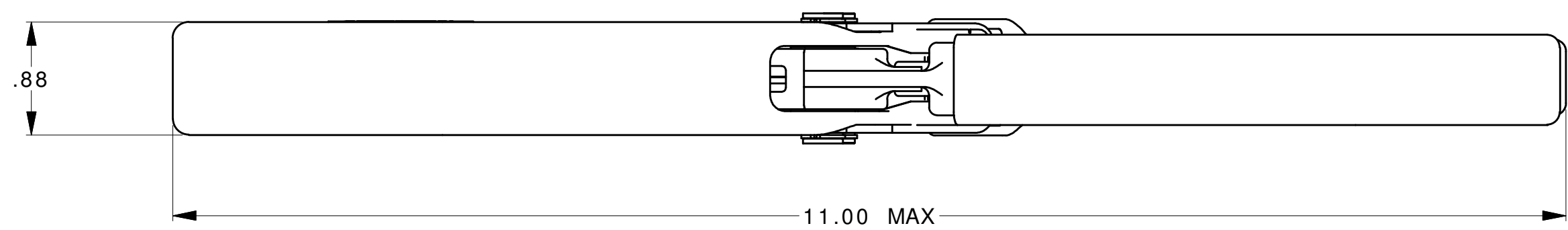
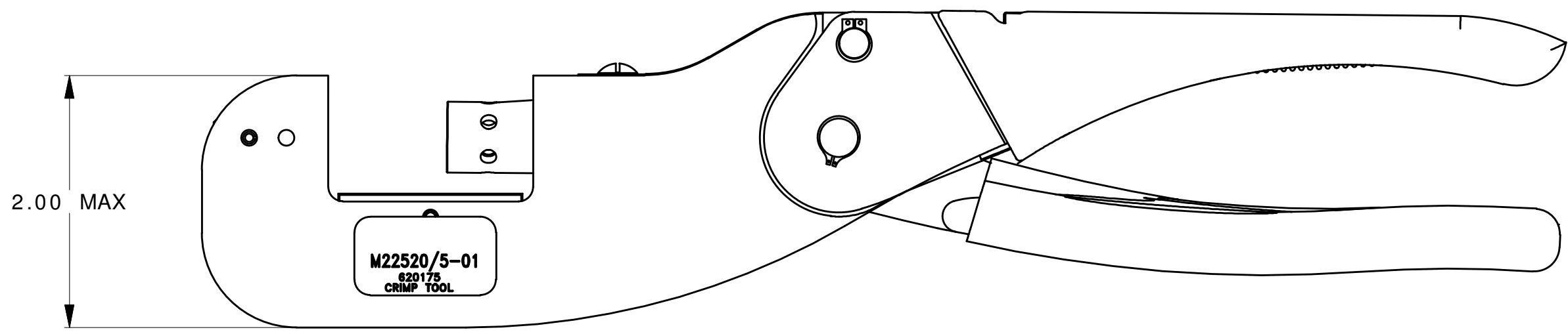


REVISIONS				
REV SYM	ECO NUMBER	DESCRIPTION	BY DATE	APP'D DATE
A		INITIAL RELEASE	MMK 06/09/09	DYO 06/09/09



<p>THESE DRAWINGS, SPECIFICATIONS OR OTHER DATA ARE THE PROPERTY OF ASTRO TOOL CORP. AND MUST BE RETURNED UPON REQUEST. THEY CONTAIN INFORMATION OWNED AND/OR DEVELOPED BY ASTRO AT ITS OWN PRIVATE EXPENSE AND MAY NOT BE USED, DUPLICATED OR DISCLOSED TO OTHERS, IN WHOLE OR IN PART FOR DESIGN, MANUFACTURE, OR PROCUREMENT WITHOUT THE WRITTEN PERMISSION OF ASTRO TOOL CORP. EACH AND EVERY TIME.</p> <p>CREATED FROM AN INVENTOR MODEL. CHANGES MUST BE REFLECTED IN THE 3D PART</p> <p>DO NOT SCALE DRAWING</p>	MATERIAL	N/ A	ITEM	PART NO.	QTY.	DESCRIPTION/ REMARKS
	HEAT TREAT	N/ A	DRN.	J. MATTHEWS	DATE	06/09/09
	FINISH	N/ A	CHK'D.	DYO	DATE	06/09/09
	TOLERANCE:		APP'D.	DATE	TITLE	
		APP'D.	DATE	ENVELOPE DRAWING HEX DIE CRIMP TOOL REF:M22520/ 5- 01		
		WHERE USED:		SIZE	SCALE	CAD P/ N
				B	1:1	C- 620175- ENV
				POSTING	P/ N	SHEET OF
					620175- ENV	1 OF 1
						REV.
						A



CAGE 58164