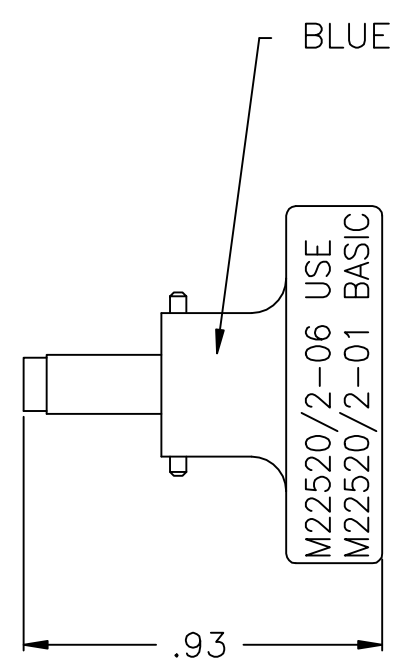
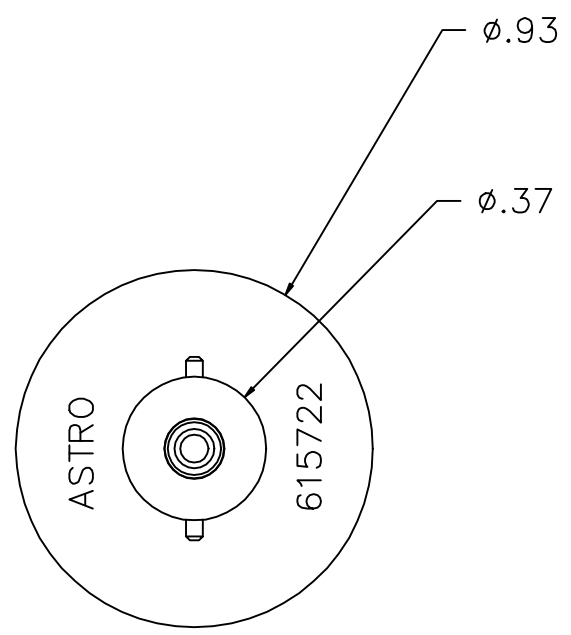
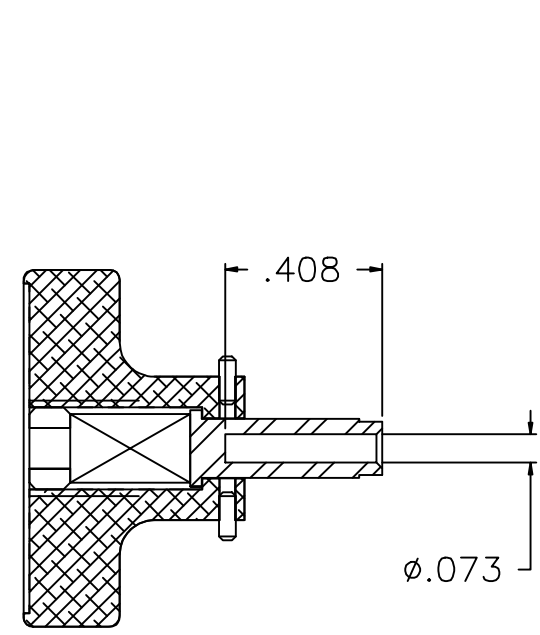


USE WITH CONTACTS

WIRE	22	24	26	28
-22 SEL.	4	3	2	
-22M SEL.	4	3	2	
-22D SEL.	4	3	2	1

MS27492-22, -22M, -22D
MS27491-22, -22M, -22D
M24308/12-1



**UNCONTROLLED DOCUMENT
WILL NOT BE UPDATED**

NOTES: 1. THIS IS AN ACAD DRAWING DO NOT CHANGE MANUALLY.

THESE DRAWINGS, SPECIFICATIONS OR OTHER DATA ARE AND REMAIN THE PROPERTY OF ASTRO TOOL CORP. AND MUST BE RETURNED UPON REQUEST. THEY CONTAIN INFORMATION OWNED AND/OR DEVELOPED BY ASTRO AT ITS OWN PRIVATE EXPENSE AND MAY NOT BE USED, DUPLICATED OR DISCLOSED TO OTHERS, IN WHOLE OR IN PART FOR DESIGN, MANUFACTURE OR PROCUREMENT WITHOUT THE WRITTEN PERMISSION OF ASTRO TOOL CORP. EACH AND EVERY TIME.					SCALE:	UNLESS OTHERWISE SPECIFIED: DECIMALS: .XXX ± .005 .XX ± .010 .X ± .030 ANGLES: ± 1°	21615 S.W. TUALATIN VALLEY HWY., BEAVERTON OR 97006	CAGE 58164
					N.T.S.			DESCRIPTION: ENVELOPE DRAWING: 615722 POSITIONER (M22520/2-06)
A NEW RELEASE.					DY0	DATE: 06-24-09	PART NO. B 615722-ENV	
REV.	DESCRIPTION	BY	DATE	APR.				