
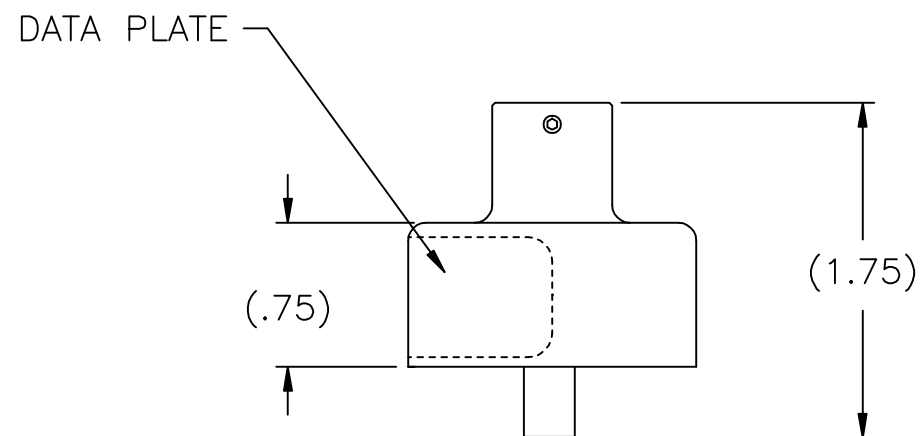
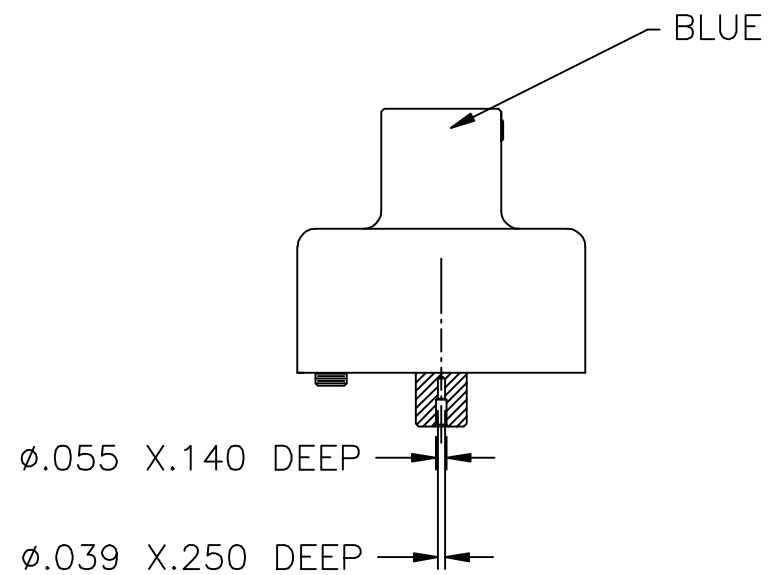
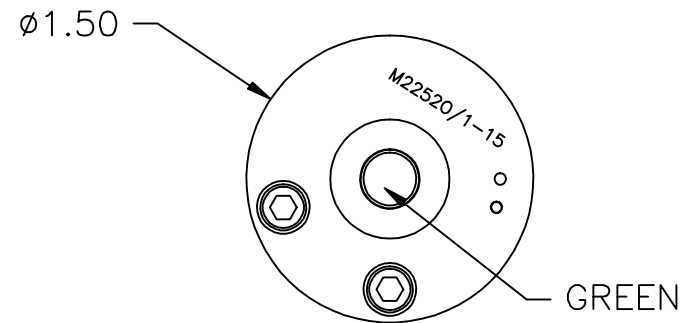



**UNCONTROLLED DOCUMENT  
WILL NOT BE UPDATED**

 ASTRO TOOL CORP. CAGE 58164 BEAVERTON, OREGON USA <b>M22520/1-15</b> 616410 USE WITH M22520/1-01 BASIC TOOL	M39012/55-4502	RG142B/U	WIRE
	M39012/57-4502	RG400/U	SIZE
	M39012/58-4502	3	SELECTOR
	M39012/59-4502		

DATA PLATE



NOTES: 1. THIS IS AN AUTOCAD DRAWING DO NOT CHANGE MANUALLY.

					THESE DRAWINGS, SPECIFICATIONS OR OTHER DATA ARE AND REMAIN THE PROPERTY OF ASTRO TOOL CORP. AND MUST BE RETURNED UPON REQUEST. THEY CONTAIN INFORMATION OWNED AND/OR DEVELOPED BY ASTRO AT ITS OWN PRIVATE EXPENSE AND MAY NOT BE USED, DUPLICATED OR DISCLOSED TO OTHERS, IN WHOLE OR IN PART FOR DESIGN, MANUFACTURE OR PROCUREMENT WITHOUT THE WRITTEN PERMISSION OF ASTRO TOOL CORP. EACH AND EVERY TIME.	SCALE:	UNLESS OTHERWISE SPECIFIED: DECIMALS: .XXX ± .005 .XX ± .010 .X ± .030 ANGLES: ± 1°	 CAGE 58164	
A NEW RELEASE						DWN BY:		21615 S.W. TUALATIN VALLEY HWY., BEAVERTON OR 97006	
						DATE:		DESCRIPTION: ENVELOPE DRAWING: 616410 POSITIONER, M22520/1-15	
REV.	DESCRIPTION	BY	DATE	APR.		APPROVED:		PART NO.	B