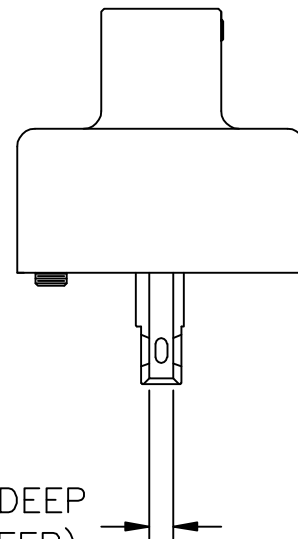
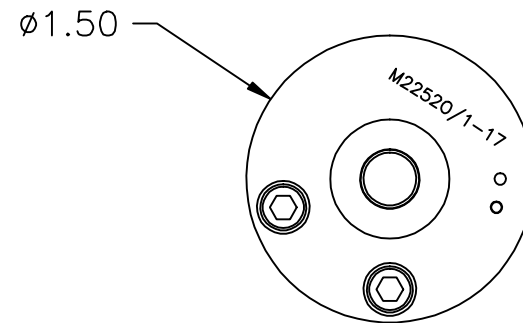


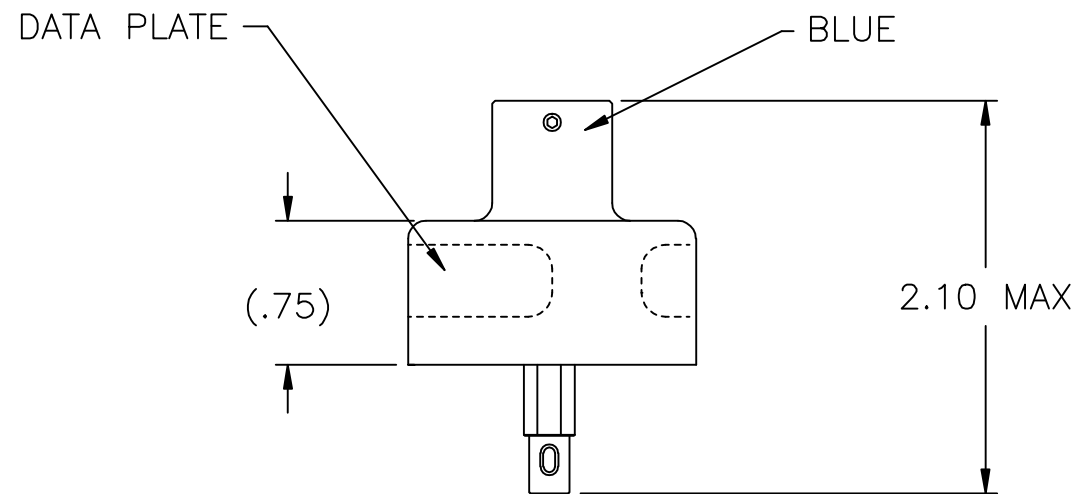
**UNCONTROLLED DOCUMENT
WILL NOT BE UPDATED**


CONTACTS		WIRE RANGE	28	26	24	22	20	18	16	WIRE SIZE
M39029/69-1	M39029/70-1	24-28	1	2	3					SEL. NO.
M39029/69-2	M39029/70-2	20-24			3	4	5			
M39029/69-3	M39029/70-3	16-20					5	6	7	

DATA PLATE



(□ ϕ .125 X .76 DEEP
□ ϕ .078 X.79 DEEP)



					THESE DRAWINGS, SPECIFICATIONS OR OTHER DATA ARE AND REMAIN THE PROPERTY OF ASTRO TOOL CORP. AND MUST BE RETURNED UPON REQUEST. THEY CONTAIN INFORMATION OWNED AND/OR DEVELOPED BY ASTRO AT ITS OWN PRIVATE EXPENSE AND MAY NOT BE USED, DUPLICATED OR DISCLOSED TO OTHERS, IN WHOLE OR IN PART FOR DESIGN, MANUFACTURE OR PROCUREMENT WITHOUT THE WRITTEN PERMISSION OF ASTRO TOOL CORP. EACH AND EVERY TIME.	SCALE: N.T.S.	UNLESS OTHERWISE SPECIFIED: DECIMALS: .XXX \pm .005 .XX \pm .010 .X \pm .030 ANGLES: \pm 1°	 21615 S.W. TUALATIN VALLEY HWY., BEAVERTON OR 97006 CAGE 58164
A	NEW RELEASE				DYO	DWN BY: DYO		
					10-26-11	DATE: 10-26-11		
REV.	DESCRIPTION	BY	DATE	APR.		APPROVED:	DESCRIPTION: ENVELOPE DRAWING: 620537 POSITIONER, M22520/1-17	PART NO. B 620537-ENV

NOTES: 1. THIS IS AN AUTOCAD DRAWING DO NOT CHANGE MANUALLY.