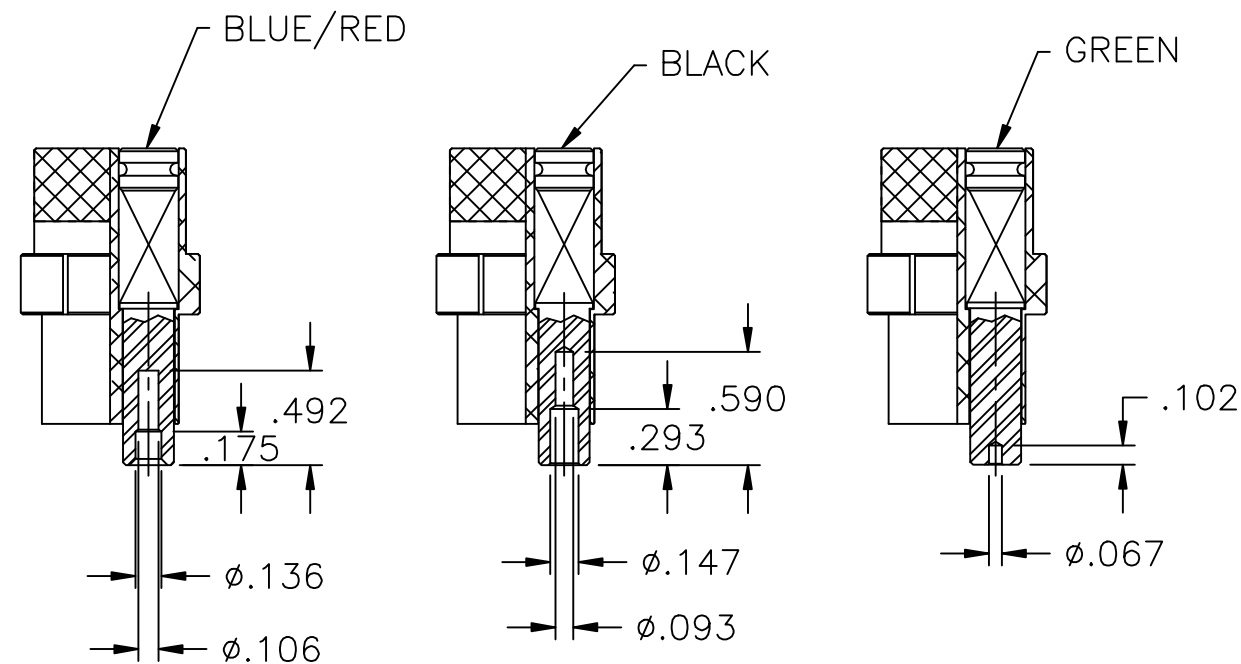
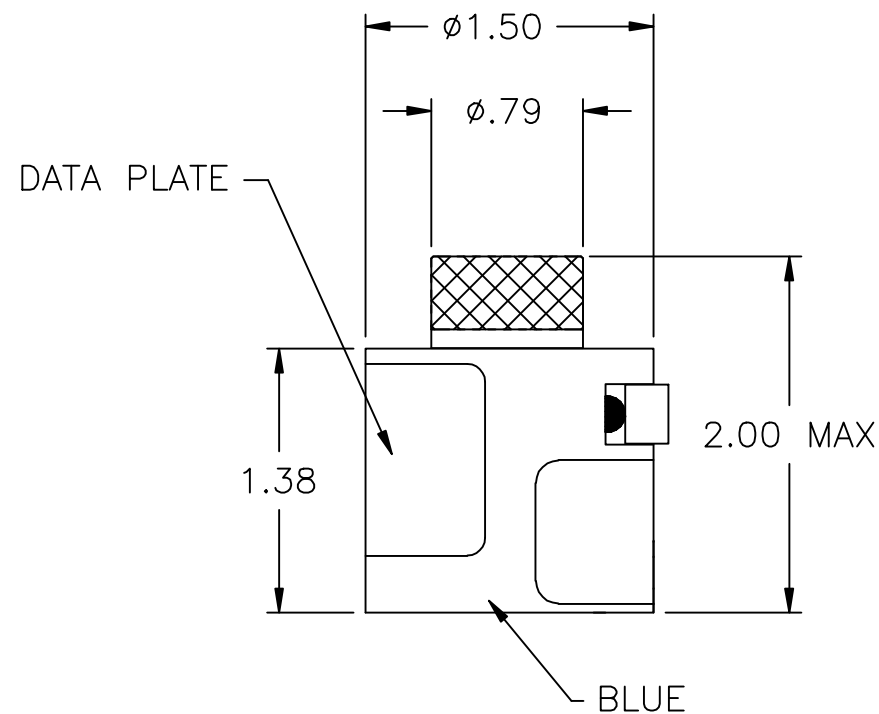
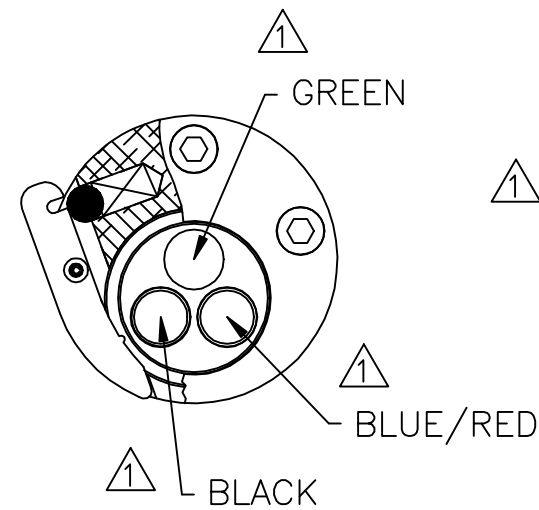


CONTACT	POSITIONER COLOR	26	24	22	20	18	16	WIRE SIZE
MS 17803 04, 07, 08	16 BLUE				6	7	7	SELECTOR SETTING
	20 RED		4	5	6			
OS 12814 BASIC TYPE P AND M	16 BLACK				4	5	6	SELECTOR SETTING
	22 BLACK	2	3	4				
M21097/9-01	20 GREEN	1	2	3	4			

DATA PLATE



TYPICAL CONSTRUCTION  
DIAMETERS ARE MEASURED FROM TOP OF  
POSITIONER INSERTS

**UNCONTROLLED DOCUMENT  
WILL NOT BE UPDATED**

NOTES: 1. THIS IS AN AUTOCAD DRAWING DO NOT CHANGE MANUALLY.

REV.	DESCRIPTION	BY	DATE	APR.	THESE DRAWINGS, SPECIFICATIONS OR OTHER DATA ARE AND REMAIN, THE PROPERTY OF ASTRO TOOL CORP. AND MUST BE RETURNED UPON REQUEST. THEY CONTAIN INFORMATION OWNED AND/OR DEVELOPED BY ASTRO AT ITS OWN PRIVATE EXPENSE AND MAY NOT BE USED, DUPLICATED OR DISCLOSED TO OTHERS, IN WHOLE OR IN PART FOR DESIGN, MANUFACTURE OR PROCUREMENT WITHOUT THE WRITTEN PERMISSION OF ASTRO TOOL CORP. EACH AND EVERY TIME.	SCALE: N.T.S.	UNLESS OTHERWISE SPECIFIED: DECIMALS: .XXX ± .005 .XX ± .010 .X ± .030 ANGLES: ± 1°	21615 S.W. TUALATIN VALLEY HWY., BEAVERTON OR 97006	CAGE 58164
A	NEW RELEASE.	DYO	12-14-09	MMK		DWN BY: DYO DATE: 12-11-09 APPROVED:			DESCRIPTION: ENVELOPE DRAWING: 615710 TURRET ASSEMBLY, M22520/1-03