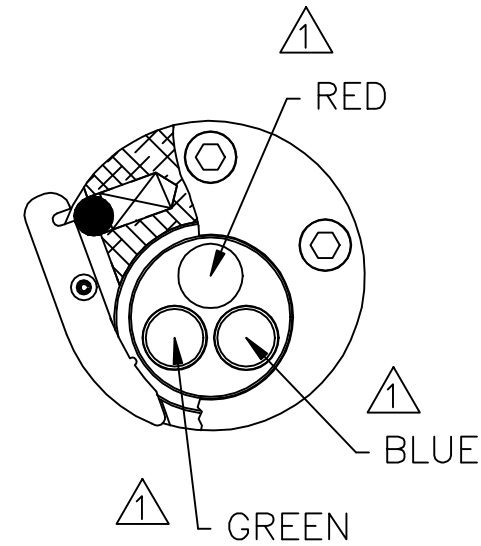
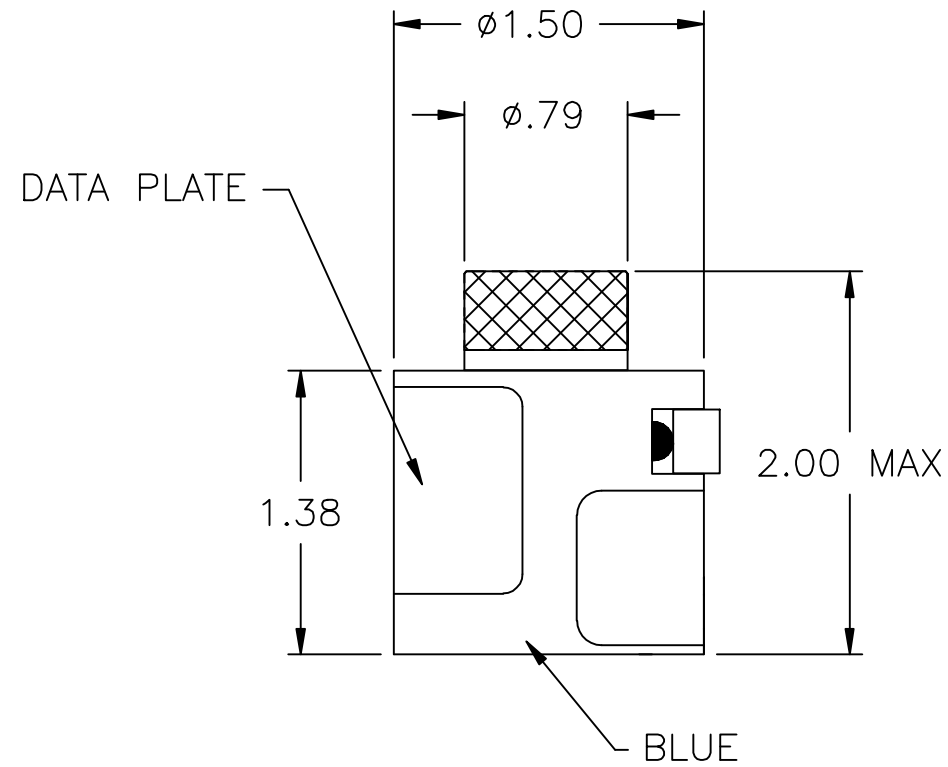


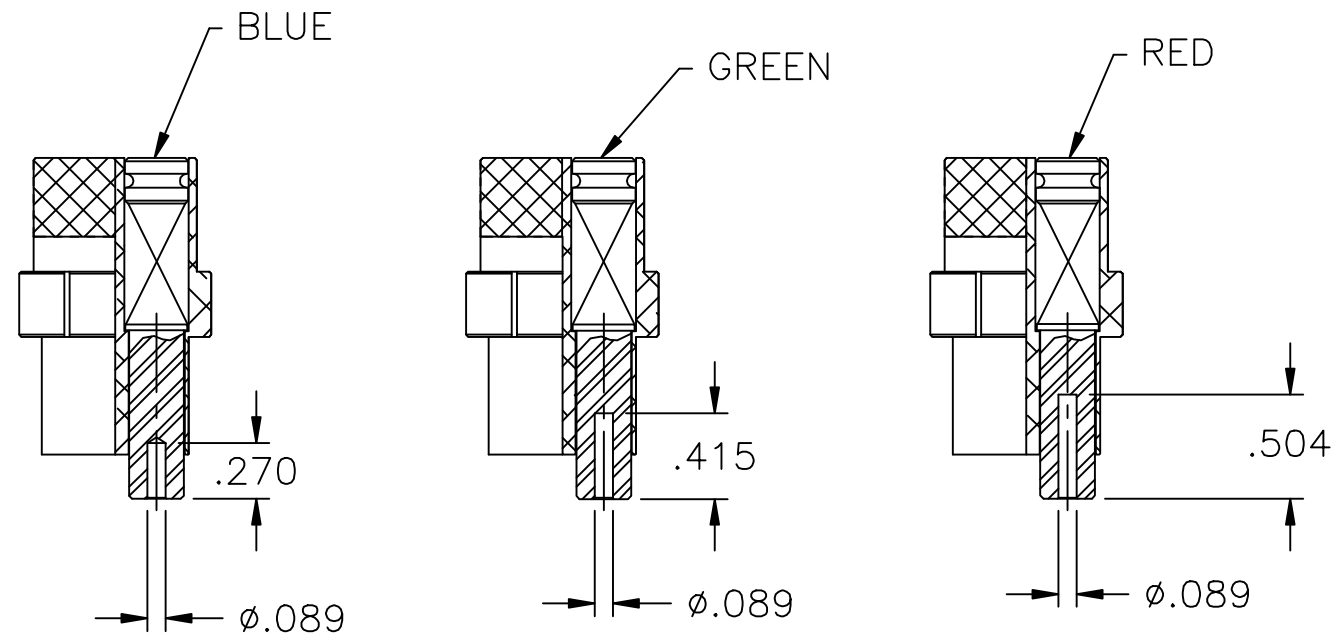
M39012/	POSITIONER COLOR	RG 122/U	RG 142B/U	RG 180/U	RG 195/U	RG 400/U	CABLE SIZE
16-0503, 26-0503	BLUE	5		3	3		5
16-0502, 26-0502		6					
17-0502, 27-0502		6		3	3		5
17-0501, 27-0501		6		5			
17-0503, 27-0503		6		5	3	3	5
18-0501, 28-0501	GREEN	6		5			
18-0502, 28-0502		6		5	3	3	5
18-0503, 28-0503	RED	6		5			
19-0501, 29-0501		6		5	3	3	5
19-0502, 29-0502		6		5	3	3	5

**UNCONTROLLED DOCUMENT
WILL NOT BE UPDATED**

DATA PLATE



1
RANDOM ORDER OF ROTATION IS ACCEPTABLE



TYPICAL CONSTRUCTION

THESE DRAWINGS, SPECIFICATIONS OR OTHER DATA ARE AND REMAIN, THE PROPERTY OF ASTRO TOOL CORP. AND MUST BE RETURNED UPON REQUEST. THEY CONTAIN INFORMATION OWNED AND/OR DEVELOPED BY ASTRO AT ITS OWN PRIVATE EXPENSE AND MAY NOT BE USED, DUPLICATED OR DISCLOSED TO OTHERS, IN WHOLE OR IN PART FOR DESIGN, MANUFACTURE OR PROCUREMENT WITHOUT THE WRITTEN PERMISSION OF ASTRO TOOL CORP. EACH AND EVERY TIME.

SCALE: N.T.S.
DWN BY: DYO
DATE: 01-06-10
APPROVED:

UNLESS OTHERWISE SPECIFIED:
DECIMALS:
.XXX ± .005
.XX ± .010
.X ± .030
ANGLES: ± 1°

ASTRO TOOL CORP.
21615 S.W. TUALATIN VALLEY HWY., BEAVERTON OR 97006

DESCRIPTION: ENVELOPE DRAWING: 616407
TURRET ASSEMBLY, M22520/1-12

PART NO. B 616407-ENV

CAGE 58164

REV.	DESCRIPTION	BY	DATE	APR.
A	NEW RELEASE.	DYO	01-06-10	MMK

NOTES: 1. THIS IS AN AUTOCAD DRAWING DO NOT CHANGE MANUALLY.