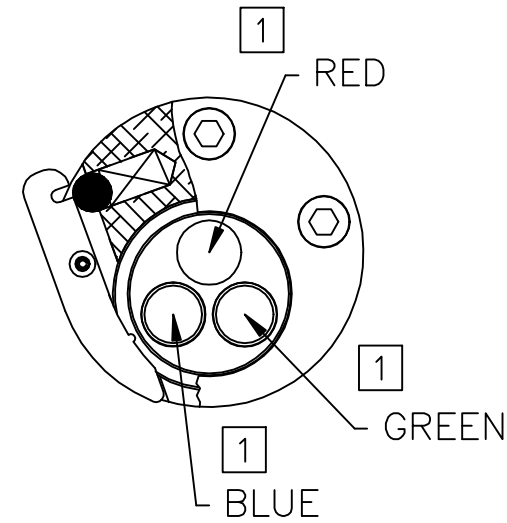
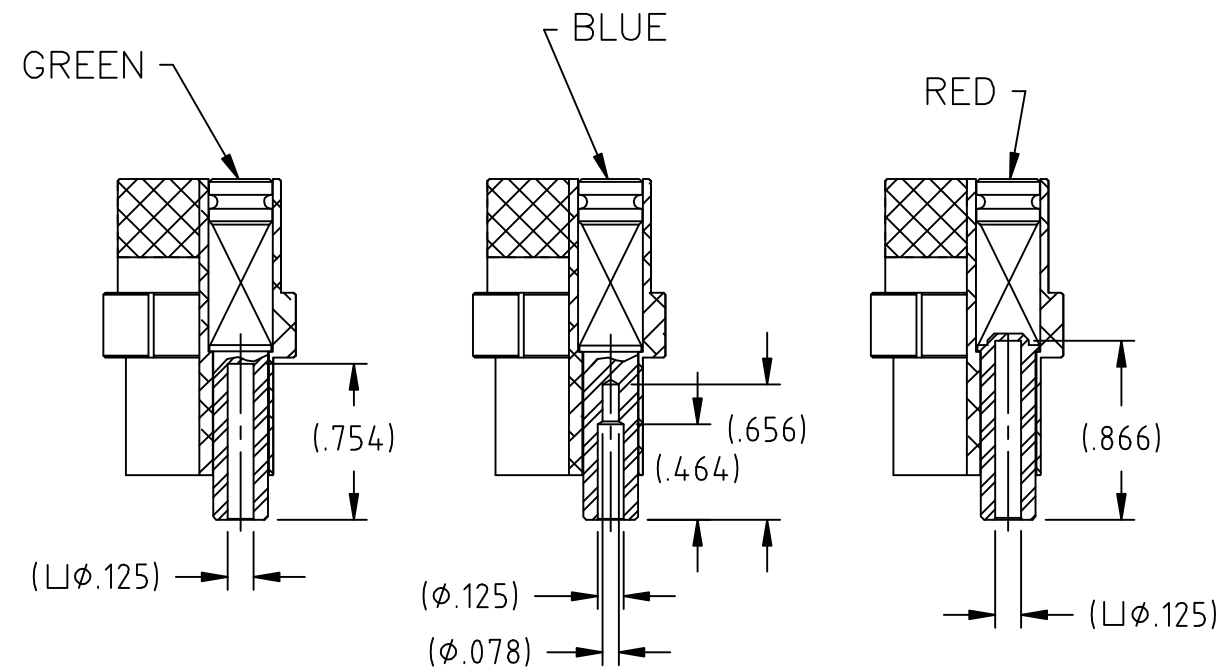
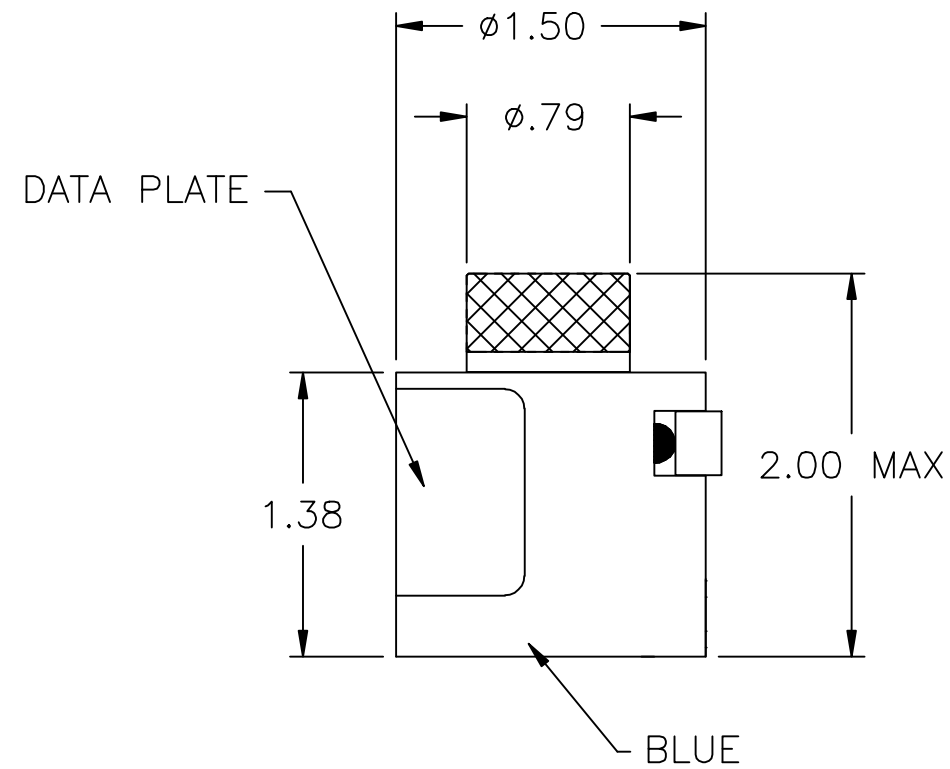


**UNCONTROLLED DOCUMENT  
WILL NOT BE UPDATED**



1  
RANDOM ORDER OF ROTATION IS  
ACCEPTABLE



TYPICAL CONSTRUCTION

M39012/	POSITIONER COLOR	RG 142B/U	RG 213/U	RG 214/U	RG 225/U	RG 393/U	RG 400/U	CABLE SIZE	SELECTOR SETTING
03-0501	GREEN		8						
03-0502		7						7	
03-0503									
35-0501	BLUE			8	8	8			
36-0501									
38-0501		7						7	
35-0503	RED								
36-0503				8	8	8			
38-0503		7						7	
40-0501									
40-0503		7						7	

DATA PLATE

THESE DRAWINGS, SPECIFICATIONS OR OTHER DATA ARE AND REMAIN, THE PROPERTY OF ASTRO TOOL CORP. AND MUST BE RETURNED UPON REQUEST. THEY CONTAIN INFORMATION OWNED AND/OR DEVELOPED BY ASTRO AT ITS OWN PRIVATE EXPENSE AND MAY NOT BE USED, DUPLICATED OR DISCLOSED TO OTHERS, IN WHOLE OR IN PART FOR DESIGN, MANUFACTURE OR PROCUREMENT WITHOUT THE WRITTEN PERMISSION OF ASTRO TOOL CORP. EACH AND EVERY TIME.

SCALE:  
N.T.S.  
DWN BY:  
DYO  
DATE:  
10-28-11  
APPROVED:

UNLESS OTHERWISE SPECIFIED:  
DECIMALS:  
.XXX ± .005  
.XX ± .010  
.X ± .030  
ANGLES:  
± 1°

**ASTRO TOOL CORP.**  
21615 S.W. TUALATIN VALLEY HWY., BEAVERTON OR 97006

DESCRIPTION: ENVELOPE DRAWING: 616409  
TURRET ASSEMBLY, M22520/1-14

PART NO. B 616409-ENV

CAGE 58164

REV.	DESCRIPTION	BY	DATE	APR.
	A NEW RELEASE.	DYO	10-28-11	MMK

NOTES: 1. THIS IS AN AUTOCAD DRAWING DO NOT CHANGE MANUALLY.