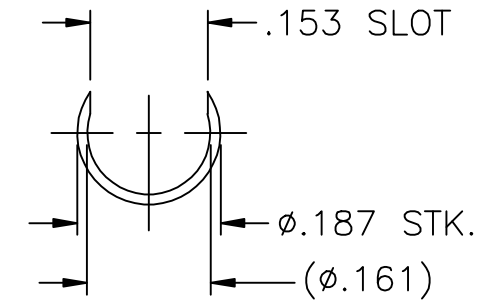


3 - GUIDE PINS

**UNCONTROLLED DOCUMENT  
WILL NOT BE UPDATED**



SECTION A-A

3. COLOR CODE: YELLOW.

2. GUIDE PIN (QTY 3) TO BE SUPPLIED WITH TOOL AS SEPARATE ITEM.

NOTES: 1. THIS IS AN AUTOCAD DRAWING DO NOT CHANGE MANUALLY.

					<p>THESE DRAWINGS, SPECIFICATIONS OR OTHER DATA ARE AND REMAIN THE PROPERTY OF ASTRO TOOL CORP. AND MUST BE RETURNED UPON REQUEST. THEY CONTAIN INFORMATION OWNED AND/OR DEVELOPED BY ASTRO AT ITS OWN PRIVATE EXPENSE AND MAY NOT BE USED, DUPLICATED OR DISCLOSED TO OTHERS, IN WHOLE OR IN PART FOR DESIGN, MANUFACTURE OR PROCUREMENT WITHOUT THE WRITTEN PERMISSION OF ASTRO TOOL CORP. EACH AND EVERY TIME.</p>	<p>SCALE: N.T.S. DWN BY: DGMc DATE: 08-08-13 APPROVED:</p>	<p>UNLESS OTHERWISE SPECIFIED: DECIMALS: .XXX ± .005 .XX ± .010 .X ± .030 ANGLES: ± 1°</p>	<p>CAGE 58164 ASTRO TOOL CORP. 21615 S.W. TUALATIN VALLEY HWY., BEAVERTON OR 97006</p>
REV.	DESCRIPTION	BY	DATE	APR.				DESCRIPTION: ENVELOPE DRAWING: ATC 1160 INSERTION TOOL
A	NEW RELEASE.	DYO	08-08-13	MMK				PART NO. B ATC 1160-ENV