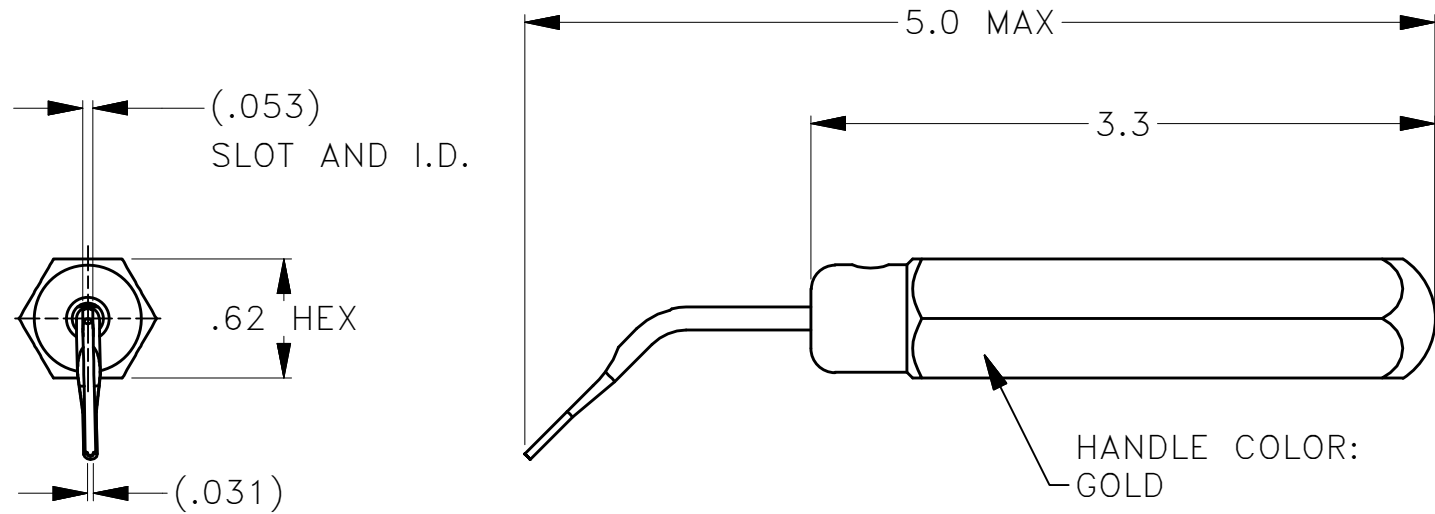


# UNCONTROLLED DOCUMENT WILL NOT BE UPDATED

REVISIONS ATD1035-135-ENV				
REV SYM	ECO NUMBER	DESCRIPTION	BY DATE	APP'D DATE
A		NEW RELEASE	JM 03-07-11	MK 03-07-11



**NOTES:**

1. THIS IS AN ICAD DRAWING DO NOT MANUALLY CHANGE.
2. ASSEMBLE AS SHOWN.

THESE DRAWINGS, SPECIFICATIONS OR OTHER DATA ARE AND REMAIN, THE PROPERTY OF ASTRO TOOL CORP. AND MUST BE RETURNED UPON REQUEST. THEY CONTAIN INFORMATION OWNED AND/OR DEVELOPED BY ASTRO AT ITS OWN PRIVATE EXPENSE AND MAY NOT BE USED, DUPLICATED OR DISCLOSED TO OTHERS, IN WHOLE OR IN PART FOR DESIGN, MANUFACTURE, OR PROCUREMENT WITHOUT THE WRITTEN PERMISSION OF ASTRO TOOL CORP. EACH AND EVERY TIME.	MATERIAL	ITEM	PART NO.	QTY.	DESCRIPTION/REMARKS		
	SEE B.O.M.	DRN. J. MATTHEWS	DATE 03-18-09	CAGE 58164			
HEAT TREAT  N/A	FINISH  N/A	CHK'D. M.KANETOMI	DATE 03-18-09	21615 S.W. THIALATIN VALLEY HWY., BEAVERTON OR 97006			
		APP'D.	DATE	TITLE ENVELOPE DWG: ATD 1035-135 INSERTION TOOL, 22 GAGE			
CREATED FROM AN INVENTOR MODEL. CHANGES MUST BE REFLECTED IN THE 3D PART	TOLERANCE: UNLESS OTHERWISE SPECIFIED FRACTIONS ± 1/32 ANGLES ± 1' DECIMAL INCHES: .X ± .030 .XX ± .010 .XXX ± .005 .XXXX ± .0005 REMOVE BURRS AND BREAK SHARP EDGES .005-.015		WHERE USED:	SIZE A	SCALE 1/1	CAD P/N	SHEET OF 1 1
DO NOT SCALE DRAWING			POSTING	P/N	ATD1035-135-ENV		REV. A