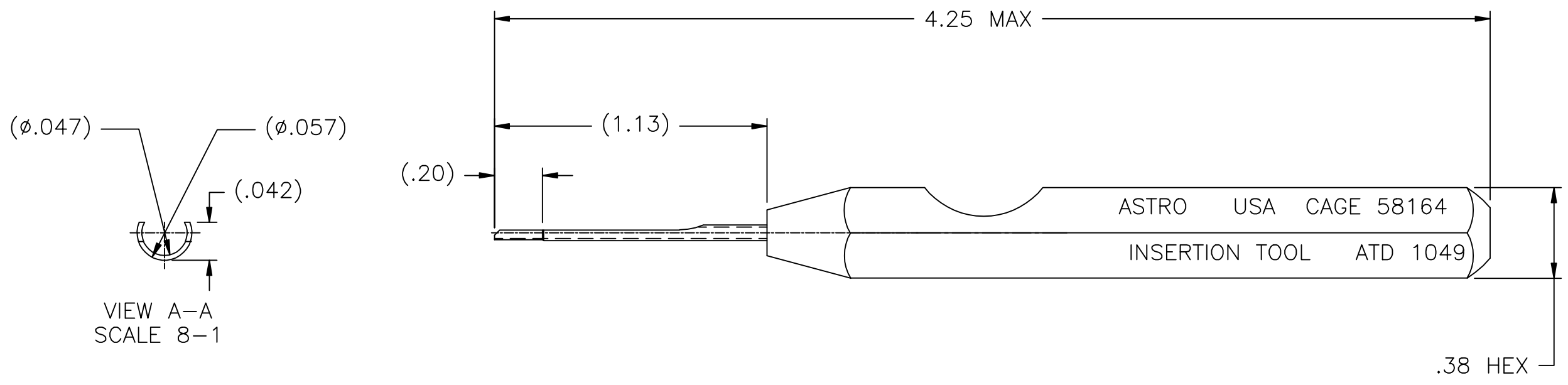



**UNCONTROLLED DOCUMENT  
WILL NOT BE UPDATED**



2. COLOR CODE: YELLOW.  
NOTES: 1. THIS IS AN AUTOCAD DRAWING, DO NOT CHANGE MANUALLY.

				THESE DRAWINGS, SPECIFICATIONS OR OTHER DATA ARE AND REMAIN, THE PROPERTY OF ASTRO TOOL CORP. AND MUST BE RETURNED UPON REQUEST. THEY CONTAIN INFORMATION OWNED AND/OR DEVELOPED BY ASTRO AT ITS OWN PRIVATE EXPENSE AND MAY NOT BE USED, DUPLICATED OR DISCLOSED TO OTHERS, IN WHOLE OR IN PART FOR DESIGN, MANUFACTURE OR PROCUREMENT WITHOUT THE WRITTEN PERMISSION OF ASTRO TOOL CORP. EACH AND EVERY TIME.	SCALE:	UNLESS OTHERWISE SPECIFIED: DECIMALS: .XXX ± .005 .XX ± .010 .X ± .030 ANGLES: ± 1°	 CAGE 58164 21615 S.W. TUALATIN VALLEY HWY., BEAVERTON OR 97006
A NEW RELEASE					DWN BY:		
				DATE:	DYO	DESCRIPTION	
				APPROVED:	05-22-12	ENVELOPE DRAWING: ATD 1049 INSERTION TOOL 22 GA.	
REV.	DESCRIPTION	BY	DATE	APR.	PART NO. B ATD 1049-ENV		