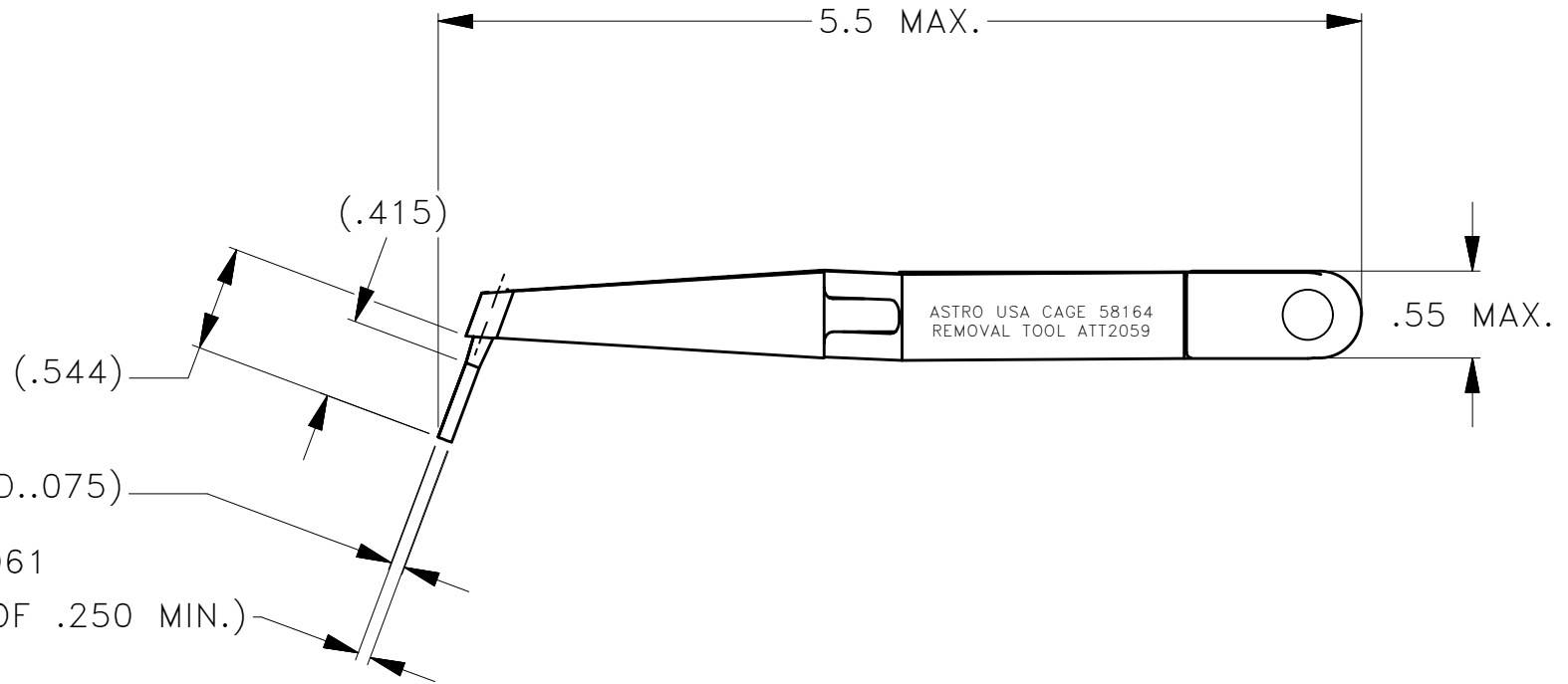


**UNCONTROLLED DOCUMENT**  
**WILL NOT BE UPDATED**

REVISIONS		ATT 2059-ENV		
REV SYM	ECO NUMBER	DESCRIPTION	BY DATE	APP'D DATE
A		NEW RELEASE	DYO 09-09-10	MK 09-09-10




NOTES:

1. THIS IS AN ICAD DRAWING DO NOT MANUALLY CHANGE.
2. COLOR CODE: BROWN, WHITE.

THESE DRAWINGS, SPECIFICATIONS OR OTHER DATA ARE AND REMAIN, THE PROPERTY OF ASTRO TOOL CORP. AND MUST BE RETURNED UPON REQUEST. THEY CONTAIN INFORMATION OWNED AND/OR DEVELOPED BY ASTRO AT ITS OWN PRIVATE EXPENSE AND MAY NOT BE USED, DUPLICATED OR DISCLOSED TO OTHERS, IN WHOLE OR IN PART FOR DESIGN, MANUFACTURE, OR PROCUREMENT WITHOUT THE WRITTEN PERMISSION OF ASTRO TOOL CORP. EACH AND EVERY TIME.

CREATED FROM AN INVENTOR MODEL. CHANGES MUST BE REFLECTED IN THE 3D PART

DO NOT SCALE DRAWING

MATERIAL	ITEM	PART NO.	QTY.	DESCRIPTION/REMARKS
--	DRN. J. MATTHEWS	DATE 03-18-09		CAGE 58164
	CHK'D. M.KANETOMI	DATE 03-18-09		 ASTRO TOOL CORP. 21615 S.W. THIALATIN VALLEY HWY., BEAVERTON OR 97006
HEAT TREAT	APP'D.	DATE	TITLE	
N/A	APP'D.	DATE	ENVELOPE DRAWING: ATT 2059 TWEEZER, REMOVAL	
FINISH	TOLERANCE: UNLESS OTHERWISE SPECIFIED FRACTIONS ± 1/32 ANGLES ± 1' DECIMAL INCHES: .X ± .030 .XX ± .010 .XXX ± .005 .XXXX ± .0005 REMOVE BURRS AND BREAK SHARP EDGES .005-.015		WHERE USED:	
N/A	SIZE	SCALE	CAD P/N	SHEET OF
	A	N.T.S.	--	1 1
	POSTING	P/N	REV.	
		ATT 2059-ENV	A	