

C7 - SERIES

SPECIFICATIONS AND ORDERING INFORMATION

2 1/32" DIAMETER 1.0 AMP @ 28 VDC

The C7 Series provides a fully enclosed, modular design that enables switching up to 24 positions. Our standard design offers 15° indexing, and solder lug terminals.



SPECIFICATIONS

ELECTRICAL

Current and Voltage Rating: Make and break resistive load
1.0 amp @ 28 VDC; 0.5 amp @ 125 VAC.
Current Carrying Capacity: 25 amps.
Dielectric Strength: 1,000 VAC between current carrying parts and ground.
Contact Resistance: Average initial 3 milliohms.
Insulation Resistance: In excess of 10,000 megohms.

Hardware: Mounting nut and lockwasher are shipped assembled.

MECHANICAL

Materials and Finishes: All parts utilize non-corrosive materials as standard.
Terminals and Contacts: Brass with silver plate as standard.
Insulation: Diallyl phthalate.
Index: Single-ball, hill and valley.
Index Life: 25,000 cycles minimum.
Index Torque: Switches have lowest practical torque consistent with crisp detenting and smooth, reliable operation.
Index Angles: 15° standard, 30°, 60°, and 90° available.
Index Stops: Fixed standard, continuous, or adj. available.
Stop Strength: 25 in. lbs. minimum.

STANDARD PART NUMBER

15° INDEXING - FIXED STOPS SOLDER LUG TERMINALS

POLES	ACTIVE POSITIONS	POLES/ DECK	NO. OF DECKS	SHORTING	NON-SHORTING	FIG. *
01	23	1	1	C7D0123S	C7D0123N	CF
02	23	1	2	C7D0223S	C7D0223N	CF
03	23	1	3	C7D0323S	C7D0323N	CF
04	23	1	4	C7D0423S	C7D0423N	CF

30° INDEXING

POLES	ACTIVE POSITIONS	POLES/ DECK	NO. OF DECKS	SHORTING	NON-SHORTING	FIG. *
01	12	1	1	C7D0112S -30	C7D0112N -30	CA
02	12	1	2	C7D0212S -30	C7D0212N -30	CA
03	12	1	3	C7D0312S -30	C7D0312N -30	CA

15° INDEXING - CONTINUOUS ROTATION SOLDER LUG TERMINALS

POLES	ACTIVE POSITIONS	POLES/ DECK	NO. OF DECKS	SHORTING	NON-SHORTING	FIG. *
01	24	1	1	C7D0124S - C	C7D0124N - C	CG
02	24	1	2	C7D0224S - C	C7D0224N - C	CG
03	24	1	3	C7D0324S - C	C7D0324N - C	CG
04	24	1	4	C7D0424S - C	C7D0424N - C	CG

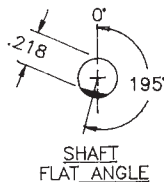
30° INDEXING

POLES	ACTIVE POSITIONS	POLES/ DECK	NO. OF DECKS	SHORTING	NON-SHORTING	FIG. *
01	12	1	1	C7D0112S -30C	C7D0112N -30C	CA
02	12	1	2	C7D0212S -30C	C7D0212N -30C	CA
03	12	1	3	C7D0312S -30C	C7D0312N -30C	CA

* FIGURES ARE SHOWN ON PAGE 55.

DIMENSIONS

STANDARD CONSTRUCTION - 15° INDEX ANGLE (3 WAFER DECK)



- NOTE:
- ONE DECK EQUALS THREE WAFERS.
 - ADD .468" FOR EACH ADDITIONAL DECK.



How to Order Additional Options:

2 DIGIT SERIES	INSULATION TYPE	TOTAL POLES	ACTIVE POSITIONS	CONTACT TYPE	TERMINAL TYPE	INDEX ANGLE	STOP TYPE	SHAFT/BUSHING	SHAFT FLAT
C7	D - DIALLYL	01 - MIN.	24 - MAX @ 15°	S - SHORTING N - NON SHORTING	L - SOLDER LUG Q - QUICK CONNECT	15°	F - FIXED 23 - POS. MAX C - CONT. 24 - POS. MAX A - Adjustable	SEE CHART "A"	SEE CHART "B"
C7	D - DIALLYL	01 - MIN.	12 - MAX @ 30° 06 - MAX @ 60° 04 - MAX @ 90°	S - SHORTING N - NON SHORTING	L - SOLDER LUG30° Q - QUICK CONNECT	60° 90°	A23 - POS. MAX	SEE CHART "A"	SEE CHART "B"

CUSTOMERS SPECIFIED ORDER NUMBER FOR STANDARD OPTIONS				ADDITIONAL OPTIONS					
C	7	D							
		(SPECIFY)	(SPECIFY)	(SPECIFY)	(SPECIFY)	(SPECIFY)	(SPECIFY)	(SPECIFY)	(SPECIFY)

SHORTING AND NON-SHORTING SWITCHING IS NOT GUARANTEED ON THE 15° INDEXING C7 SERIES.

SHAFT AND FLAT OPTIONS

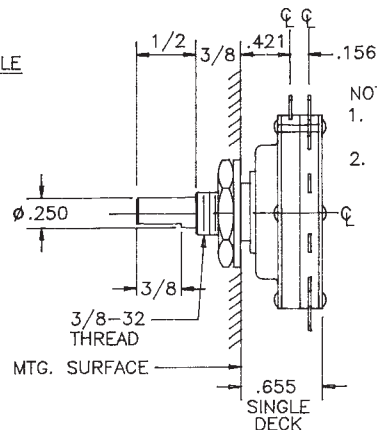
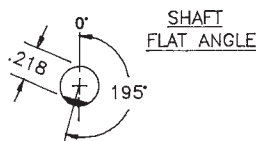
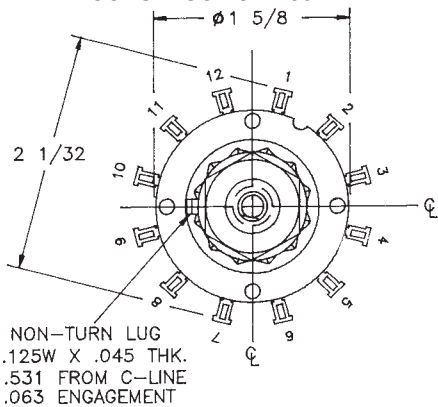
P/N OPT.	SHAFT LGTH. "A"
01	1/4
02	1/2
03	9/16
04	3/4
05	7/8
06	1

P/N OPT.	FLAT ANGLE
U	15°
W	165°
Y	195°
Z	345°

SHAFT AS VIEWED WITH NON-TURN LUG AT 9 O'CLOCK AND SHAFT IN EXTREME CCW POSITION.

DIMENSIONS

STANDARD CONSTRUCTION - 30° INDEX ANGLE (2 WAFER DECK)



- NOTE:
- ONE DECK EQUALS TWO WAFERS.
 - ADD .312" FOR EACH ADDITIONAL DECK.

CUSTOM SWITCHES ARE AVAILABLE. CONTACT THE FACTORY WITH YOUR COMPLETE SPECIFICATIONS.