

# E2 - SERIES

## SPECIFICATIONS AND ORDERING INFORMATION

Lever Action 1.5 AMPS @ 28 VDC

The E2 Series is our lever action switch, originally designed for the electric guitar market. It offers positive 2-5 position switching, a 30° or a 15° index, and solder lug terminals.



### SPECIFICATIONS

#### ELECTRICAL

**Current and Voltage Rating:** Make and break resistive load  
1.5 amps @ 28 VDC; 0.5 amp @ 115 VAC.  
**Current Carrying Capacity:** 9 amps.  
**Dielectric Strength:** 1,000 VAC between current carrying parts and ground.  
**Contact Resistance:** Average initial 3.5 milliohms.  
**Insulation Resistance:** In excess of 750,000 megohms.

#### MECHANICAL

**Materials and Finishes:** All parts utilize non-corrosive materials as standard.  
**Clips and Rotors:** Brass with silver plate as standard.  
**Insulation:** Glass epoxy.  
**Index:** Cam and roller with coil spring.  
**Index Life:** 25,000 cycles minimum.  
**Index Torque:** Switches have lowest practical torque consistent with crisp detenting and smooth, reliable operation.  
**Index Angles:** Positive 30°, 15° and spring return.  
**Index Stops:** Fixed stops standard.  
**Stop Strength:** 25 in. lbs. minimum.

### STANDARD PART NUMBER

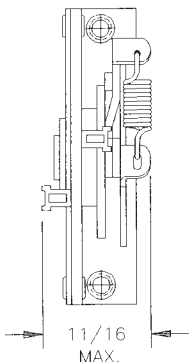
#### LEVER

SWITCHES - 30° INDEXING - FIXED STOPS - SOLDER LUG TERMINALS

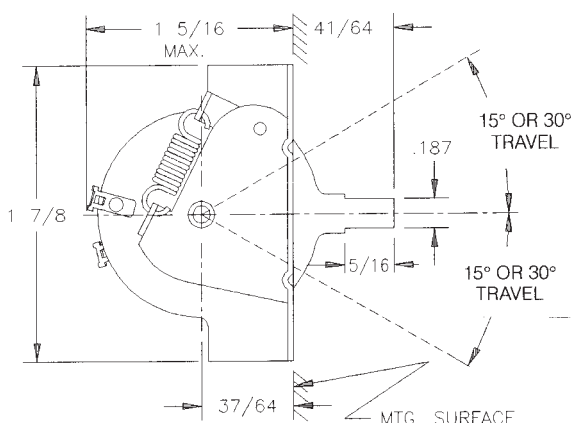
POLES	ACTIVE POSITIONS	POLES/ SECTION	NO. OF SECTIONS	SHORTING	NON-SHORTING	DESCRIPTION	DETAIL
02	03	2	1	E2G0203S-1	E2G0203N-1	..... POSITIVE INDEX ONE SIDE TO CENTER, SPRING RETURN OPPOSITE SIDE TO CENTER.	E
02	05	2	1	E2G0205S-15	-----	..... 2 POSITIVE INDEX POSITIONS BOTH SIDES OF CENTER.	E
02	03	2	1	E2G0203S	E2G0203N	..... POSITIVE INDEX BOTH SIDES OF CENTER.	E
02	03	2	1	E2G0203S-2	E2G0203N-2	..... SPRING RETURN BOTH SIDES TO CENTER.	E
04	02	4	1	E2G0402S-3	E2G0402N-3	..... SPRING RETURN TO CENTER.	E
04	02	4	1	E2G0402S	E2G0402N	..... POSITIVE INDEX.	E

### DIMENSIONS

#### STANDARD CONSTRUCTION



#### DETAIL E



#### DETAIL F

