

SPECIFICATIONS AND ORDERING INFORMATION

E3 - SERIES

1 1/2" DIAMETER 1.5 AMPS @ 28 VDC

The E3 Series was designed to provide spring return action in an open frame construction. Standard construction is available with 2 or 3 positions, 30° index, and solder lug terminals.



SPECIFICATIONS

ELECTRICAL

Current and Voltage Rating: Make and break resistive load
1.5 amps @ 28 VDC; 0.5 amp @ 115 VAC.
Current Carrying Capacity: 9 amps.
Dielectric Strength: 1,500 VAC between current carrying parts and ground.
Contact Resistance: Average initial 3.5 milliohms.
Insulation Resistance: In excess of 750,000 megohms.

Hardware: Mounting nut and lockwasher are shipped assembled.

MECHANICAL

Materials and Finishes: All parts utilize non-corrosive materials as standard.
Clips and Rotors: Brass with silver plate as standard.
Insulation: Glass epoxy.
Index: Coil spring.
Index Life: 25,000 cycles minimum.
Index Torque: Switches have lowest practical torque consistent with crisp detenting and smooth, reliable operation.
Index Angles: Positive 30° standard.
Index Stops: Fixed stops standard.
Stop Strength: 25 in. lbs. minimum.

STANDARD PART NUMBER

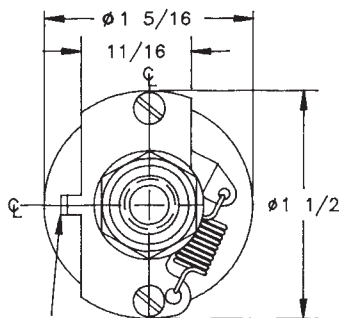
SPRING RETURN

SWITCHES - 30° INDEXING - FIXED STOPS - SOLDER LUG TERMINALS

| POLES | ACTIVE POSITIONS | POLES/ SECTION | NO. OF SECTIONS | SHORTING | NON-SHORTING | DESCRIPTION |
|-------|------------------|----------------|-----------------|------------|--------------|--|
| 04 | 02 | 4 | 1 | E3G0402S-1 | E3G0402N-1 | SPRING RETURN FROM CLOCKWISE. |
| 06 | 03 | 3 | 2 | E3G0603S-2 | E3G0603N-2 | SPRING RETURN BOTH SIDES TO CENTER. |
| 06 | 03 | 3 | 2 | E3G0603S-3 | E3G0603N-3 | SPRING RETURN CLOCKWISE TO CENTER, POSITIVE INDEX COUNTER CLOCKWISE OF CENTER. |

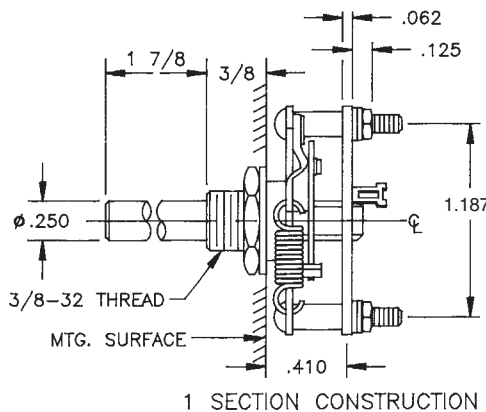
DIMENSIONS

STANDARD CONSTRUCTION

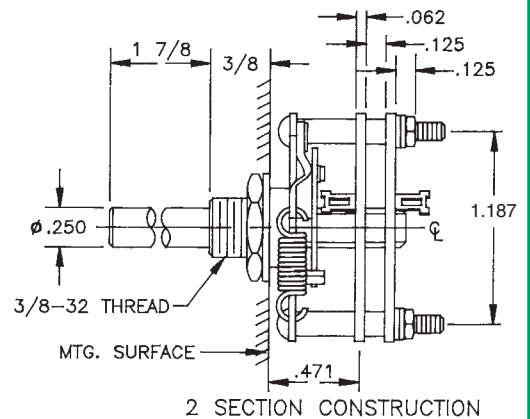


NON-TURN LUG
.125W X .042 THK.
.531 FROM C-LINE
.078 ENGAGEMENT

E3G - GLASS EPOXY CONSTRUCTION



1 SECTION CONSTRUCTION



2 SECTION CONSTRUCTION