

# M5 - SERIES

## SPECIFICATIONS AND ORDERING INFORMATION

1" DIAMETER 2.0 AMPS @ 28 VDC

The M5 Series was originally designed to meet the requirements of MIL-S-3786/4. Standard construction includes 30° indexing up to 12 positions, solder lug terminals and adjustable stops. A very reliable switch for long life.



### SPECIFICATIONS

#### ELECTRICAL

**Current and Voltage Rating:** Make and break resistive load 2.0 amps @ 28 VDC; 2.5 amp @ 120 VAC.  
**Current Carrying Capacity:** 12 amps.  
**Dielectric Strength:** 1,500 VAC between current carrying parts and ground.  
**Contact Resistance:** Average initial 5 milliohms.  
**Insulation Resistance:** In excess of 100,000 megohms

**Hardware:** Mounting nut and lockwasher are shipped assembled.

#### MECHANICAL

**Materials and Finishes:** All parts utilize non-corrosive materials as standard.  
**Terminals:** Copper alloy with silver plating as standard.  
**Insulation:** Diallyl phthalate.  
**Index:** Dual-ball, hill and valley design.  
**Index Life:** 25,000 cycles minimum.  
**Index Torque:** Switches have lowest practical torque consistent with crisp detenting and smooth, reliable operation.  
**Index Angles:** Positive 30° standard, 36°, 45°, 60°, and 90° available.  
**Index Stops:** Fixed standard, adjustable, or continuous.  
**Stop Strength:** 15 in. lbs. minimum.

### STANDARD PART NUMBER

#### ADJUSTABLE STOPS

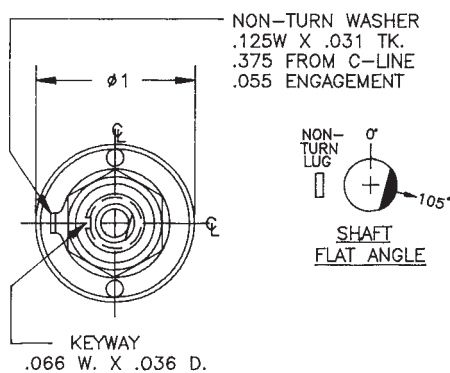
SWITCHES - 30° INDEXING - STOPS SET @ 2 POS. - SOLDER LUG TERMINALS

| POLES | ACTIVE POSITIONS | POLES/ DECK | NO. OF DECKS | SHORTING     | NON-SHORTING | FIG. ★ |
|-------|------------------|-------------|--------------|--------------|--------------|--------|
| 01    | 02-12            | 1           | 1            | M5D0112S - A | M5D0112N - A | CE     |
| 02    | 02-12            | 1           | 2            | M5D0212S - A | M5D0212N - A | CE     |
| 02    | 02-06            | 2           | 1            | M5D0206S - A | M5D0206N - A | CJ     |
| 03    | 02-12            | 1           | 3            | M5D0312S - A | M5D0312N - A | CE     |
| 04    | 02-12            | 1           | 4            | M5D0412S - A | M5D0412N - A | CE     |
| 04    | 02-06            | 2           | 2            | M5D0406S - A | M5D0406N - A | CJ     |
| 06    | 02-06            | 2           | 3            | M5D0606S - A | M5D0606N - A | CJ     |
| 08    | 02-06            | 2           | 4            | M5D0806S - A | M5D0806N - A | CJ     |

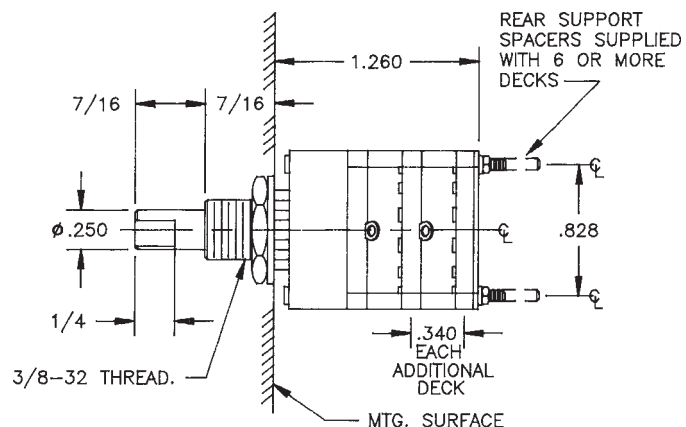
\* FIGURES ARE SHOWN ON PAGE 55.

### DIMENSIONS

#### STANDARD CONSTRUCTION



#### M5D - DIALLYL PHTHALATE CONSTRUCTION



## How to Order Additional Options:

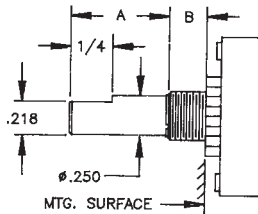
| 2 DIGIT SERIES | INSULATION TYPE | TOTAL POLES | ACTIVE POSITIONS   | CONTACT TYPE                     | INDEX ANGLE                       | STOP TYPE  | SHAFT/ BUSHING | SHAFT FLAT    |
|----------------|-----------------|-------------|--|----------------------------------|-----------------------------------|--|----------------|---------------|
| M5             | D - DIALLYL     | 01 - MIN.   | 12 - MAX @ 30°<br>10 - MAX @ 36°<br>08 - MAX @ 45°<br>06 - MAX @ 60°<br>04 - MAX @ 90° | S - SHORTING<br>N - NON SHORTING | 30°<br>36°<br>45°<br>*60°<br>*90° | F - FIXED<br>A - ADJ.<br>(30° AND 36° ONLY)<br>C - CONT. | SEE CHART "A"  | SEE CHART "B" |
|                |                 |             |  |                                  | *NOT AVAILABLE IN SHORTING        |  |                |               |

CUSTOMERS SPECIFIED ORDER NUMBER FOR STANDARD OPTIONS

|          |          |          |                      |                      |                      |                          |                          |                          |                          |                          |
|----------|----------|----------|----------------------|----------------------|----------------------|--------------------------|--------------------------|--------------------------|--------------------------|--------------------------|
| <b>M</b> | <b>5</b> | <b>D</b> | <input type="text"/> | <input type="text"/> | <input type="text"/> | <input type="checkbox"/> | <input type="checkbox"/> | <input type="checkbox"/> | <input type="checkbox"/> | <input type="checkbox"/> |
|          |          |          | (SPECIFY)            | (SPECIFY)            | (SPECIFY)            |                          | (SPECIFY)                | (SPECIFY)                | (SPECIFY)                | (SPECIFY)                |

ADDITIONAL OPTIONS

### SHAFT, BUSHING, AND FLAT OPTIONS



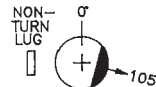
| P/N OPT. | SHAFT LGTH. "A" | BUSH. LGTH. "B" |
|----------|-----------------|-----------------|
| 01       | 7/16            | 7/16            |
| 02       | 3/8             | 5/16            |

- STD

| P/N OPT. | FLAT ANGLE |
|----------|------------|
| U        | 105°       |
| B        | ROUND      |

- STD

SHAFT AS VIEWED WITH NON-TURN LUG AT 9 O'CLOCK AND SHAFT IN EXTREME CCW POSITION AND STRUT BOLTS ORIENTED VERTICALLY.



**U**

CUSTOM SWITCHES ARE AVAILABLE. CONTACT THE FACTORY WITH YOUR COMPLETE SPECIFICATIONS.