

# DATA SHEET

WIRELESS COMPONENTS

FR4 Chip Antenna  
ANT2405F001R0169A

169 MHz  
2405 Series



FEATURES

- Compact size
- Omni-directional radiation
- Tape & reel automatic mounting
- Reflow process compatible
- RoHS compliant

APPLICATIONS

- Smart meter
- Industrial remote control
- ISM band equipment

ORDERING INFORMATION

All part numbers are identified by the series, packing type, material, size, antenna type, working frequency and packing quantity.

**PART NUMBER**

**ANT 2405 F 001 R 0169A**  
 (1) (2) (3) (4) (5) (6)

---

**(1) PRODUCT**

ANT = Antenna

---

**(2) SIZE**

2405 = 2,4 x 5 mm

---

**(3) ANTENNA TYPE**

L,F,A = Chip Antenna

---

**(4) SERIAL NO.**

001

---

**(5) PACKING TYPE**

R = Tape and Reel

---

**(6) WORKING FREQUENCY**

0169 = 169MHz

---

**PHYCOMP CTC**

CAN4311050010162K

---

**I2NC**

431105001016

---

**SPECIFICATION**

Table 1

DESCRIPTION	VALUE
Centre Frequency	169 MHz
Bandwidth	2 MHz (Typ.)
Polarization	Linear
Azimuth Beamwidth	Omni-directional
Impedance	50 Ω
Operating Temperature	-40 °C ~ 105 °C

**NOTE**

I. The specification is defined on Yageo evaluation board

**DIMENSIONS**

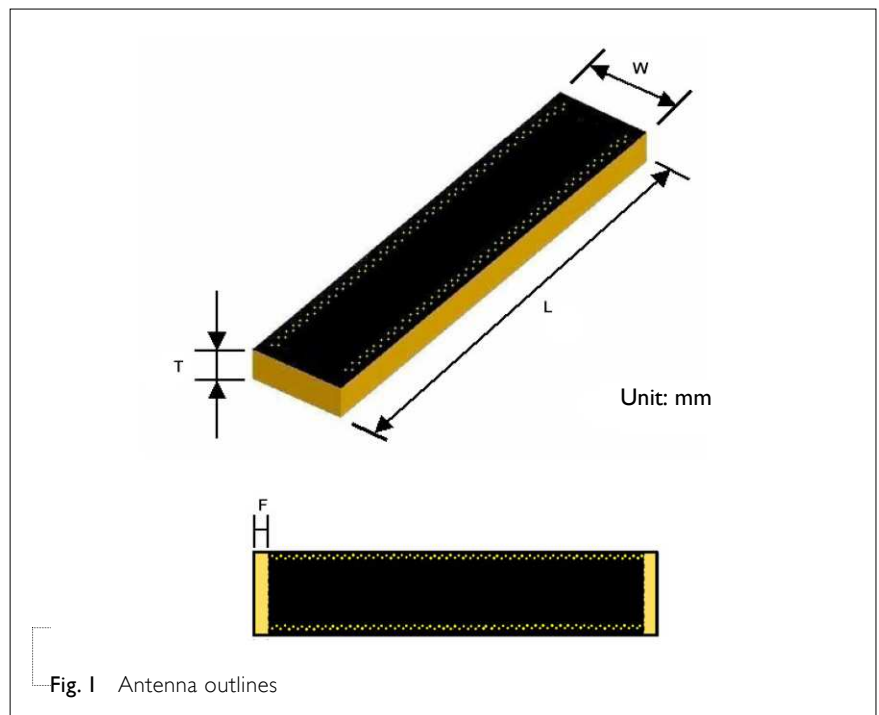
Table 2 Machinical Dimension

	DIMENSION
L (mm)	2.40 ±0.20
W (mm)	5.00 ±0.20
T (mm)	1.60 ±0.15
F (mm)	0.80 ±0.10

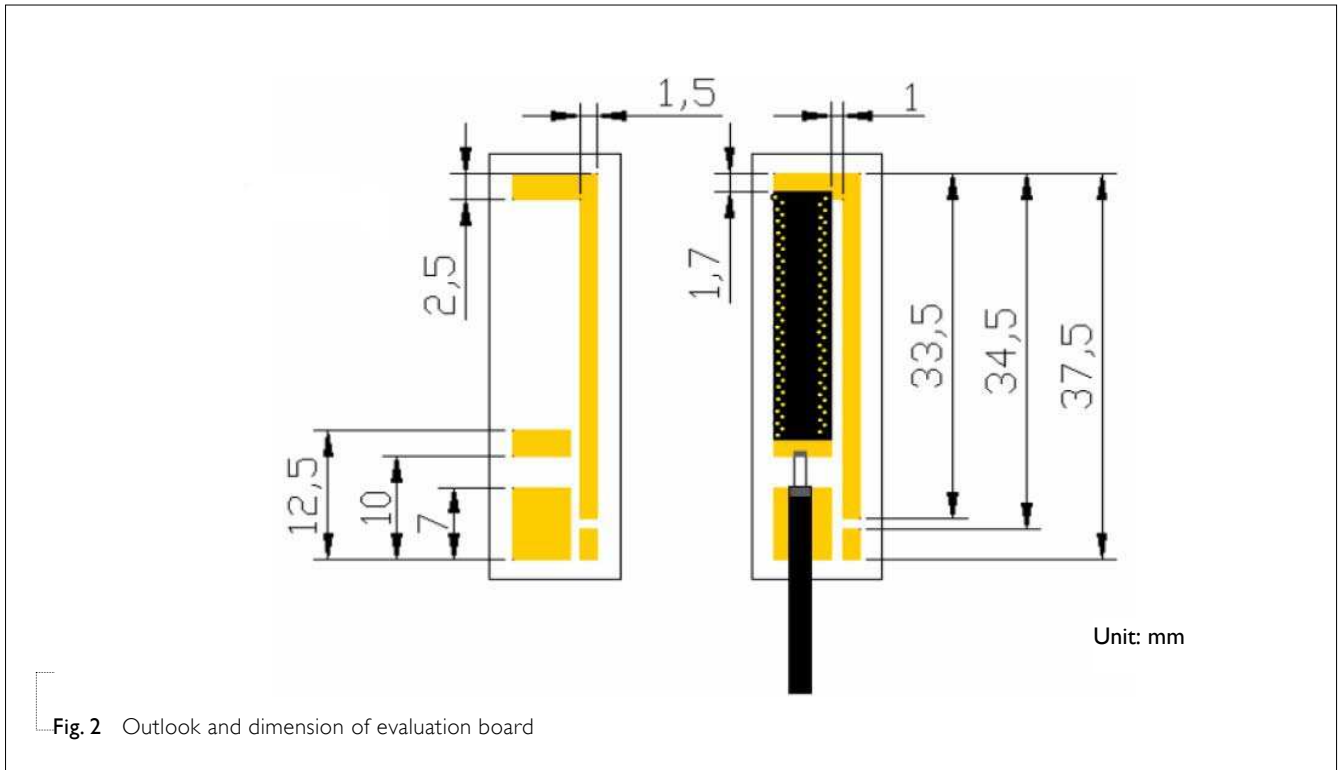
Table 3 Termination configuration

TERMINAL NAME	FUNCTION
F	Feeding Point

**OUTLINES**

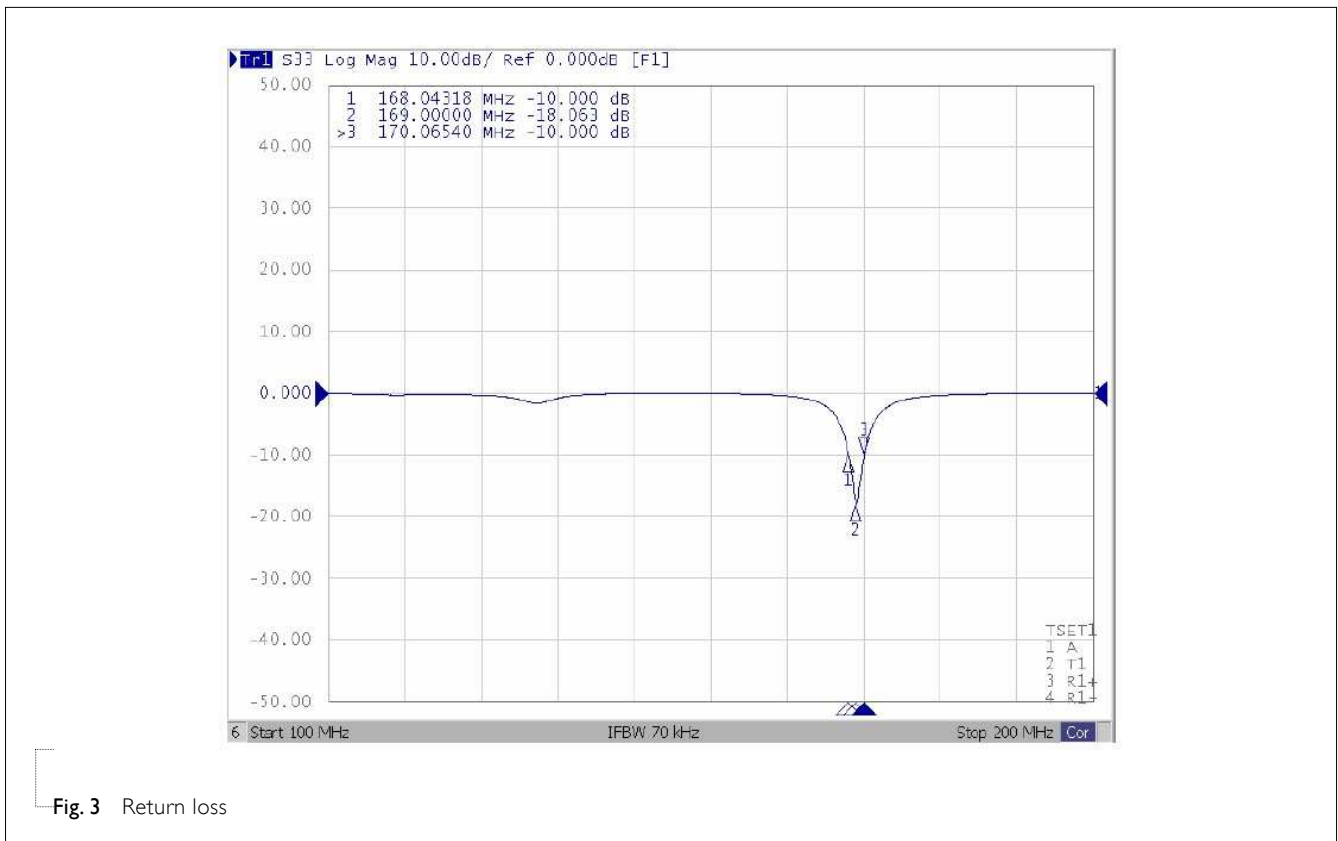


**REFERENCE DESIGN OF EVALUATION BOARD**



**Fig. 2** Outlook and dimension of evaluation board

**ELECTRICAL PERFORMANCES**



**Fig. 3** Return loss

REVISION HISTORY

REVISION	DATE	CHANGE NOTIFICATION	DESCRIPTION
Version 0	Feb. 23, 2013	-	- New data sheet for SMD type antenna, 169 MHz application, 2405 series.