

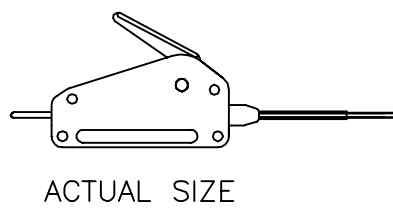
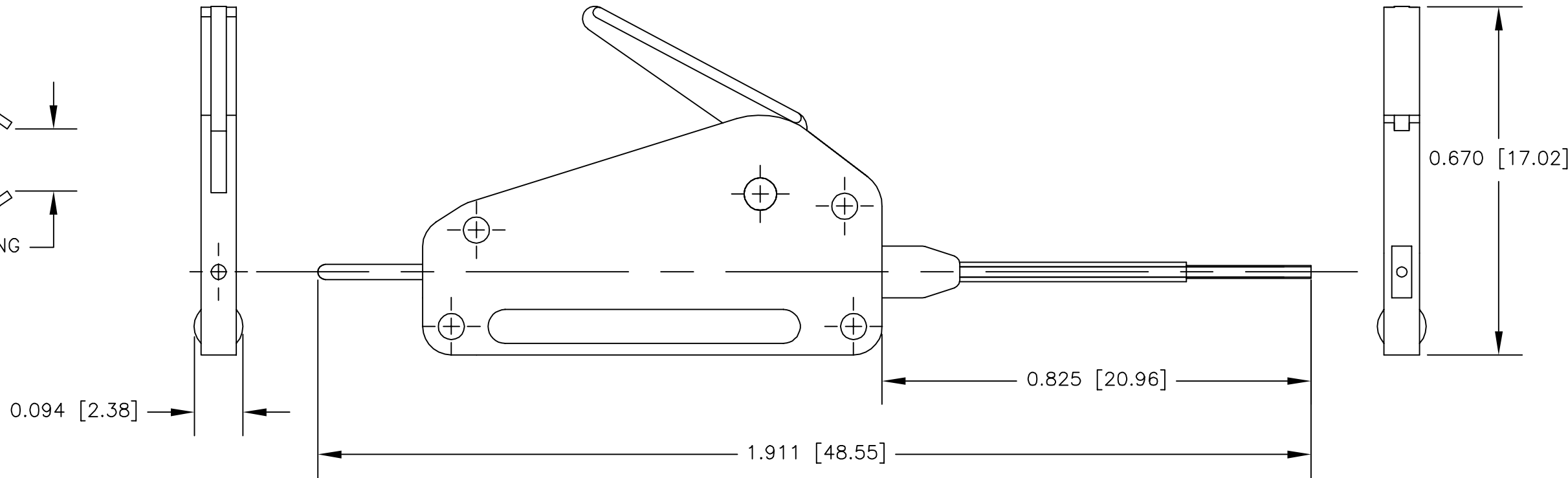
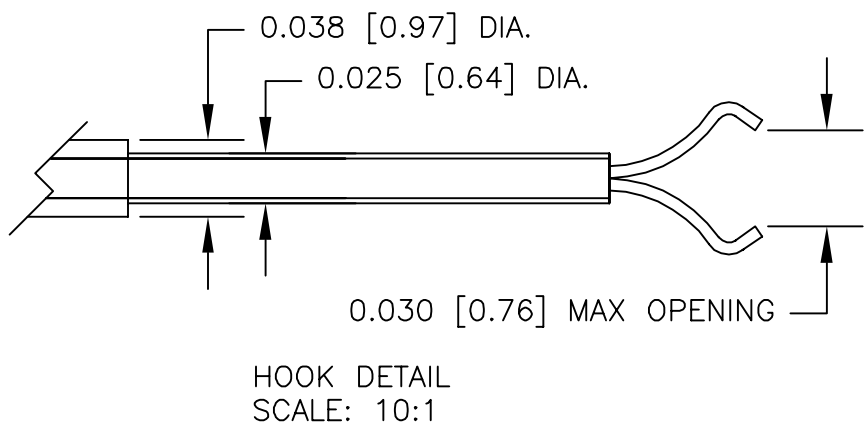
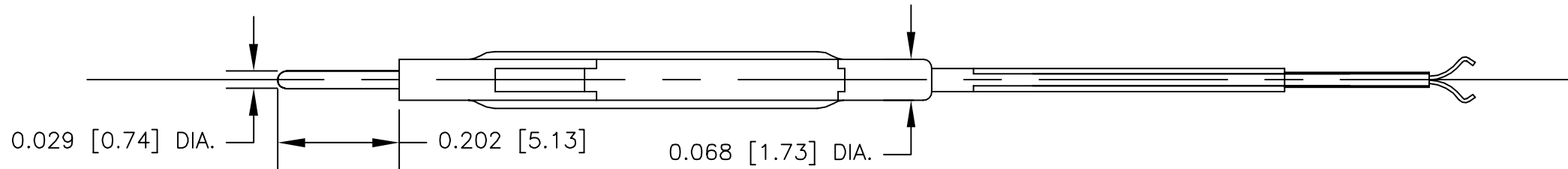
NOTES: UNLESS OTHERWISE SPECIFIED

LTR		DESCRIPTION	REVISIONS	DATE	APPROVED

- CONSTRUCTION:
HOUSING: MOLDED NYLON TYPE 6,6. AVAILABLE IN TEN COLORS.
TIP TUBING: INSULATED STAINLESS STEEL.
PIN PLUG: GOLD PLATED COPPER ALLOY.
HOOK: MUSIC WIRE.

- PERFORMANCE:
MAXIMUM CURRENT: 10 mA
MAXIMUM VOLTAGE: 30 V
MAXIMUM TEMPERATURE: 200°F (93°C)

- FEATURES:
FITS COMPONENTS UP TO $\phi 0.030$ [$\phi 0.76$].



		UNLESS OTHERWISE SPECIFIED DIMENSIONS ARE IN INCHES TOLERANCES ARE: FRACTIONS DECIMALS ANGLES ± .XX ± ± .XXX ±	CONTRACT NO.		E-Z-HOOK DIVISION OF TEKTEST INC. ARCADIA, CA 91006 U.S.A.
			APPROVALS	DATE	
		MATERIAL SEE NOTE.	DRAWN R.L.	6/09	DESCRIPTION E-Z-MICRO DOUBLE TEST CONNECTOR
		FINISH SEE NOTE.	APPROVED BY		
NEXT ASSY	USED ON				SIZE B
APPLICATION		DO NOT SCALE DRAWING			CODE IDENT NO. 08505
					DRAWING NO. X2015
					SCALE 4:1
					SHEET 1 OF 1