

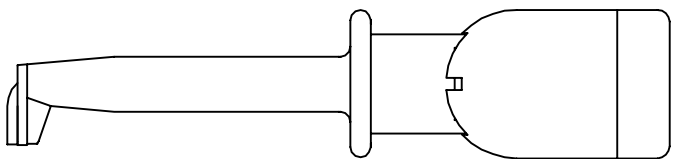
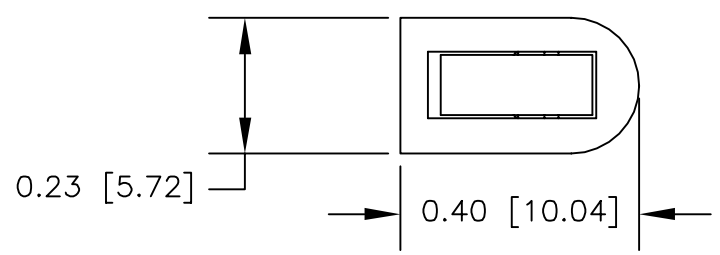
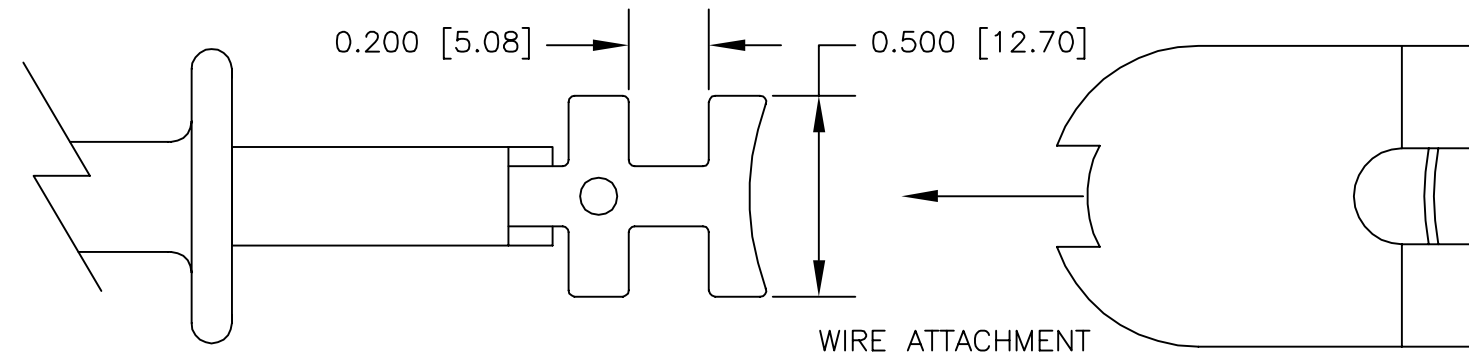
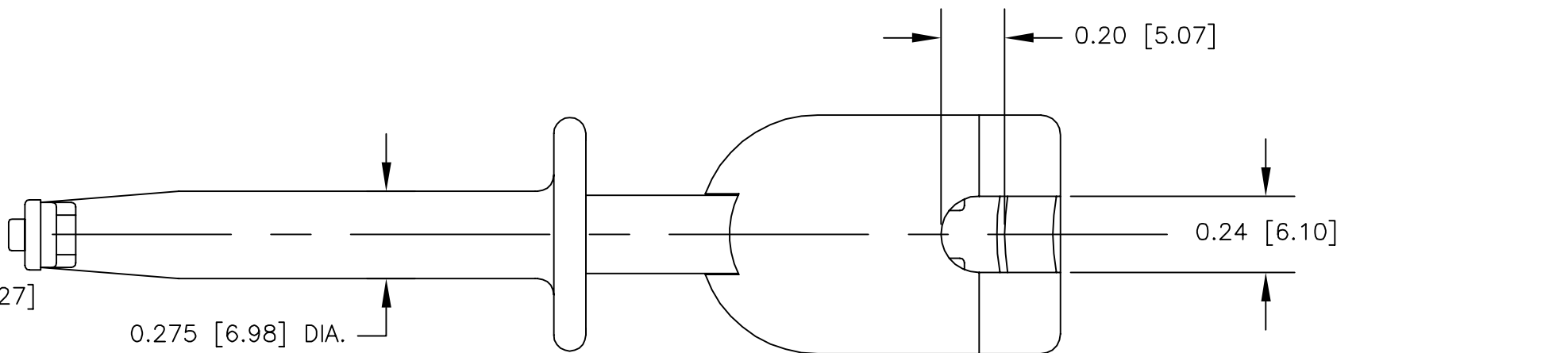
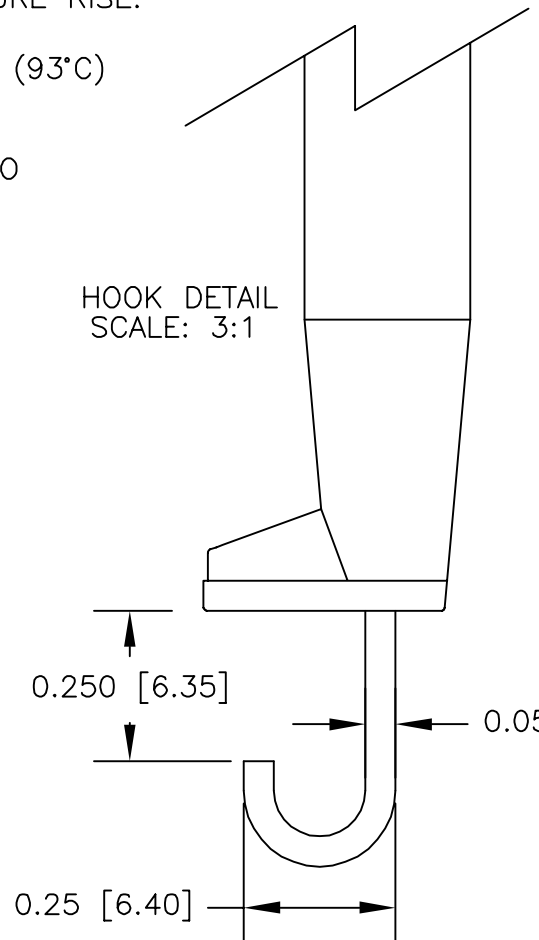
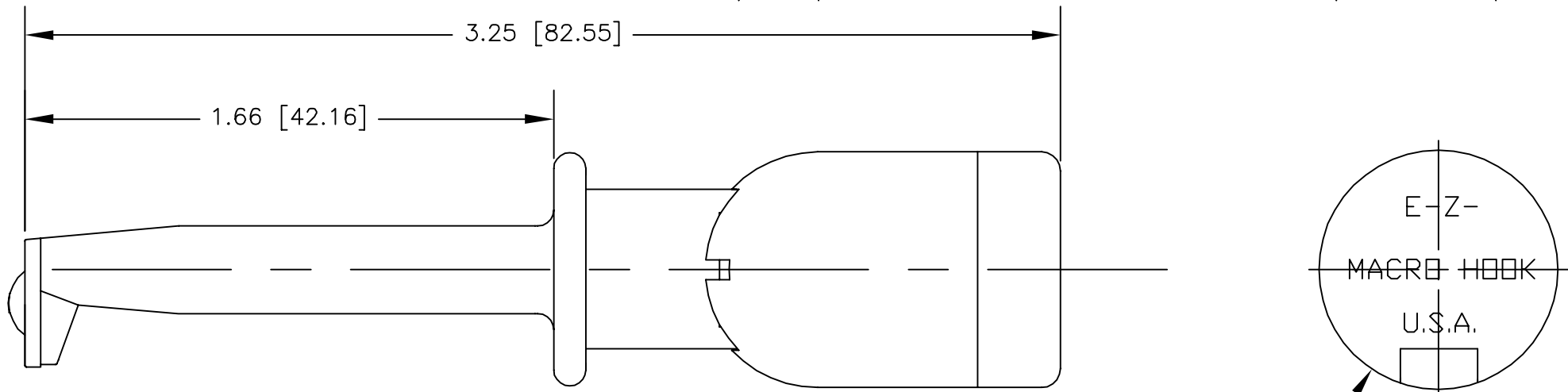
NOTES: UNLESS OTHERWISE SPECIFIED

- CONSTRUCTION:
HOUSING & PLUNGER: MOLDED NYLON TYPE 6,6.
AVAILABLE IN TEN COLORS.
CONTACT BLADE: NICKEL SILVER ALLOY CA 770.
SPRING: STAINLESS STEEL TYPE 302.

- PERFORMANCE:
MAXIMUM CURRENT: 13.1 AMPS WITH A 76°
TEMPERATURE RISE.
MAXIMUM VOLTAGE: 2.4 KV
MAXIMUM TEMPERATURE: 200°F (93°C)

- FEATURES:
HOOK FITS COMPONENTS UP TO
Ø0.140" [3.56].
FIELD SERVICEABLE.

LTR	DESCRIPTION	REVISIONS		DATE	APPROVED
		NO.	DESCRIPTION		



ACTUAL SIZE

UNLESS OTHERWISE SPECIFIED DIMENSIONS ARE IN INCHES TOLERANCES ARE: FRACTIONS DECIMALS ANGLES ± .XX ± ± .XXX ±		CONTRACT NO.		E-Z-HOOK DIVISION OF TEKTEST INC. ARCADIA, CA 91006 U.S.A.	
MATERIAL SEE NOTE.		APPROVALS DRAWN R.L.	DATE 6/09		
FINISH SEE NOTE.		APPROVED BY		DESCRIPTION E-Z-MACRO HOOK TEST CONNECTOR	
NEXT ASSY	USED ON	SCALE 2:1		SIZE B	CODE IDENT NO. 08505
APPLICATION		DO NOT SCALE DRAWING		DRAWING NO. XH	REV.
				SHEET 1 OF 1	