

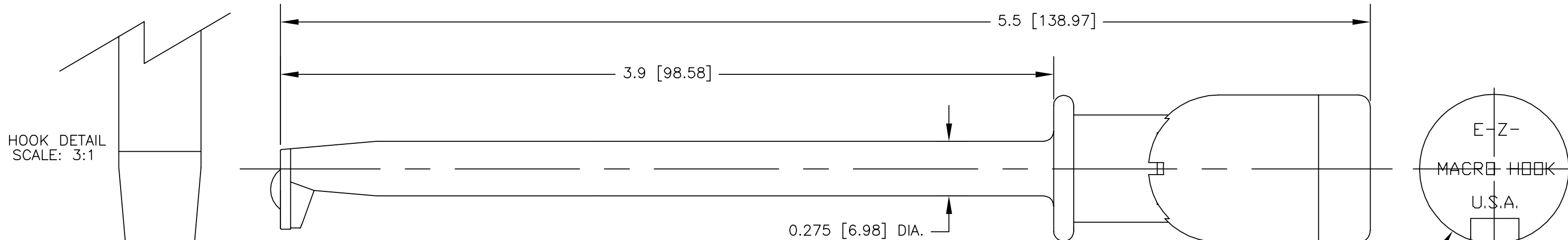
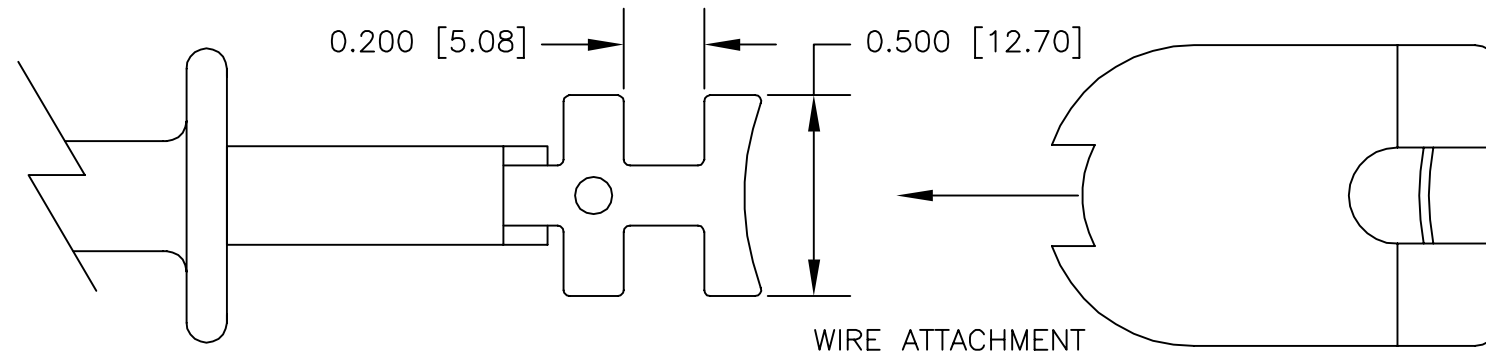
NOTES: UNLESS OTHERWISE SPECIFIED

1. CONSTRUCTION:
 HOUSING & PLUNGER: MOLDED NYLON TYPE 6,6. AVAILABLE IN TEN COLORS.
 CONTACT BLADE: NICKEL SILVER ALLOY CA 770.
 SPRING: STAINLESS STEEL TYPE 302.

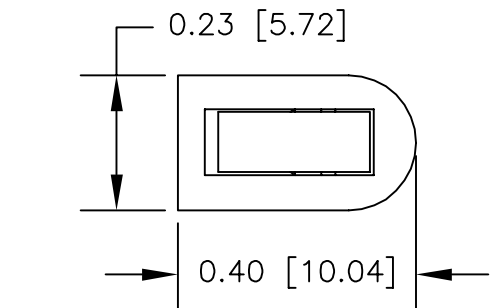
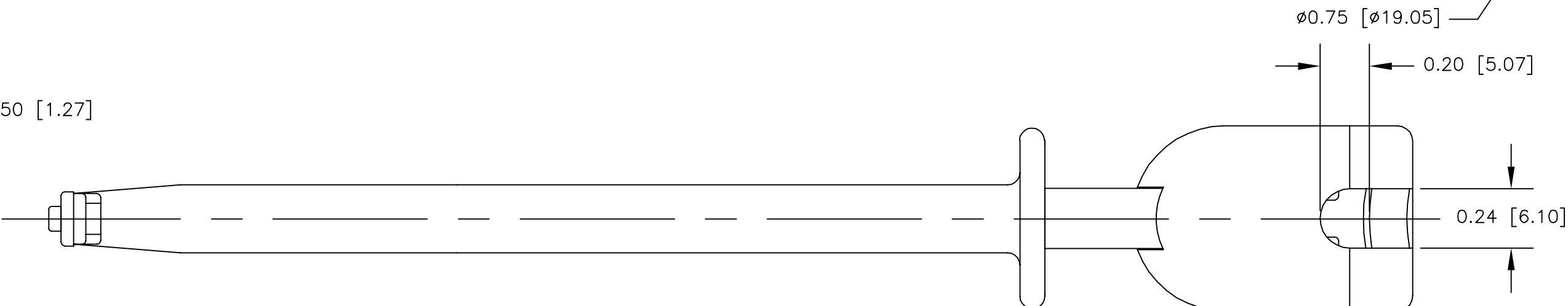
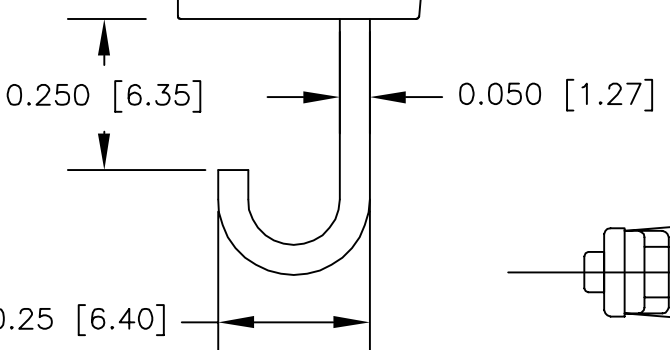
2. PERFORMANCE:
 MAXIMUM CURRENT: 10.9 AMPS WITH A 76° TEMPERATURE RISE.
 MAXIMUM VOLTAGE: 2.4 KV
 MAXIMUM TEMPERATURE: 200°F (93°C)

3. FEATURES:
 HOOK FITS COMPONENTS UP TO $\phi 0.140$ " [3.56].
 FIELD SERVICEABLE.

LTR		REVISIONS	DESCRIPTION	DATE	APPROVED



HOOK DETAIL
 SCALE: 3:1



UNLESS OTHERWISE SPECIFIED DIMENSIONS ARE IN INCHES TOLERANCES ARE: FRACTIONS DECIMALS ANGLES ± .XX ± ± .XXX ±		CONTRACT NO.		E-Z-HOOK DIVISION OF TEKTEST INC. ARCADIA, CA 91006 U.S.A.	
MATERIAL SEE NOTE.		APPROVALS	DATE		
FINISH SEE NOTE.		DRAWN R.L.	6/09	DESCRIPTION E-Z-MACRO HOOK TEST CONNECTOR, LONG	
NEXT ASSY	USED ON	APPROVED BY		SIZE	CODE IDENT NO.
APPLICATION		DO NOT SCALE DRAWING		B 08505	DRAWING NO. XHL
				SCALE	REV.
				2:1	SHEET 1 OF 1

THE INFORMATION CONTAINED IN THIS DOCUMENT IS PROPRIETARY TO E-Z-HOOK. THE INFORMATION IS NOT TO BE REPRODUCED WITHOUT PRIOR WRITTEN PERMISSION OF E-Z-HOOK, DIV. OF TEKTEST INC. MAXIMUM TESTED RATINGS IN A HANDS-FREE CONTROLLED ENVIRONMENT. MAXIMUM RATINGS ARE NOT TO BE USED CONCURRENTLY.