

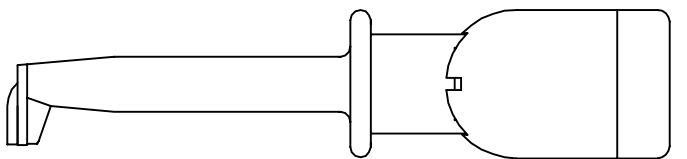
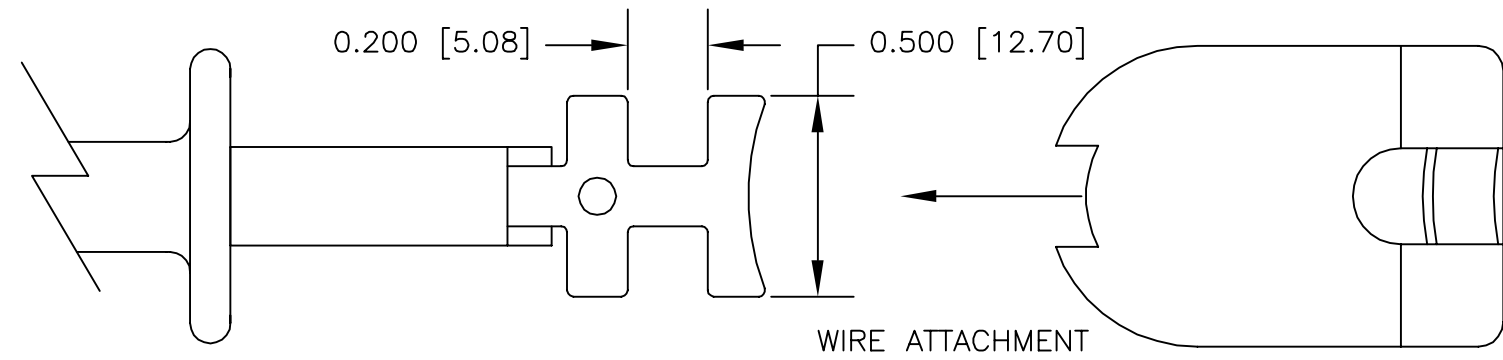
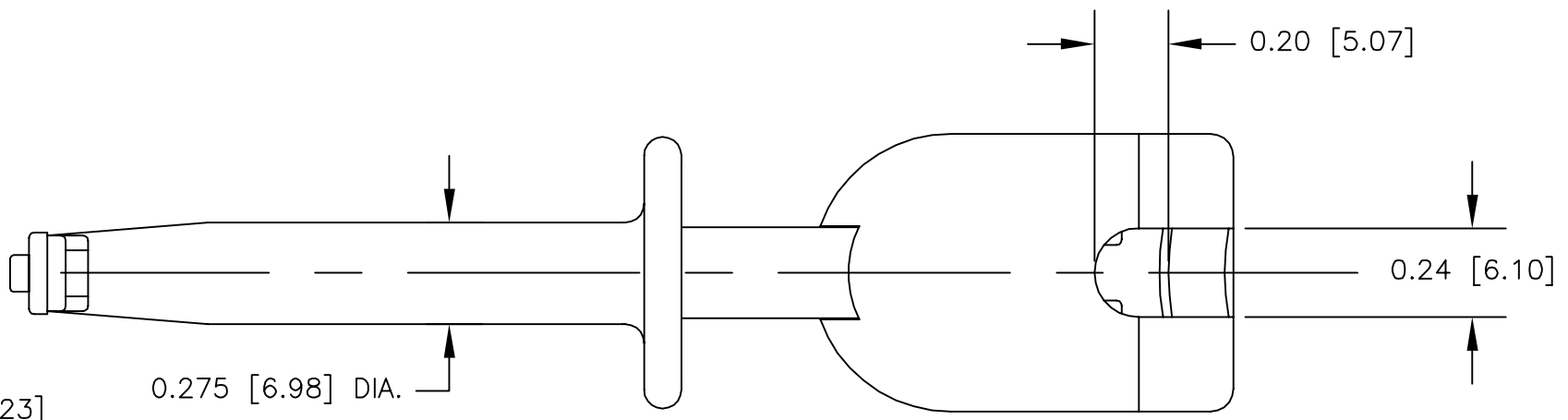
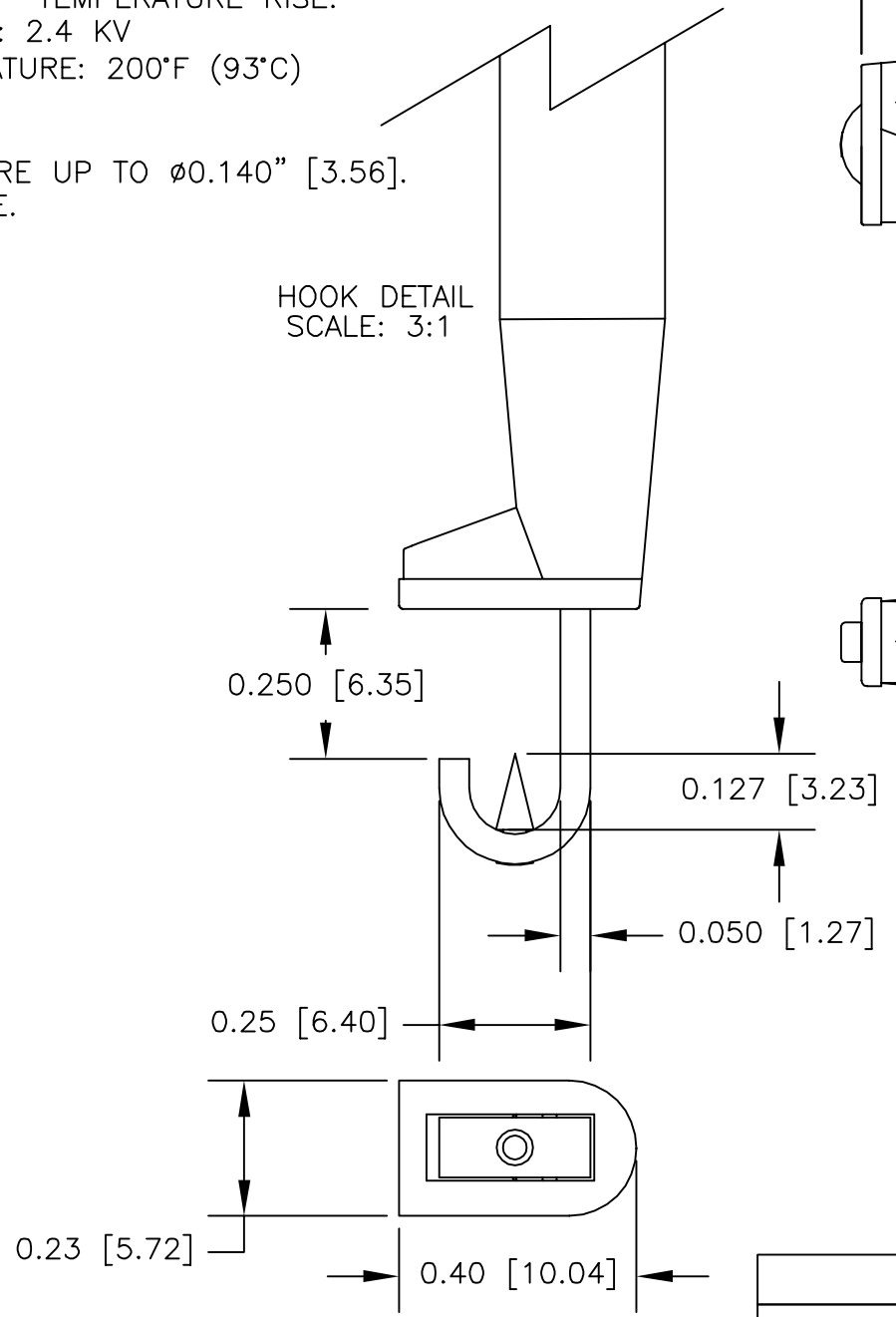
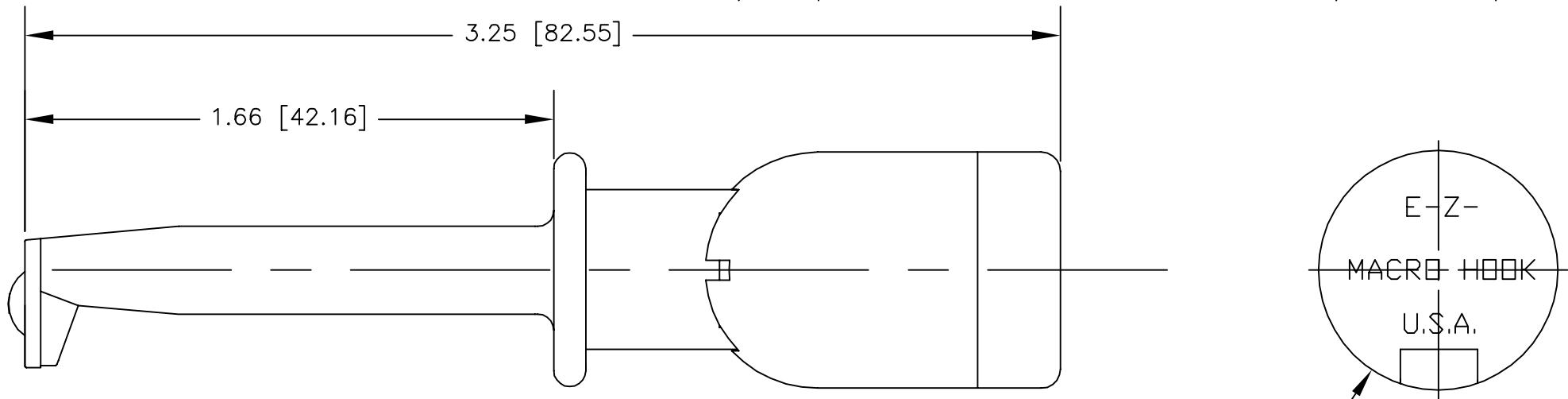
NOTES: UNLESS OTHERWISE SPECIFIED

- CONSTRUCTION:  
HOUSING & PLUNGER: MOLDED NYLON TYPE 6,6.  
AVAILABLE IN TEN COLORS.  
CONTACT BLADE: NICKEL SILVER ALLOY CA 770.  
SPRING: STAINLESS STEEL TYPE 302.

- PERFORMANCE:  
MAXIMUM CURRENT: 13.1 AMPS WITH A 76°  
TEMPERATURE RISE.  
MAXIMUM VOLTAGE: 2.4 KV  
MAXIMUM TEMPERATURE: 200°F (93°C)

- FEATURES:  
HOOK PIERCES WIRE UP TO  $\phi 0.140$ " [3.56].  
FIELD SERVICEABLE.

LTR	DESCRIPTION	REVISIONS		DATE	APPROVED
		NO.	BY		



ACTUAL SIZE

UNLESS OTHERWISE SPECIFIED DIMENSIONS ARE IN INCHES TOLERANCES ARE: FRACTIONS DECIMALS ANGLES ± .XX ± ± .XXX ±		CONTRACT NO.		<b>E-Z-HOOK</b> DIVISION OF TEKTEST INC. ARCADIA, CA 91006 U.S.A.	
MATERIAL SEE NOTE.		APPROVALS DRAWN R.L.	DATE 6/09		
FINISH SEE NOTE.		APPROVED BY		DESCRIPTION E-Z-MACRO HOOK INSULATION-PIERCING	
NEXT ASSY	USED ON	SCALE 2:1		SIZE <b>B</b>	CODE IDENT NO. <b>08505</b>
APPLICATION		DO NOT SCALE DRAWING		DRAWING NO. XJ	REV.
				SHEET 1 OF 1	