

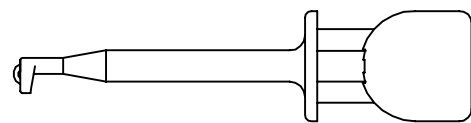
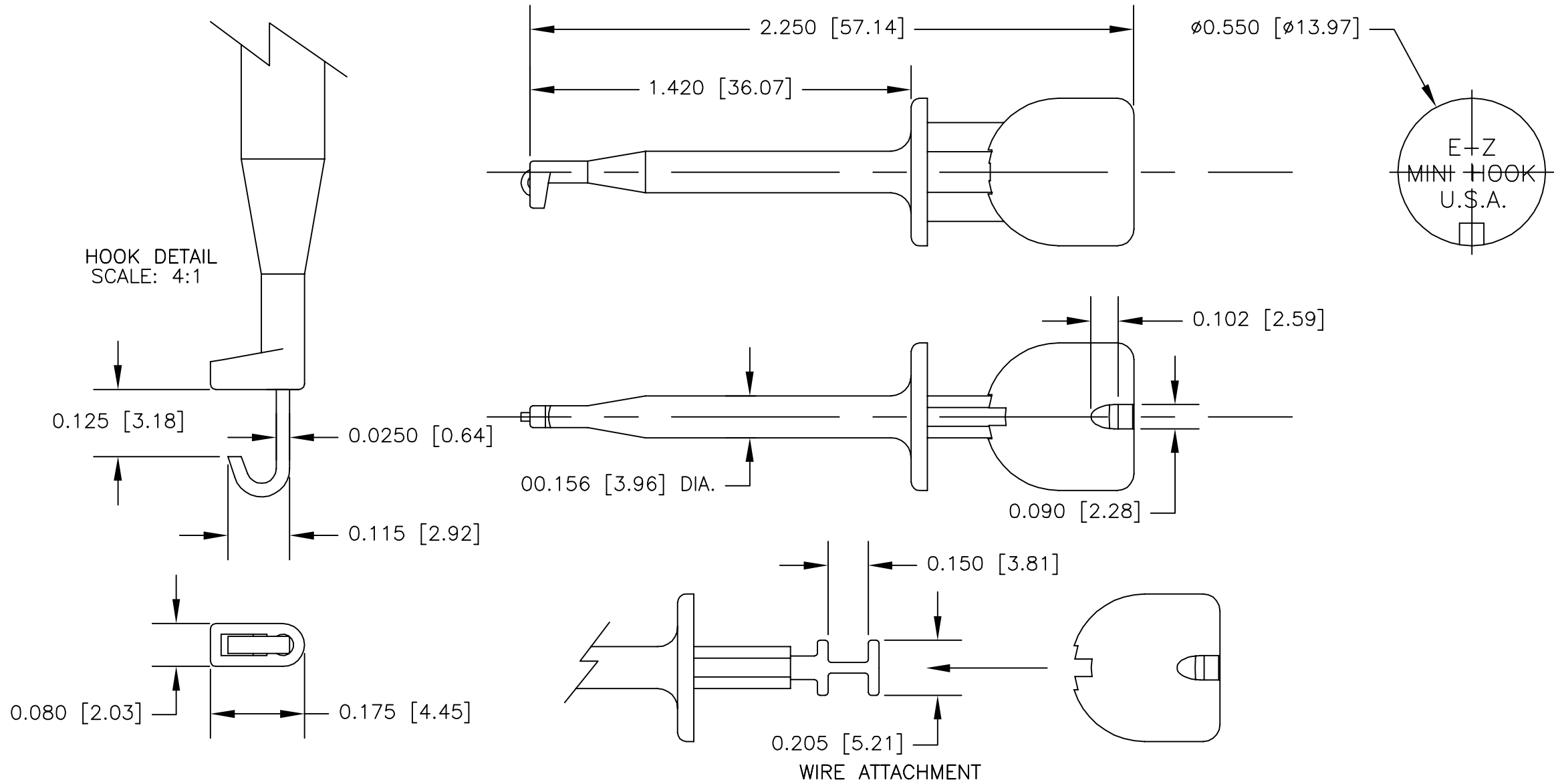
NOTES: UNLESS OTHERWISE SPECIFIED

LTR	DESCRIPTION	REVISIONS		DATE	APPROVED

- CONSTRUCTION:
 HOUSING & PLUNGER: MOLDED NYLON TYPE 6,6.
 AVAILABLE IN TEN COLORS.
 CONTACT BLADE: BERYLLIUM COPPER PER QQ-C-533. GOLD PLATED PER MIL-G-45204 B TYPE 1 .00001" THICK MINIMUM
 SPRING: STAINLESS STEEL TYPE 302

- PERFORMANCE:
 MAXIMUM CURRENT: 5.9 AMPS WITH A 77° TEMPERATURE RISE.
 MAXIMUM VOLTAGE: 5.4 KV
 MAXIMUM TEMPERATURE: 200°F (93°C)

- FEATURES:
 HOOK FITS COMPONENTS UP TO $\phi 0.059$ " [1.50].
 FIELD SERVICEABLE.



ACTUAL SIZE

		UNLESS OTHERWISE SPECIFIED DIMENSIONS ARE IN INCHES TOLERANCES ARE: FRACTIONS DECIMALS ANGLES ± .XX ± ± .XXX ±	CONTRACT NO.		E-Z-HOOK DIVISION OF TEKTEST INC. ARCADIA, CA 91006 U.S.A.
			APPROVALS	DATE	
		MATERIAL SEE NOTE.	DRAWN R.L.	6/09	DESCRIPTION E-Z-MINI-HOOK TEST CONNECTOR
		FINISH SEE NOTE.	APPROVED BY		
NEXT ASSY	USED ON				SIZE B CODE IDENT NO. 08505 DRAWING NO. XR
APPLICATION		DO NOT SCALE DRAWING			SCALE 2:1
					SHEET 1 OF 1