

DC/DC Product Specification

Embedded Power for
Business-Critical Continuity

- 1/16th brick fully regulated DCDC converter.

AVD50-48S3V3

1/16th brick

Input voltage: 36-75V
Single Output: 3.3V
Rated power: 49.5W



Rev 30.08.2012
AVD50 series
1 of 2

Special Features

- 2:1 Wide input range
- Optimised for High density, small space applications
- Low ripple and noise
- Fixed switching frequency
- High efficiency
- High capacitive load capability
- Pre-bias start-up capability
- Basic insulation system
- Through hole or SMT termination
- Openframe structure

Safety

- UL, cUL: UL60950
- TUV/CE: IEC/EN60950

Product Description

The AVD50-48S3v3 is the latest high efficiency 1/16th brick. It operates from a wide input range of 36Vdc to 75Vdc and provides a regulated output voltage of 3.3Vdc. The output is rated to a power level up to 49.5Watts maximum. Its protection features include non latching OCP, OTP and OVP. It also has an enable pin on the primary side of the converter. The unit is an open frame design with baseplate option that is optimised for either contact-cooled applications or forced airflow applications.

Specifications

Feature	
Output power:	49.5W
Super high efficiency:	92%(3.3V)
Functions:	Remote control, trim function, Sense; Input LVP, output OVP and OCP, OTP Open frame structure with base plate option.
Isolation:	Basic Insulation
Safety	
UL:	UL60950
TUV/CE:	IEC/EN60950
Input specification	
Input range	36Vdc to 75Vdc
Input Surge	100V for 100mSec
Control specification	
Enable	TTL compatible Positive or Negative enable
Output specification	
Output Voltage	3.3V dc
Trim range	+10% to -20% Vout
Output Current	15A
Ripple and noise	120mV pk-pk
Regulation	Load regulation = 16.5mV, Line regulation = 6.6mV
Switching Frequency	Fixed switching frequency 250Khz
Isolation Voltage	1500Vdc
Transient response.	50mV deviation 100uS recovery (25%-50% Iout ,0.1A/us)

Environmental Specification

Storage Temperature	-55 to +125 deg C
Ambient operating temp	-40 to +85 deg C
MTBF at 25degC	2 Million hours (48V, Io=20A)
OTP	125 deg C

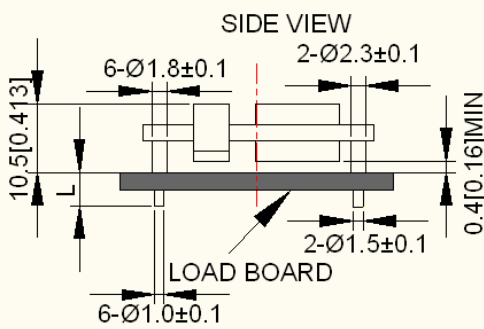
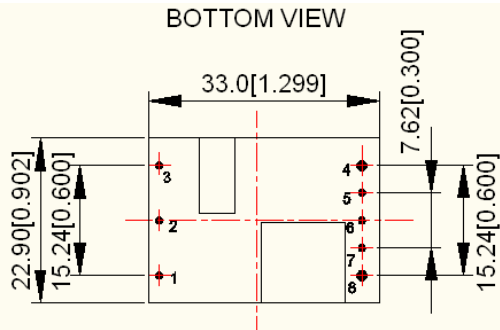
DC/DC Product Specification

Embedded Power for
Business-Critical Continuity

- 1/16th brick fully regulated DCDC converter.

Mechanical

Rev 30.08.2012
AVD50 series
2 of 2



UNIT: mm[inch]

BOTTOM VIEW: pin on upsi

TOLERANCE: X.Xmm±0.5mm[X.X in.±0.02in.]
X.XXmm±0.25mm[X.XX in.±0.01in.]

Pin Assignments

Pin #	Function
1	+V in
2	Enable
3	-V in
4	-V out
5	-Sense
6	Trim
7	+Sense
8	+V out

Americas

5810 Van Allen Way
Carlsbad, CA 92008
USA
Telephone: +1 (760) 930 4600
Facsimile: +1 (760) 930 0698

Europe (UK)

Waterfront Business Park
Merry Hill, Dudley
West Midlands, DY5 1LX
United Kingdom
Telephone: +44 (0) 1384 842 211
Facsimile: +44 (0) 1384 843 355

Asia (HK)

14/F, Lu Plaza
2 Wing Yip Street
Kwun Tong, Kowloon
Hong Kong
Telephone: +852 2176 3333
Facsimile: +852 2176 3888

For global contact, visit:

www.powerconversion.com

techsupport.embeddedpower@emerson.com

While every precaution has been taken to ensure accuracy and completeness in this literature, Emerson Network Power assumes no responsibility, and disclaims all liability for damages resulting from use of this information or for any errors or omissions.

Emerson Network Power.

The global leader in enabling business-critical continuity.

- AC Power
- Connectivity
- DC Power
- Embedded Computing
- Embedded Power**
- Monitoring
- Outside Plant
- Power Switching & Controls
- Precision Cooling
- Racks & Integrated Cabinets
- Services
- Surge Protection

EmersonNetworkPower.com

Emerson Network Power and the Emerson Network Power logo are trademarks and service marks of Emerson Electric Co.
©2008 Emerson Electric Co.

Ordering information

Input voltage	Output voltage	Output current	Efficiency	Part number
48V	3.3V	15A	92%	AVD50-48S3V3SL
48V	3.3V	15A	92%	AVD50-48S3V3TL
48V	3.3V	15A	92%	AVD50-48S3V3-6L

Notes

- Standard converter is Negative enable
- '-6' = 3.8mm pin length.
- '-T' = Surface mount , reel tape package
- '-S' = Surface mount , tray package
- '-L' = RoHS-6 compliant.

Notes,

- 1\ 20Mhz bandwidth. External 10uF tantalum capacitor placed across +Vout and -Vout; 33 uF e-cap or equivalent placed across +Vin and -Vin.
- 2\ Efficiency measurements taken at full load and nominal line and Tamb = 25degC
- 3\ All specifications taken at nominal line, full load and Tamb = 25degC unless otherwise noted
- 4\ Mechanical dimensions are for reference only. Dimensions are in MM. Mechanical tolerance = +/- 0.5mm
- 5\ Technical reference notes should be consulted for detailed information when available.
- 6\ All specifications subject to change without notice
- 7\ Warranty 2 years
- 8\ The through-hole terminated modules are intended for wave-soldering process – special request for other manufacturing processes to be made to Emerson