

SMT15C Series

5 Vin and 12 Vin
single output

Total Power: 50W
Input Voltage: 4.5-5.5 Vdc
of Outputs: Single

Special Features

- 15 A current rating
- Input voltage range:
4.5 Vdc - 5.5 Vdc or
10.2 Vdc - 13.8 Vdc
- Output voltage range:
0.9 Vdc - 3.3/5.0 Vdc
- Industry leading value
 - Cost optimized design
- Excellent transient response
- Output voltage adjustability
 - Pathway for future upgrades
 - Supports silicon voltage migration
 - Resulting in reduced design-in and qualification time
- Designed in reliability:
MTBF of >7 million hours
per Telcordia SR-332
- Available RoHS compliant
- 2 year warranty

Safety

UL/cUL CAN/CSA 22.2 No. 60950
UL 60950 File No. E139421

TÜV Product Service
(EN60950:2000)
Certificate No. B 04 08 19870 228
CB report and certificate to
US/6415C/UL



Rev.06.25.07
SMT15C
1 of 4

The SMT15C series is a new high density open-frame, non-isolated converter for space sensitive applications. Each model has a wide input range (4.5 Vdc to 5.5 Vdc or 10.2 Vdc to 13.8Vdc) and offers a wide 0.9 Vdc to 5.0 Vdc output voltage range with a 15 A load. An external resistor adjusts the output voltage from its pre-set value of 0.9 V to any value up to the 5 V maximum. Typical efficiencies for the models are 89% for the 5 V input version and 91% for the 12 V input version. The series offers remote ON/OFF and overcurrent protection as standard. With full international safety approvals including EN60950 and UL/cUL60950, the SMT15C reduces compliance costs and time to market.



Specifications

All specifications are typical at nominal input, full load at 25°C unless otherwise stated.

OUTPUT SPECIFICATIONS

Voltage adjustability (See Note 7)	5 Vin 12 Vin	0.9-3.3 Vdc 0.9-5.0 Vdc
Output setpoint accuracy	1.0% trim resistors	±2.5%
Line regulation	Low line to high line	±0.2%
Load regulation	Full load to min. load	±0.5%
Min/max load		0 A/15 A
Overshoot (at turn-on)	5 Vin 12 Vin	3.0% max. 1.0% max.
Undershoot	At turn-off	100 mV max.
Ripple and noise 5 Hz to 20 MHz	(See Note 6)	See Table on page 2
Transient response (See Note 1)		100 mV max. deviation 200 μs recovery to within regulation band

INPUT SPECIFICATIONS

Input voltage range	5 Vin 12 Vin	4.5-5.5 Vdc 10.2-13.8 Vdc
Input current	Minimum load Remote ON/OFF	65 mA 20 mA
Input current (max.) (See Note 9)	5 Vin 12 Vin	11.5 A max. @ I _o max. 8.1 A @ I _o max.
Input reflected ripple (See Note 2)	5 Vin 12 Vin	200 mA (pk-pk) 200 mA (pk-pk)
Remote ON/OFF Logic compatibility ON OFF		Positive logic >2.4 Vdc <0.8 Vdc
Start-up time (See Note 3)	Power-up Remote ON/OFF	<20 ms <20 ms

INPUT SPECIFICATIONS (CONTD.)

Turn ON threshold	5 Vin 12 Vin	4.5 Vdc typ. 9.3 Vdc typ.
Turn OFF threshold	5 Vin 12 Vin	4.3 Vdc typ. 7.8 Vdc typ.

GENERAL SPECIFICATIONS

Efficiency		See Table on page 2
Switching frequency	Fixed	200 kHz
Approvals and standards	(See Note 4)	TÜV Product Services IEC60950, UL/cUL60950
Material flammability		UL94V-0
Weight		14.2 g (0.5 oz)
Coplanarity		150 μm
MTBF	Telcordia SR-332	7,817,294 hours

ENVIRONMENTAL SPECIFICATIONS

Thermal performance (See Note 10)	Operating ambient, temperature Non-operating	0 °C to +80 °C -40 °C to +125 °C
--------------------------------------	--	-------------------------------------

PROTECTION

Short-circuit	Hiccup, non-latching
---------------	----------------------

RECOMMENDED SYSTEM CAPACITANCE

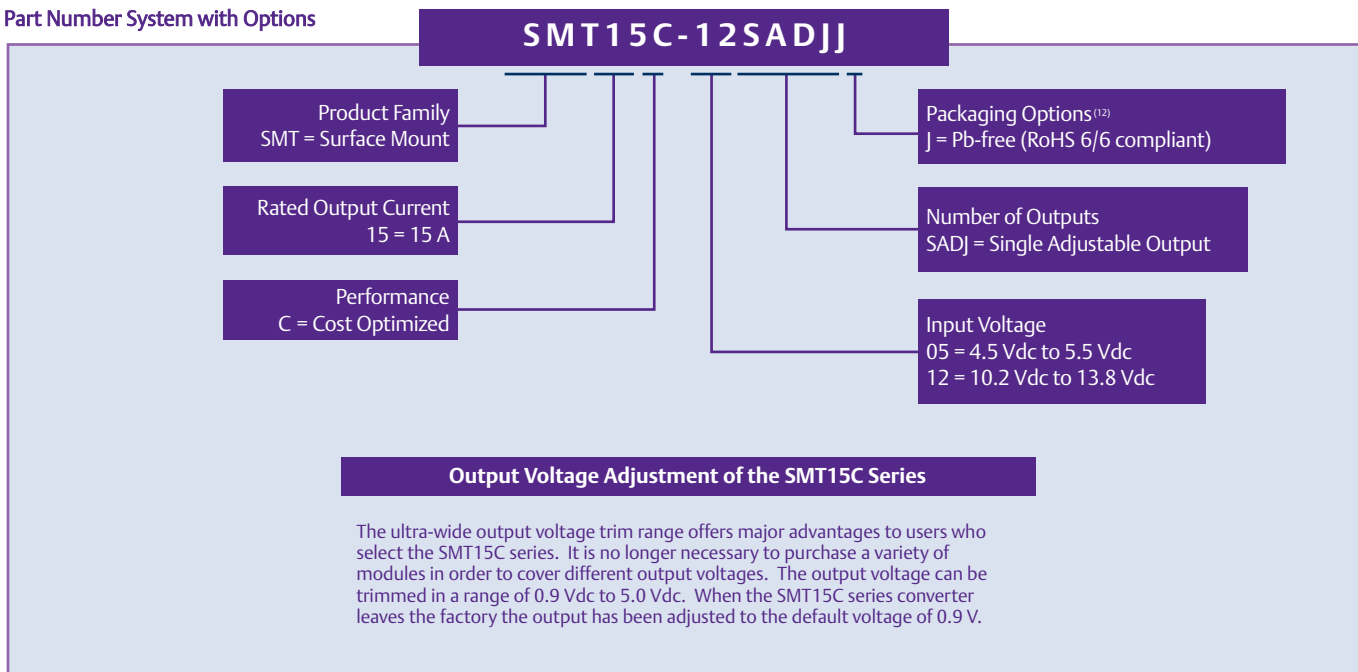
Input capacitance	(See Note 11)	270 μF/20 mW ESR max.
Output capacitance	(See Note 11)	680 μF/10 mW ESR max.

Specifications

All specifications are typical at nominal input $V_{in} = 12\text{ V}$, full load at 25°C unless otherwise stated.

OUTPUT POWER (MAX.)	INPUT VOLTAGE	OUTPUT VOLTAGE	OUTPUT CURRENT (MIN.)	OUTPUT CURRENT (MAX.)	EFFICIENCY (TYP.)	REGULATION		MODEL NUMBER ^(12,13)
						LINE	LOAD	
50 W	4.5-5.5 Vdc	0.9-3.3 Vdc	0 A	15 A	89%	$\pm 0.2\%$	$\pm 0.5\%$	SMT15C-05SADJJ
75 W	10.2-13.8 Vdc	0.9-5.0 Vdc	0 A	15 A	91%	$\pm 0.2\%$	$\pm 0.5\%$	SMT15C-12SADJJ

Part Number System with Options

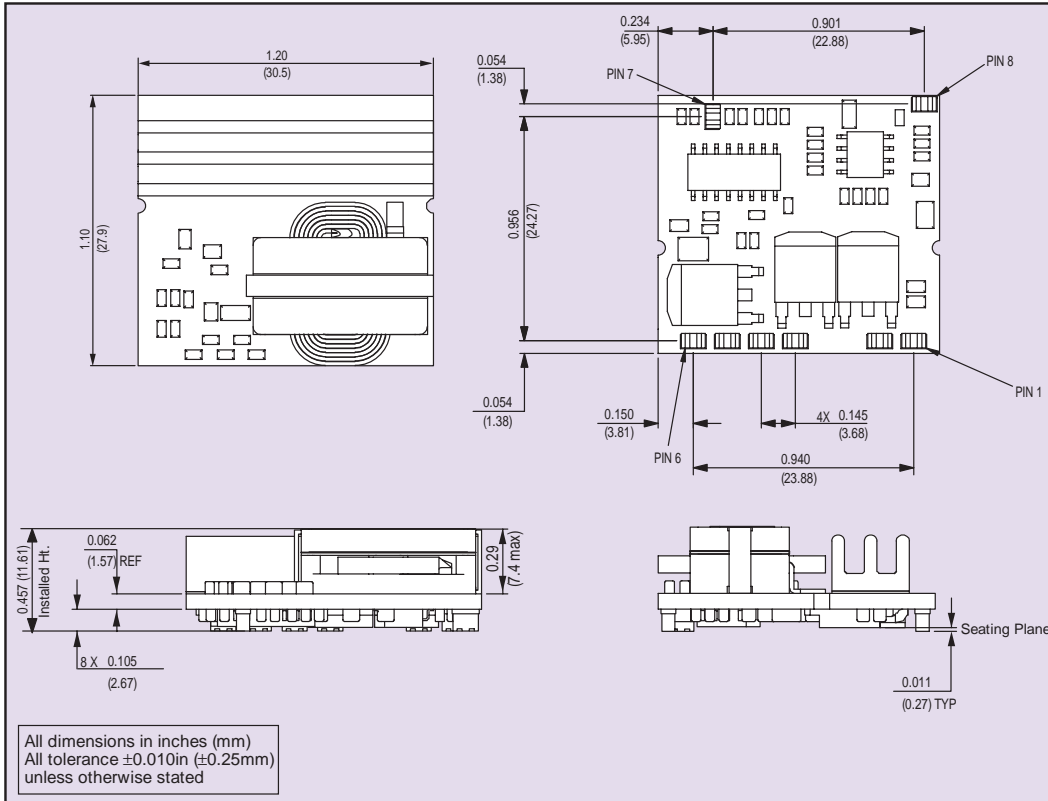


Notes

- $di/dt = 10\text{ A}/\mu\text{s}$, $V_{in} = \text{Nom}$, $T_c = 25^\circ\text{C}$, load change = 0.50 I_o max. to 0.75 I_o max, and vice versa.
- Measured with external filter. See Application Note 169 for details.
- Power up is the time from application of dc input to POWER GOOD high. Remote ON/OFF asserted high to POWER GOOD high.
- This product is only for inclusion by professional installers within other equipment and must not be operated as a stand alone product.
- Reserved.
- Measured as per recommended set-up. $C_{in} = 270\ \mu\text{F}$ (20mW ESR max.), $C_{out} = 680\ \mu\text{F}$ (10 mW ESR max.).
- Uses external resistor from TRIM to ground. See Application Note 169 for details. Minimum value 485 μF for 5 V model, 280 μF for 12 V model.
- Signal line assumed <3 m in length.
- External input fusing recommended.
- See Application Note 169 for operation above 50°C .
- See Application Note 169 for more details.
- TSE RoHS 5/6 (non Pb-free) compliant versions may be available on special request, please contact your local sales representative for details.
- NOTICE: Some models do not support all options. Please contact your local Artesyn representative or use the on-line model number search tool at <http://www.artesyn.com/powergroup/products.htm> to find a suitable alternative.

Ripple and Noise Specification

Model	Output Voltage	Pk - Pk	RMS
5 V input models	0.9 Vdc to 2.5 Vdc	30 mV	15 mV
	3.3 Vdc	40 mV	15 mV
12 V input models	0.9 Vdc to 2.5 Vdc	50 mV	25 mV
	3.3 Vdc to 5 Vdc	50 mV	25 mV



PIN CONNECTIONS	
PIN NUMBER	FUNCTION
1	Vout
2	Vout
3	Power Good
4	GND
5	GND
6	Vin
7	Trim
8	Remote ON/OFF

Americas

5810 Van Allen Way
Carlsbad, CA 92008
USA
Telephone: +1 760 930 4600
Facsimile: +1 760 930 0698

Europe (UK)

Waterfront Business Park
Merry Hill, Dudley
West Midlands, DY5 1LX
United Kingdom
Telephone: +44 (0) 1384 842 211
Facsimile: +44 (0) 1384 843 355

Asia (HK)

16th - 17th Floors, Lu Plaza
2 Wing Yip Street, Kwun Tong
Kowloon, Hong Kong
Telephone: +852 2176 3333
Facsimile: +852 2176 3888

For global contact, visit:

www.powerconversion.com
technicalsupport@powerconversion.com

While every precaution has been taken to ensure accuracy and completeness in this literature, Emerson Network Power assumes no responsibility, and disclaims all liability for damages resulting from use of this information or for any errors or omissions.

Emerson Network Power.

The global leader in enabling business-critical continuity.

- AC Power
- Connectivity
- DC Power
- **Embedded Power**
- Inbound Power
- Integrated Cabinet Solutions
- Outside Plant
- Precision Cooling
- Site Monitoring and Services

EmersonNetworkPower.com

Emerson Network Power and the Emerson Network Power logo are trademarks and service marks of Emerson Electric Co.
©2007 Emerson Electric Co.