

# Customer Information Sheet

DRAWING No.: M80-665XXXX

SHEET 2 OF 2

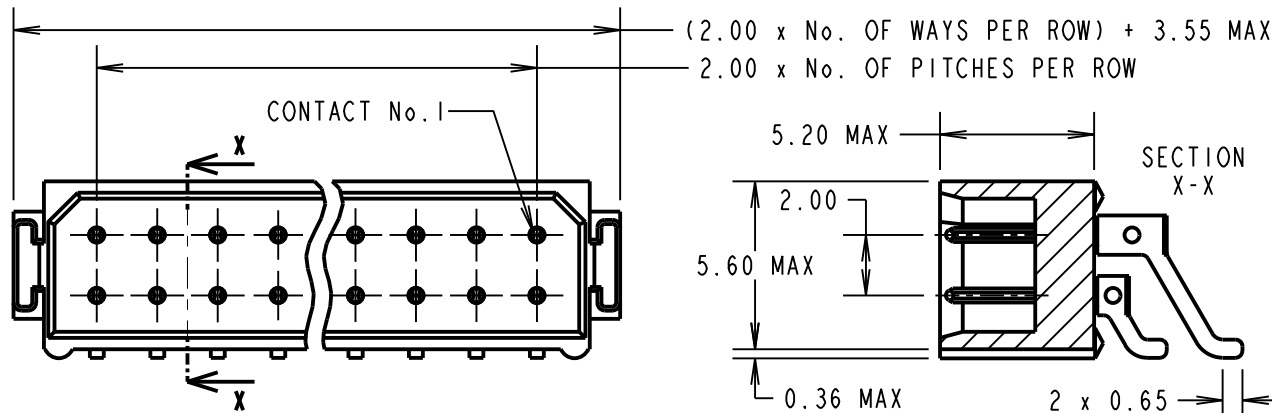
IF IN DOUBT - ASK

©

NOT TO SCALE

THIRD ANGLE PROJECTION

ALL DIMENSIONS IN mm



**SPECIFICATIONS:**

**MATERIAL:**  
 MOULDING = GLASS-FILLED POLYAMIDE 46, UL94V-0, BLACK  
 CONTACT = BRASS

**FINISH:**

**CONTACT:**  
 22 = 0.75µ GOLD ON CONTACT AREA,  
 0.3µ 90/10 TIN/LEAD ON TAILS  
 42 = 0.75µ GOLD ON CONTACT AREA,  
 0.3µ 100% TIN ON TAILS  
 45 = 0.75µ GOLD OVER NICKEL

**ELECTRICAL:**

CURRENT RATING AT 25°C = 3.0A MAX  
 CURRENT RATING AT 85°C = 2.2A MAX  
 WORKING VOLTAGE = 800V AC/DC  
 VOLTAGE PROOF = 1200V AC/DC  
 CONTACT RESISTANCE = 25 mΩ MAX  
 INSULATION RESISTANCE = 100 MΩ MIN

**MECHANICAL:**

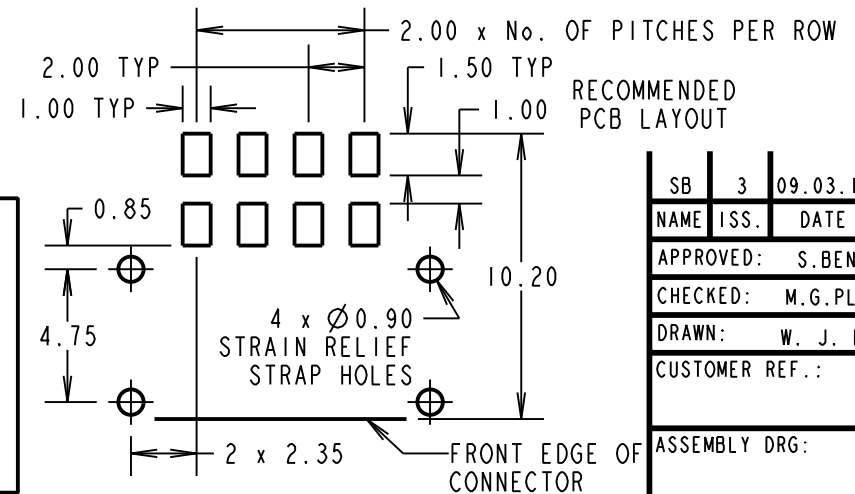
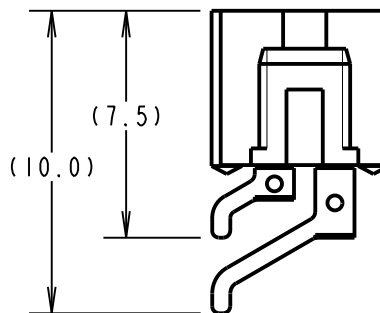
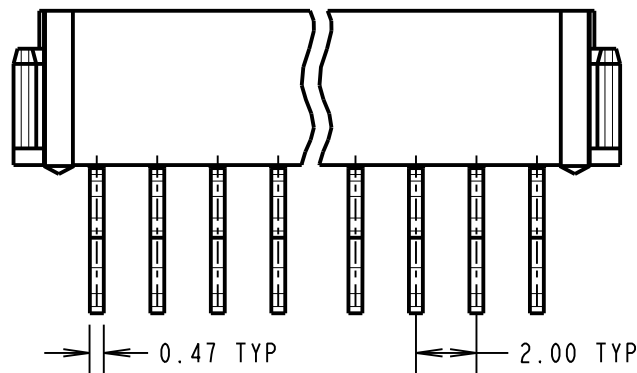
DURABILITY = 500 OPERATIONS

**ENVIRONMENTAL:**

TEMPERATURE RANGE = -55°C TO +125°C

**PACKING:**

TUBE, 2-OFF STRAIN RELIEF STRAPS PER CONNECTOR IN BAG  
 FOR COMPLETE SPECIFICATION, SEE COMPONENT  
 SPECIFICATION C005XX (LATEST ISSUE)

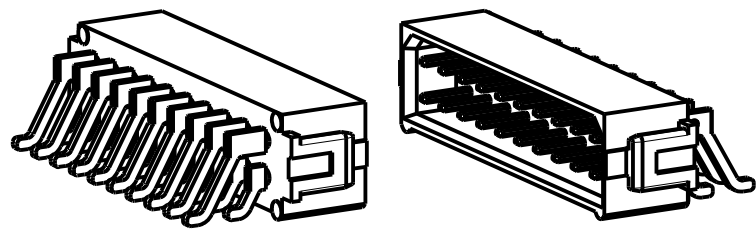


**ORDER CODE:**

**M80-665XXXX**

**No. OF CONTACTS**  
 04, 06, 08, 10, 12, 14,  
 16, 18, 20, 26, 34, 44

**FINISH**  
 22 - GOLD, 90/10 TIN/LEAD  
 42 - GOLD, 100% TIN  
 45 - ALL OVER GOLD



SB	3	09.03.12	11682
NAME	ISS.	DATE	C/NOTE
APPROVED:		S. BENNETT	
CHECKED:		M.G. PLESTED	
DRAWN:		W. J. BOURNE	
CUSTOMER REF.:			
ASSEMBLY DRG:			



www.harwin.com  
 technical@harwin.com

THIS DRAWING AND ANY INFORMATION OR DESCRIPTIVE MATTER SET OUT HEREON ARE CONFIDENTIAL AND COPYRIGHT PROPERTY OF THE HARWIN GROUP AND MUST NOT BE DISCLOSED, LOANED, COPIED OR USED FOR MANUFACTURING, TENDERING OR FOR ANY OTHER PURPOSE WITHOUT THEIR WRITTEN PERMISSION.

**TOLERANCES**  
 X. = ±1mm  
 X.X = ±0.25mm  
 X.XX = ±0.10mm  
 X.XXX = ±0.01mm  
 ANGLES = ±5°  
 UNLESS STATED

**MATERIAL:**  
 SEE ABOVE  
**FINISH:**  
 SEE ABOVE  
**S/AREA:**  
 mm<sup>2</sup>

**TITLE:** STANDARD DATAMATE  
 DIL HORIZONTAL SMT MALE  
 ASSEMBLY (UNLATCHED)  
**DRAWING NUMBER:**  
**M80-665XXXX**  
 SHT 2 OF 2