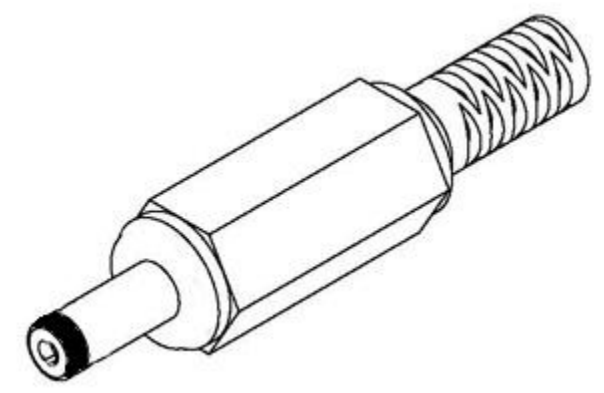
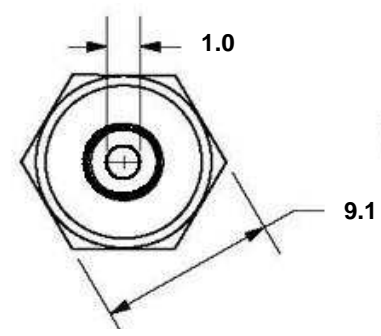
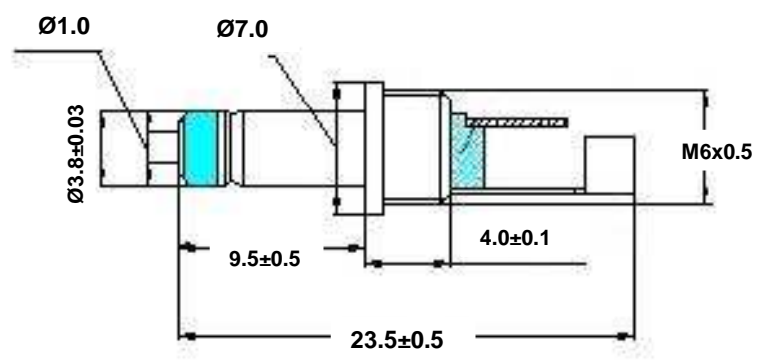
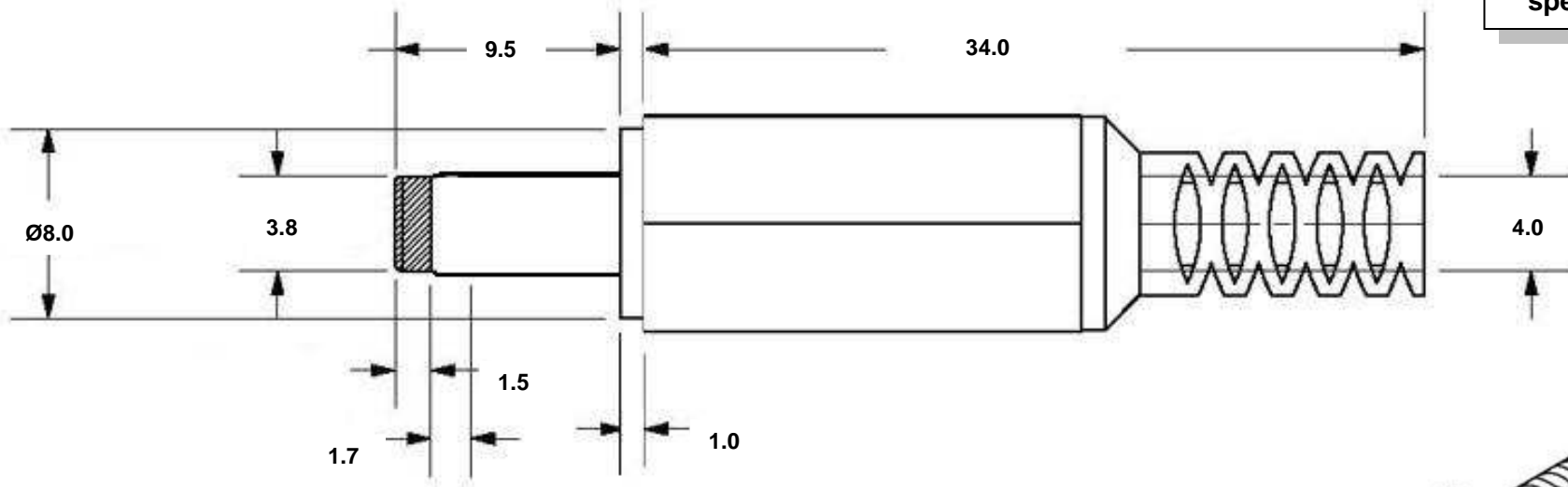




Tolerance is  
± .2MM  
unless  
otherwise  
specified.



REV	DESCRIPTION	DATE	BY
A			
B			

PART NO.	100
DATE	02.15.12
APPROVAL	EB
UNIT	mm
REV	Ø

PART I.D.	DC Plug 1.0 x 3.8 x 9.5mm, Octangle
-----------	-------------------------------------

**CONDOR ELECTRONICS, INC.**  
T: 408-745-7141 F: 408-745-0439  
780 Montague Expy. Ste. 406  
San Jose, CA 95131 USA  
sales@condorelectronics.net