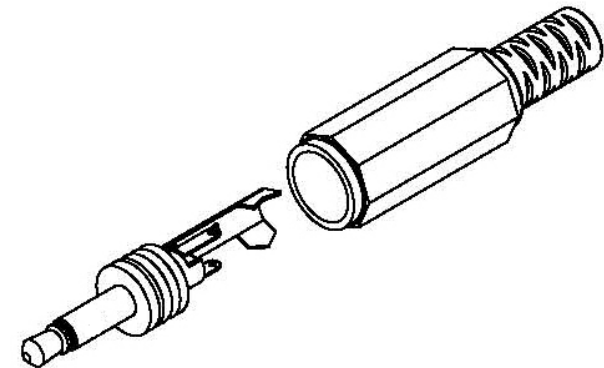
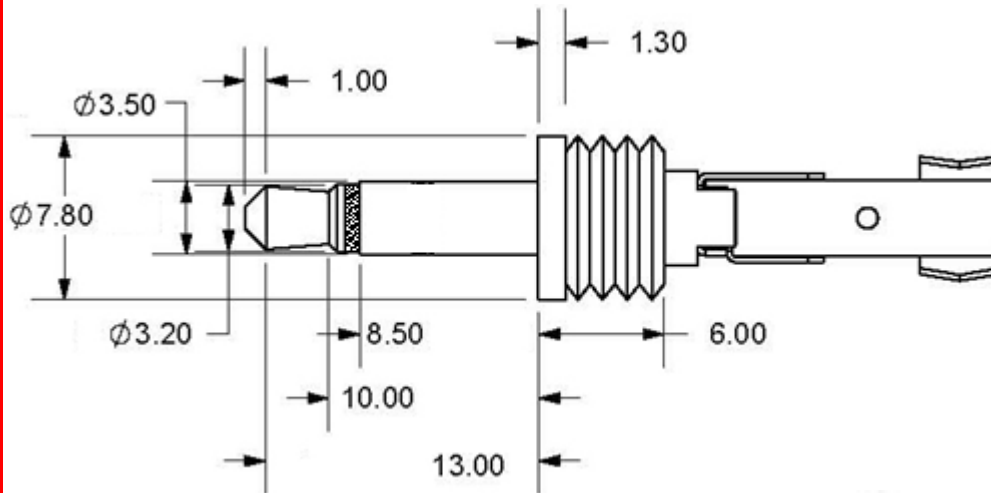
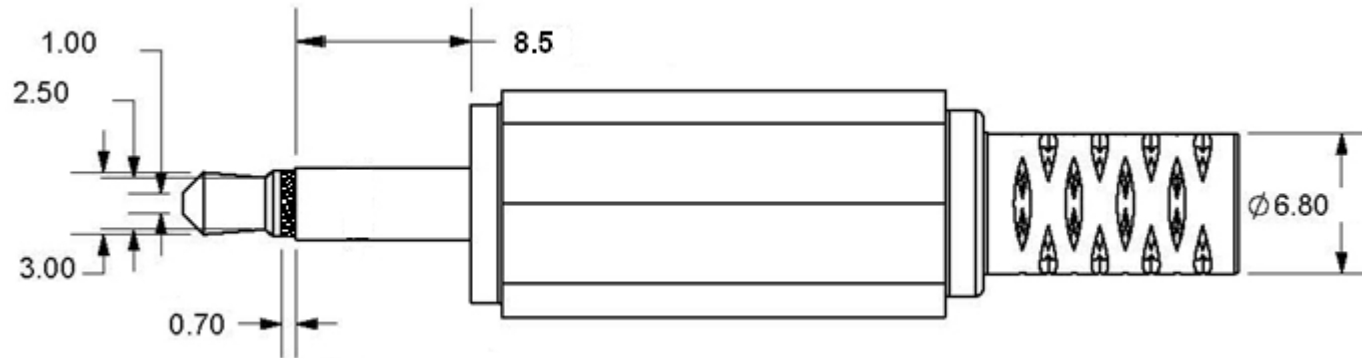




**TOLERANCE**  
 ±0.3mm UNLESS  
 OTHERWISE SPECIFIED



REV	DESCRIPTION	DATE	BY
A			
B			

PART NO.	202
DATE	11.15.11
APPROVAL	EB
UNIT	mm
REV	0

PART I.D.	Mono Plug, 3.5mm Male x 14mm Length, Octangle
-----------	---



**CONDOR ELECTRONICS, INC.**  
 T: 408-745-7141 F: 408-745-0439  
 780 Montague Expy. Ste. 406  
 San Jose, CA 95131 USA  
[sales@condorelectronics.net](mailto:sales@condorelectronics.net)