

ADAPTERS, IN-SERIES

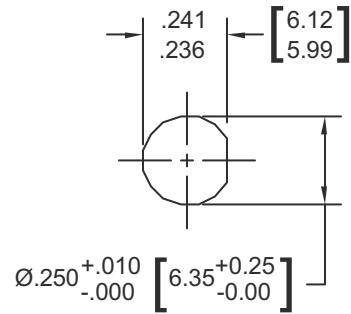
SMA, DC - 3 GHz, Bulkhead Mount

SPECIFICATIONS:

Models: 5211-137

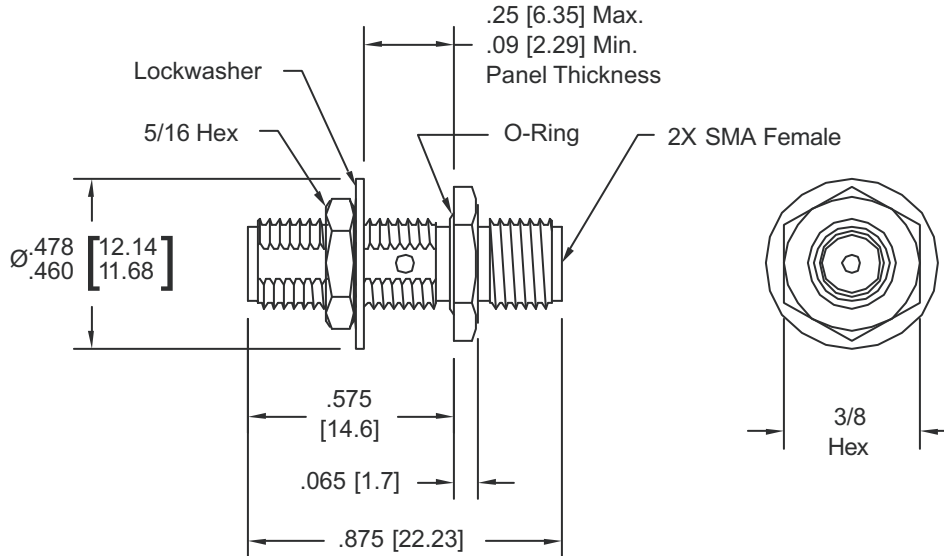
RoHS
Compliant

Electrical:	
Frequency Range _____	DC - 3 GHz
VSWR _____	110:1 Max.
Nominal Impedance _____	50 Ohms
Operating Temp Range _____	-55°C to +125°C
Mechanical:	
Connectors _____	Passivated Stainless Steel
<small>Mates with MIL-STD-348</small>	
Conductors _____	Gold Plated Beryllium Copper
Nut & Washer: _____	Passivated Stainless Steel
O-Ring _____	Silicone Rubber



Recommended Mounting Hole

Model Number: **5211-137**



Note: Dimensions in Brackets are Expressed in Millimeters and are for Reference Only.

5211-137: REV B



Aeroflex / Inmet, Inc. • 300 Dino Drive, Ann Arbor, MI 48103 • U.S.A.
888-244-6638 or 734-426-5553 • FAX: 734-426-5557
www.aeroflex.com/inmet • inmet-sales@eroflex.com