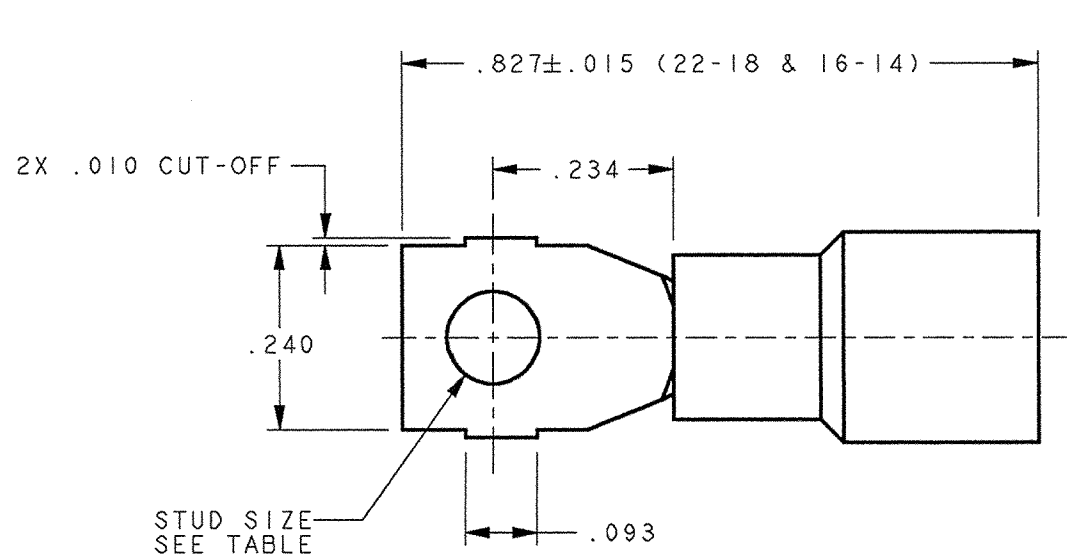


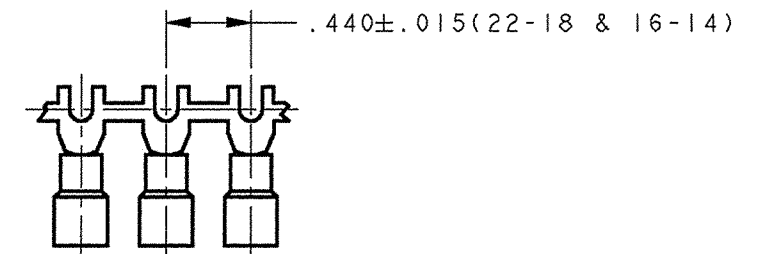
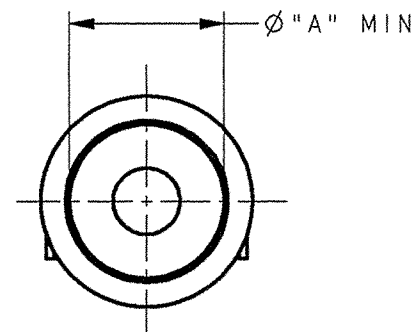
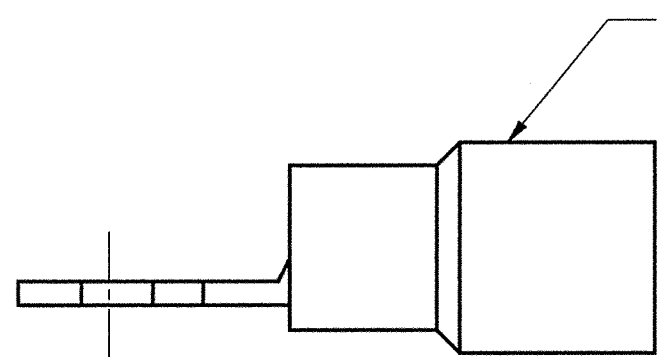
CUSTOMER DRAWING

P/N: 7500798-7501078 REV A

PART NO.	"A" MIN.	SLEEVE COLOR	WIRE SIZE	STUD SIZE
7500798	.142	RED	22-18	#0
7500838	.197	BLUE	16-14	
7500878	.142	RED	22-18	#2
7500918	.197	BLUE	16-14	
7500958	.142	RED	22-18	#4
7500998	.197	BLUE	16-14	
7501038	.142	RED	22-18	#6
7501078	.197	BLUE	16-14	



- NOTES:
 1. MATERIAL:
 TERMINAL: .031 THICK COPPER
 PRE-ELECTRO-TIN PLATE: (22-18 & 16-14AWG)
 SLEEVE: 6/6 NYLON
 2. RECOMMENDED STRIP LENGTH: 9/32 ± 1/32 (22-18 & 16-14)
 3. FOR LOOSE PIECE PARTS, ADD SUFFIX 1 TO PART NUMBER (e.g. 75007981)
 4. FOR STANDARD REELING SEE FIGURE 1.



FABRICATED TERMINAL STRIP SCALE 1X

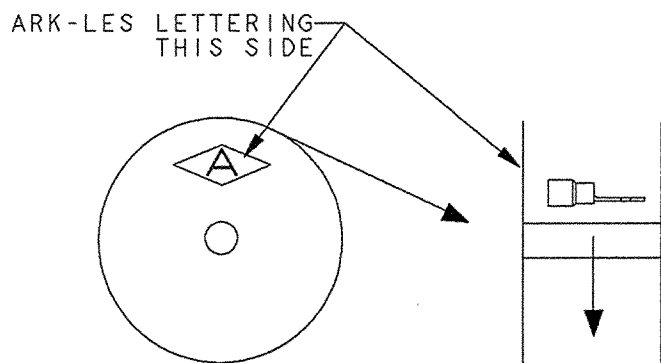
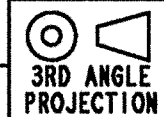


FIGURE 1 REELING DIAGRAM

ARK-LES
UNCONTROLLED

				PRINT DIST.	PROD. REL. ECR12541	8-1-03	CHK'D	TOLERANCES UNLESS OTHERWISE SPECIFIED	STOUGHTON, MA ORIGINAL IF RED
				DEPT #	QUOTE REL.		APPROV. RWT 6-18-03	DECIMALS ±.010	
				ENG 1	DRAWN BY BJC 6/10/03		APP. KTB 6-30-03	METRIC ±0.25mm	PART .240 PRE-INSULATED NAME SQ. SPADE TERMINAL
				SALES	SUPERSEDES DWG. DATED:			ANGLES ±1°	CAD#: .240SQ-SPADE-ASSY
				STO 8	SCALE 4X	DO NOT SCALE PRINT			P/N: 7500798-7501078
				RAL	MATERIAL: SEE NOTE 1				
REV.	DESCRIPTION	DATE	DR.	JZ	FINISH: SEE NOTE 1				
				CHINA					



REV A