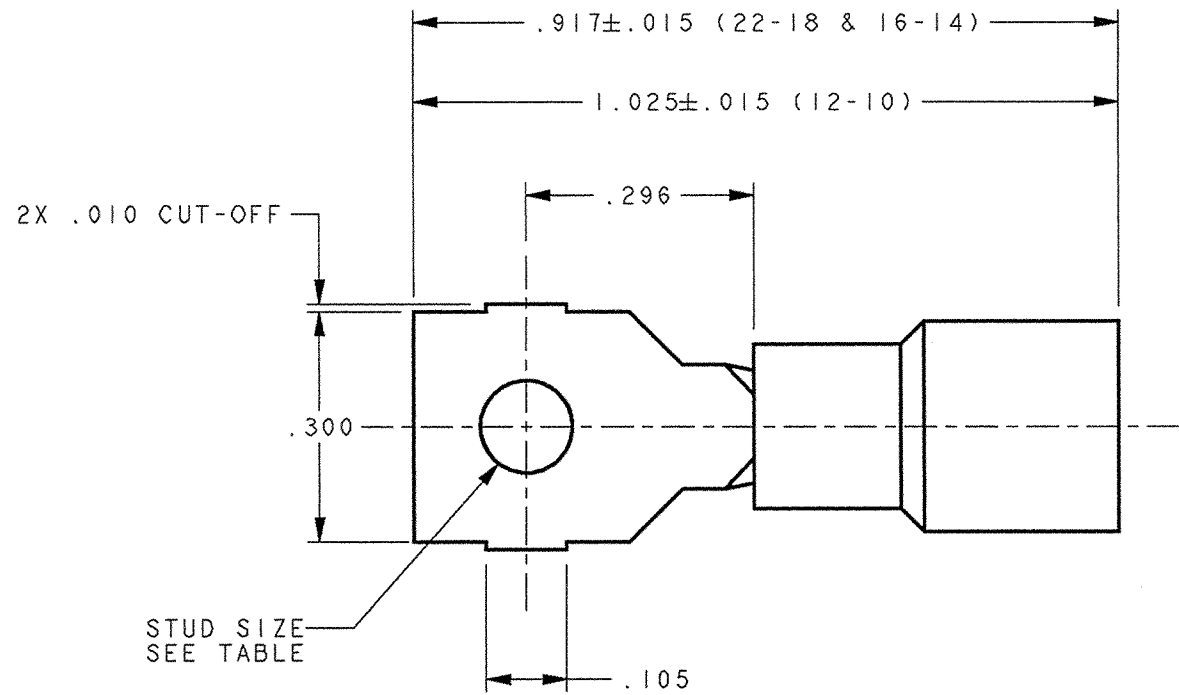


CUSTOMER DRAWING

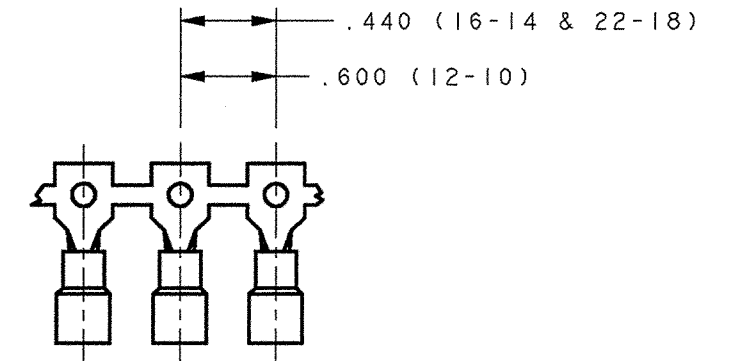
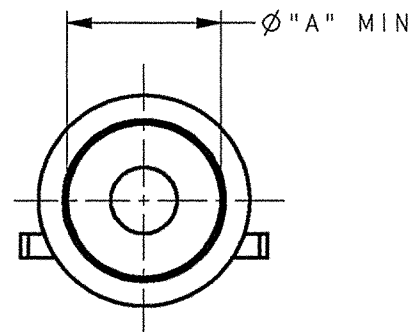
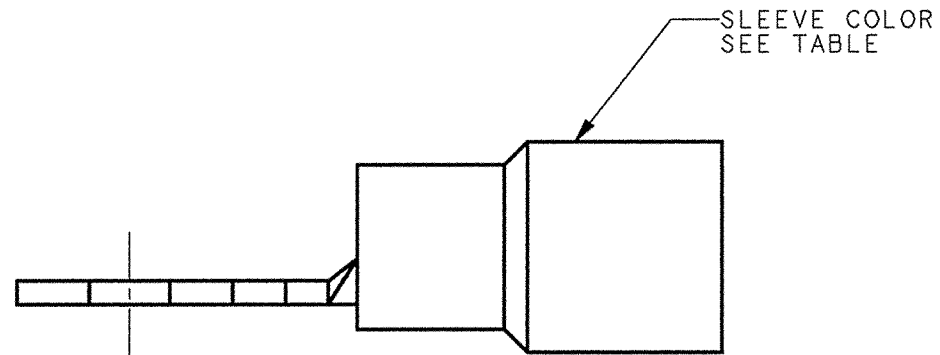
P/N: 7502618-7503058

REV  
A

PART NO.	"A" MIN.	SLEEVE COLOR	WIRE SIZE	STUD SIZE
7502618	.142	RED	22-18	#4
7502658	.197	BLUE	16-14	
7502698	.257	YELLOW	12-10	
7502738	.142	RED	22-18	#6
7502778	.197	BLUE	16-14	
7502818	.257	YELLOW	12-10	
7502858	.142	RED	22-18	#8
7502898	.197	BLUE	16-14	
7502938	.257	YELLOW	12-10	
7502978	.142	RED	22-18	#10
7503018	.197	BLUE	16-14	
7503058	.257	YELLOW	12-10	



- NOTES:  
 1. MATERIAL:  
 TERMINAL: .031 THICK COPPER  
 PRE-ELECTRO-TIN PLATE: (22-18 & 16-14AWG)  
 .040 THICK COPPER  
 PRE-ELECTRO-TIN PLATE: (12-10AWG)  
 SLEEVE: 6/6 NYLON  
 2. RECOMMENDED STRIP LENGTH: 9/32 ± 1/32 (22-18 & 16-14)  
 5/16 ± 3/64 (12-10)  
 3. FOR LOOSE PIECE PARTS, ADD SUFFIX 1  
 TO PART NUMBER (e.g. 75026181)  
 4. FOR STANDARD REELING SEE FIGURE 1.



FABRICATED TERMINAL STRIP  
SCALE 1X

**ARK-LES**  
**UNCONTROLLED**

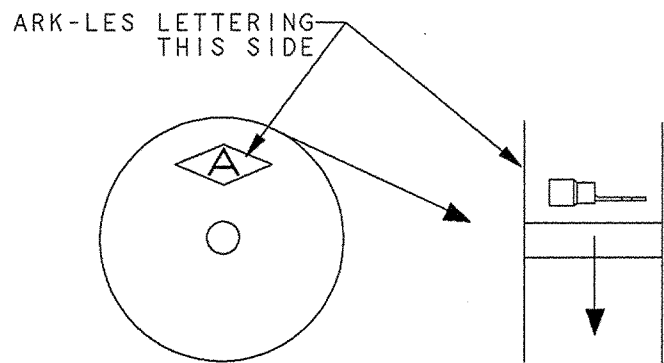


FIGURE 1  
REELING DIAGRAM

PRINT DIST.	PROD. REL. ECR12541	8-1-03	CHK'D	TOLERANCES UNLESS OTHERWISE SPECIFIED	 STOUGHTON, MA <b>ORIGINAL (RED)</b>
DEPT #	QUOTE REL.		RWT 6-18-03	DECIMALS ±.010	
ENG 1	DRAWN BY BJC 5/13/03		APP.	METRIC ±0.25mm	PART .300 PRE-INSULATED NAME SQ SPADE TERMINAL CAD#: .300SQ-SPADE-ASSY
SALES	SUPERSEDES DWG. DATED:		W-30 6-30-03	ANGLES ±1°	
STO 8	SCALE 4X	DO NOT SCALE PRINT		 3RD ANGLE PROJECTION	P/N: 7502618-7503058
RAL	MATERIAL: SEE NOTE 1				
JZ	FINISH: SEE NOTE 1				REV A
CHINA					
REV.	DESCRIPTION	DATE	DR.		