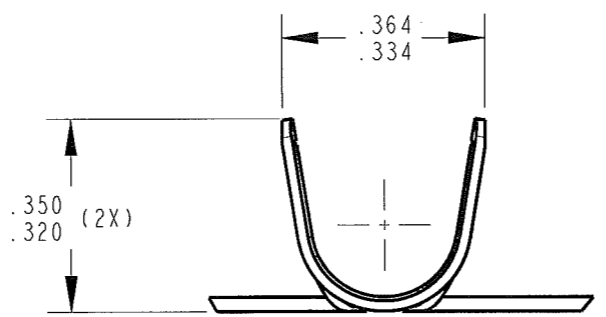
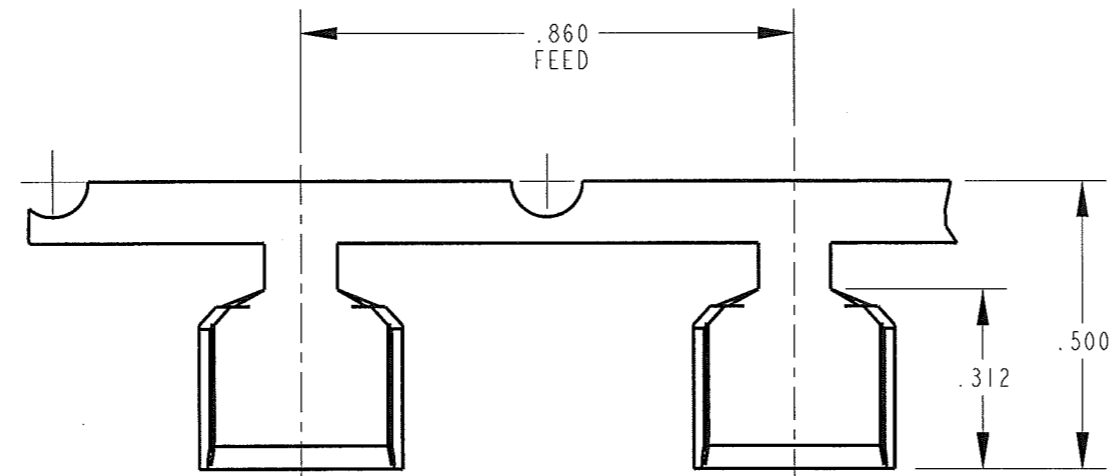
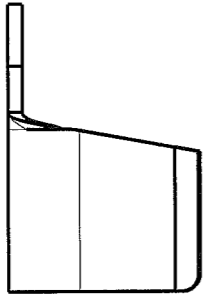
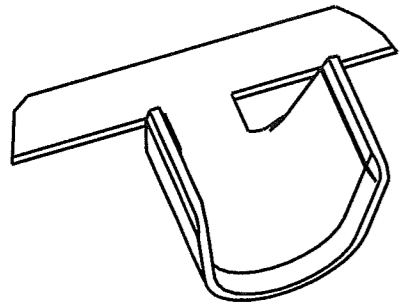


CUSTOMER DRAWING

P/N: 3800S 175/-6

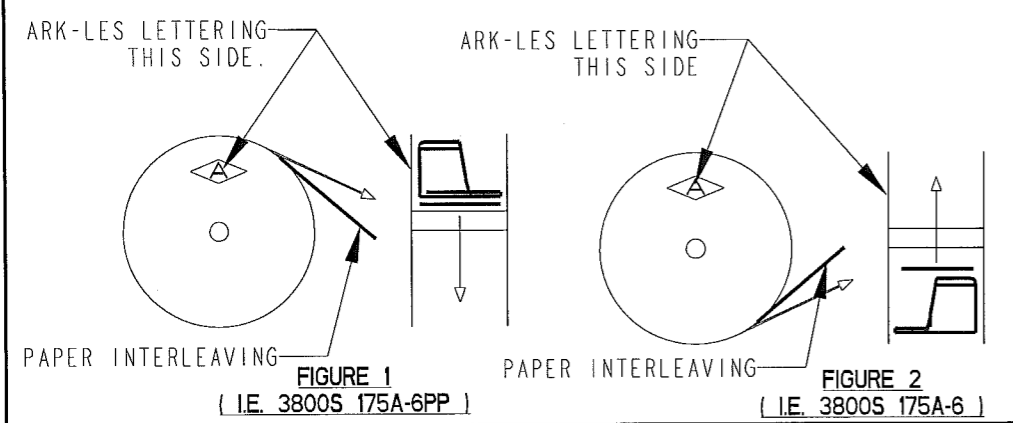
REV
N

PART NUMBER	MATERIAL	FINISH
3800S 175A-6	.025 THICK BRASS	PRETINNED
3800S 175AB-6	.025 THICK BRASS	NONE
3800S 175AD-6	.025 THICK BRASS	POST-TIN



- NOTES:
1. CMA RANGE: 12000 TO 29000.
 2. FOR PIGTAIL SPLICES USED IN A BENCH APPLICATOR, ADD SUFFIX "PP" TO PART NUMBER (i.e. 3800S 175A-6PP), SEE FIGURE 1 FOR REELING.
 3. FOR THROUGH SPLICES USED IN A BENCH APPLICATOR, THE PART NUMBER REMAINS THE SAME AS IN THE TABLE (i.e. 3800S 175A-6). SEE FIGURE 2 FOR REELING.
 4. FOR PIGTAIL AND THROUGH SPLICES USED IN A SLIM-LINE AIR PRESS, THE PART NUMBER REMAINS THE SAME AS IN THE TABLE (i.e. 3800S 175A-6). SEE FIGURE 2 FOR REELING.
 5. PAPER INTERLEAVING ADDED TO REDUCE TANGLING IN REELS.

ARK-LES
UNCONTROLLED



PROD. REL.	ECR 9458	11/10/1980	CHK'D		TOLERANCES UNLESS OTHERWISE SPECIFIED
QUOTE REL.			DD 11/17/06		
DEPT #			DRAWN BY D.O'NEILL 11/03/06	APP.	DECIMALS ±.010
ENG	X		SUPERSEDES DWG. DATED: 5/22/01	11-17-06	METRIC ±0.25mm
SALES			SCALE 3:1	DO NOT SCALE PRINT	ANGLES ±1°
STO	X		MATERIAL: SEE TABLE		3RD ANGLE PROJECTION DWG SIZE B
RAL			FINISH: SEE TABLE		
JZ					PART NAME
CHINA					CUSTOMER DRAWING SPLICE TERMINAL
REV.	N	REV/REDRWN ECR# S000127	11/03/06	DON	CAD#: 3800S_175-6-REVN_CUST
		DESCRIPTION	DATE	DR.	P/N: 3800S 175/-6
					REV N

Ark-Les
CORPORATION
STOUGHTON, MA

ORIGINAL IF RED