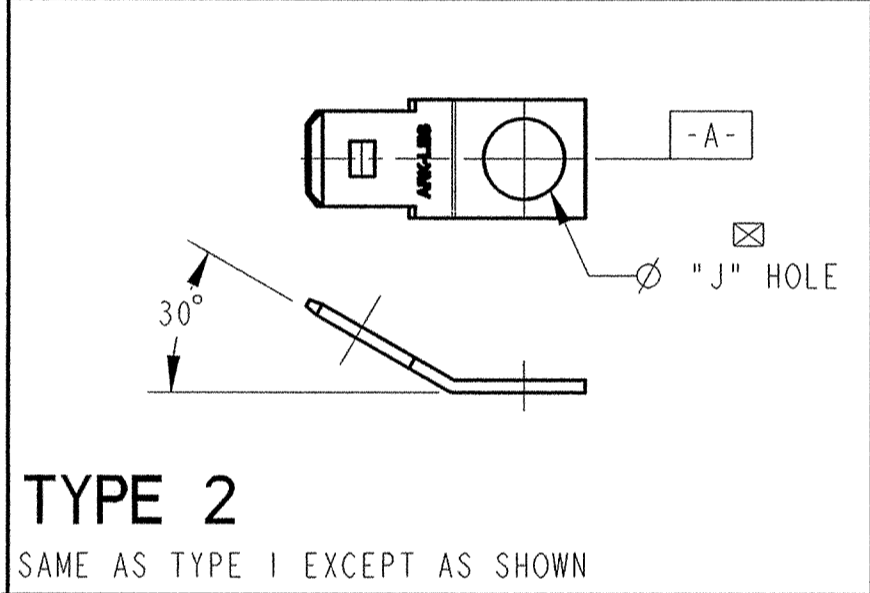


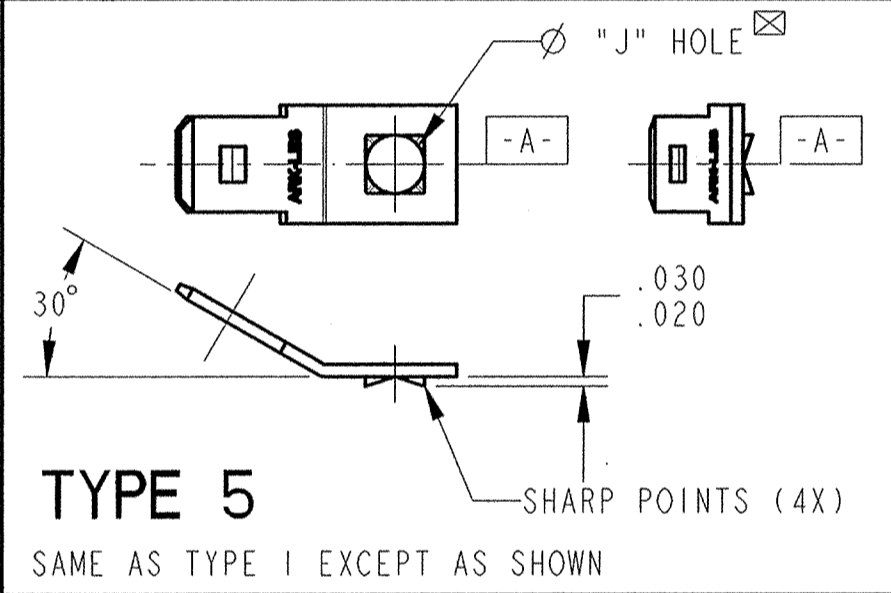
TYPE 1
SCALE 4:1

- NOTES:
1. TO ACCEPT .250 X .032 FEMALE RECEPTACLE.
 2. ARK-LES TO BE DIE STAMPED MAX. DEPTH .010.
 3. ALL PORTIONS OF THE TAB SHOWN SHALL BE FLAT AND FREE FROM BURRS OR RAISED PLATEAUS EXCEPT THAT THERE MAY BE, IN AN AREA .050 INCH SURROUNDING THE DETENT, A RAISED PLATEAU OVER THE STOCK THICKNESS OF .001 INCH PER SIDE.
 4. CERTIFICATE OF COMPLIANCE/ANALYSIS MUST ACCOMPANY EACH LOT.
 5. ☒ = PRE-CONTROL DIMENSION.

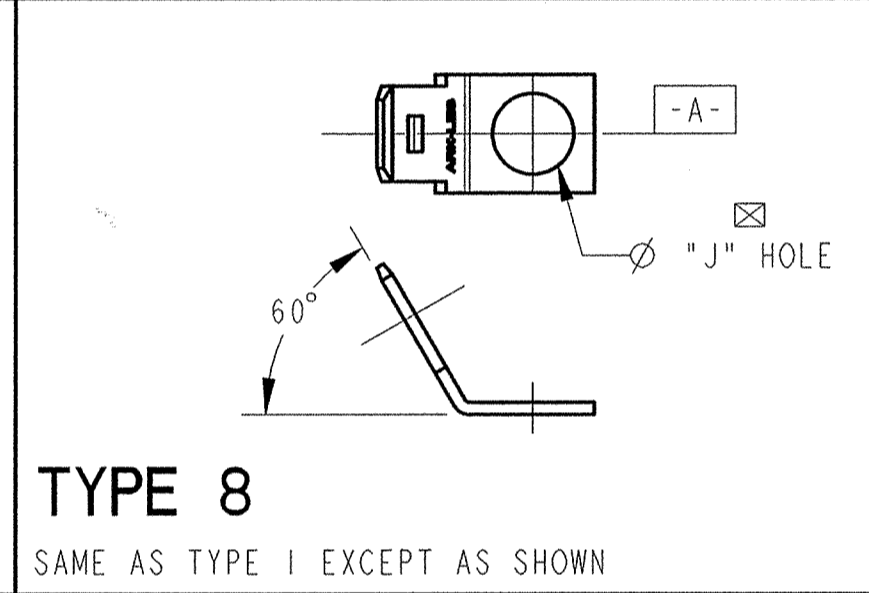
PART NUMBER	TYPE	DIA. "J" HOLE	FINISH	NOTES
3000M 68	2	.213/.211	NONE	
3000M 68-1	4	.213/.211	NONE	
3000M 68-1A	4	.213/.211	ELECTRO-TIN PCS1002	
3000M 68-1B	4	.156/.152	ELECTRO-TIN PCS1002	
3000M 68-2	8	.213/.211	NONE	
3000M 68B	7	.213/.211	NONE	
3000M 68B-1	7	.132/.128	ELECTRO-TIN PCS1002	
3000M 68C	2	.213/.211	ELECTRO-TIN PCS1002	
3000M 68D	1	.132/.128	NONE	
3000M 68D-1	1	.132/.128	ELECTRO-TIN PCS1002	
3000M 68D-2	1	.156/.152	ELECTRO-TIN PCS1002	
3000M 68F	2	.166/.162	ELECTRO-TIN PCS1002	
3000M 68F-1	2	.166/.162	NONE	
3000M 68F-2	2	.166/.162	BRIGHT DIP	
3000M 68G	1	.213/.211	NONE	
3000M 68H	2	.132/.128	NONE	
3000M 68H-1	4	.132/.128	NONE	
3000M 68H-2	4	.132/.128	ELECTRO-TIN PCS1002	
3000M 68H-3	4	.132/.128	TIN/LEAD PLATE PCS 1027	SEE NOTE 5
3000M 68H-4	7	.132/.128	NONE	
3000M 68H-5	9	.132/.128	NONE	
3000M 68J	2	.224/.219	NONE	
3000M 68K	2	.175/.170	NONE	
3000M 68K-1	2	.175/.170	ZINC & GREEN DYE PER PCS 1035	
3000M 68L	3	.175/.170	NONE	
3000M 68L-2	3	.156/.152	NONE	
3000M 68N	1	.166/.162	NONE	
3000M 68P	5	.156/.152	NONE	
3000M 68Y	2	.103/.099	NONE	
3000M 68Y-1	4	.103/.099	NONE	
3000M 68Y-2	1	.103/.099	ELECTRO-TIN PCS1002	
3000M 68Y-3	4	.103/.099	ELECTRO-TIN PCS1002	
3000M 68Z	6	.103/.099	NONE	
3000M 68Z-1	6	.103/.099	ELECTRO-TIN PCS1002	
3000M 68Z-2	7	.103/.099	NONE	



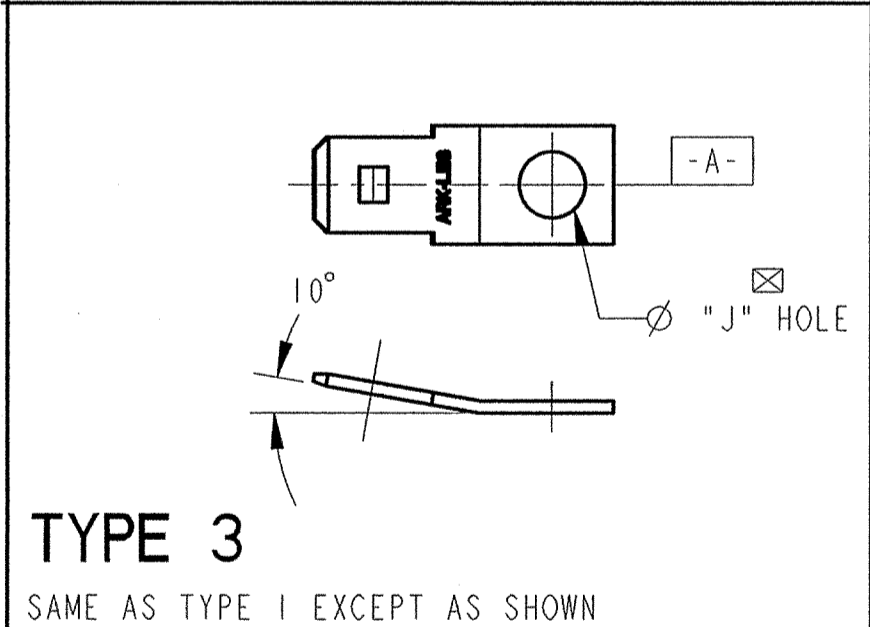
TYPE 2
SAME AS TYPE 1 EXCEPT AS SHOWN



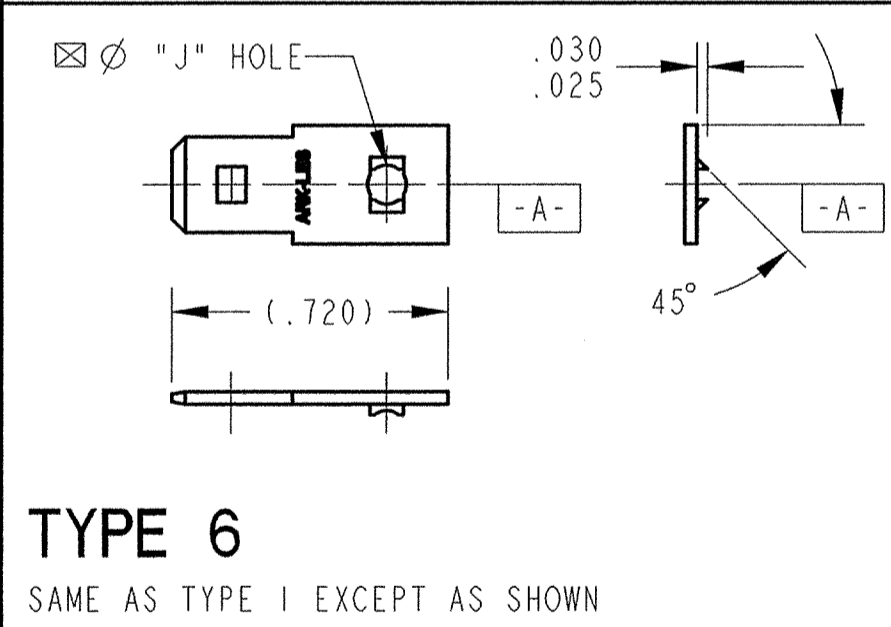
TYPE 5
SAME AS TYPE 1 EXCEPT AS SHOWN



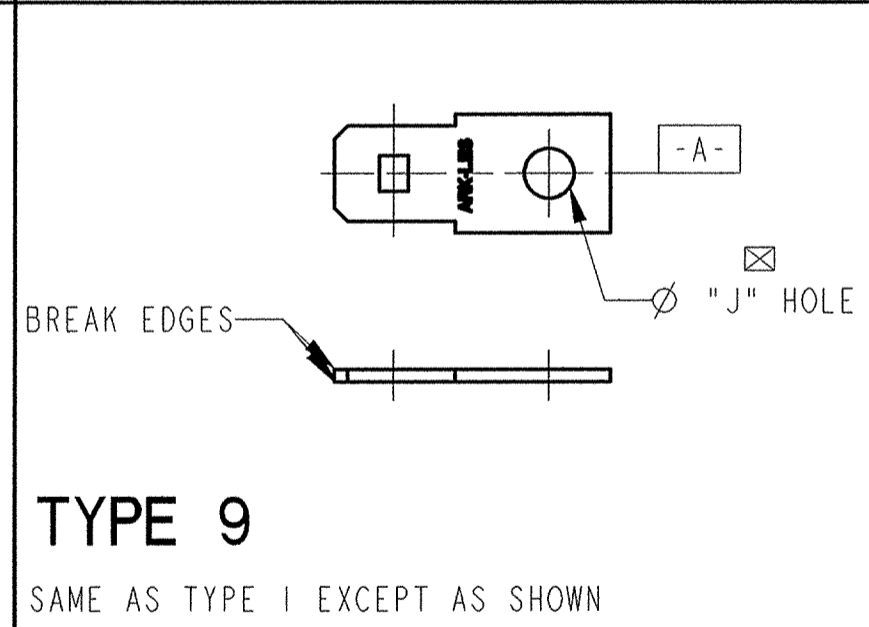
TYPE 8
SAME AS TYPE 1 EXCEPT AS SHOWN



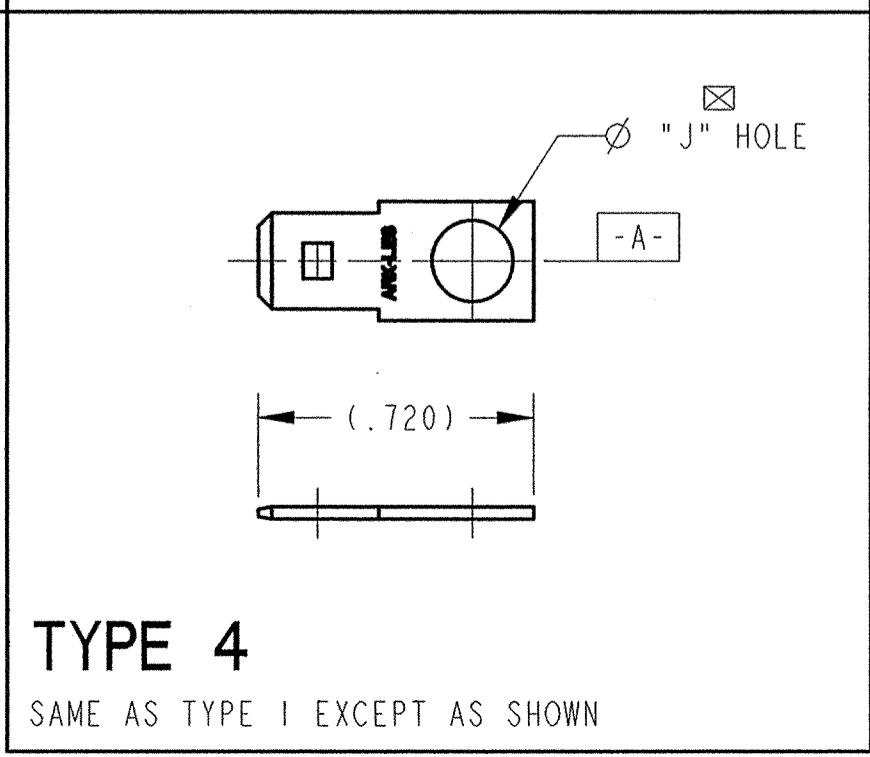
TYPE 3
SAME AS TYPE 1 EXCEPT AS SHOWN



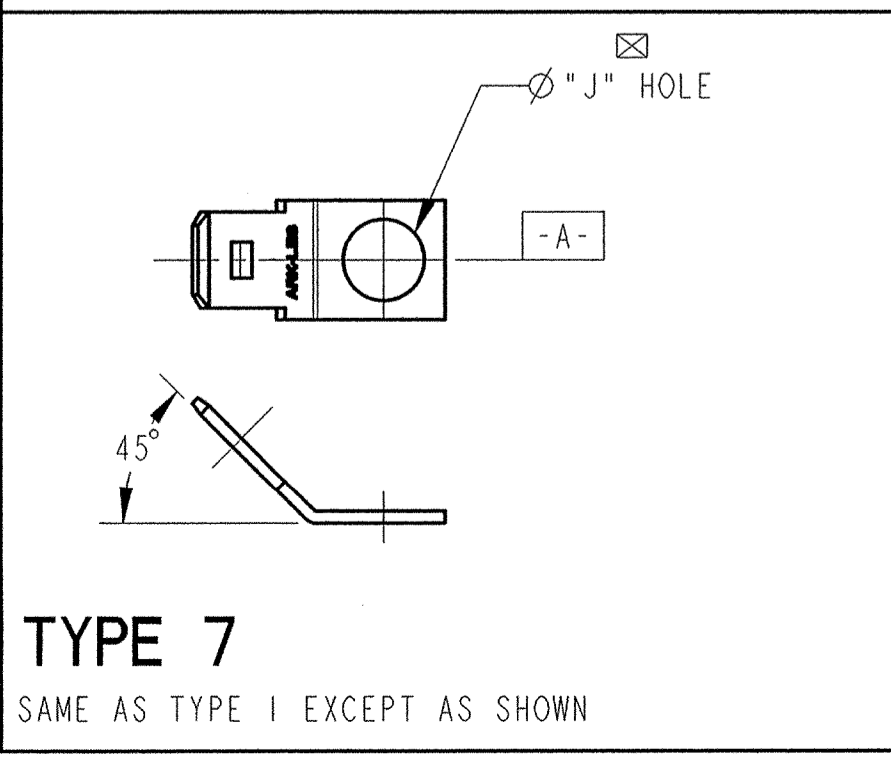
TYPE 6
SAME AS TYPE 1 EXCEPT AS SHOWN



TYPE 9
SAME AS TYPE 1 EXCEPT AS SHOWN



TYPE 4
SAME AS TYPE 1 EXCEPT AS SHOWN



TYPE 7
SAME AS TYPE 1 EXCEPT AS SHOWN

ARK-LES
UNCONTROLLED

PRINT DIST.	PROD. REL.	PER TP	6/27/74	CHK'D	TOLERANCES UNLESS OTHERWISE SPECIFIED
DEPT #	QUOTE REL.			APP.	DECIMALS ±.010
ENG	DRAWN BY D.O'NEILL 6/17/04				ANGLES ±1°
SALES	SUPERSEDES DWG. DATED: 7/31/96				METRIC ±0.25mm
STO	SCALE 2:1	DO NOT SCALE PRINT			3RD ANGLE PROJECTION
RAL	MATERIAL: C26000, 1/2 HARD				DWG SIZE: C
JZ	R30T 56.5 - 68.0				
CHINA	FINISH: SEE TABLE				

ARK-LES CORPORATION STOUGHTON, MA
ORIGINAL IF RED
PART NAME TERMINAL, MALE - 1 WAY
CAD#: 3000M_68-RevAC.DRW
P/N: 3000M 68/