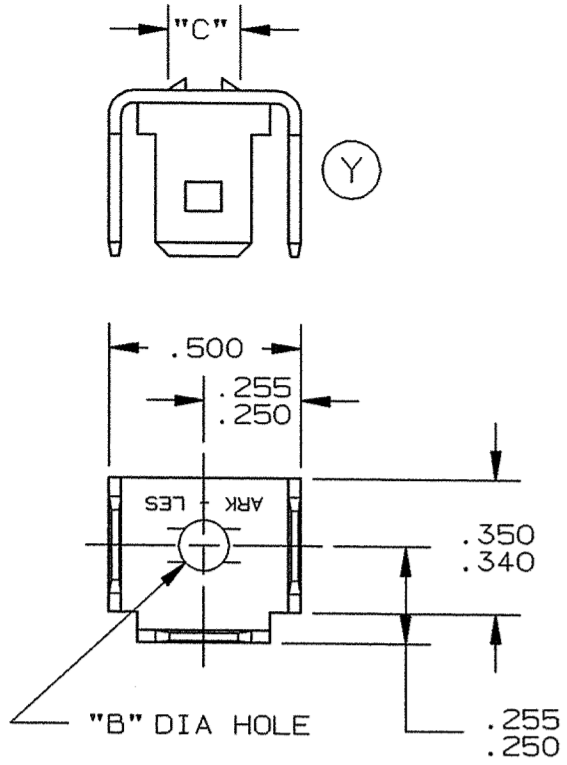
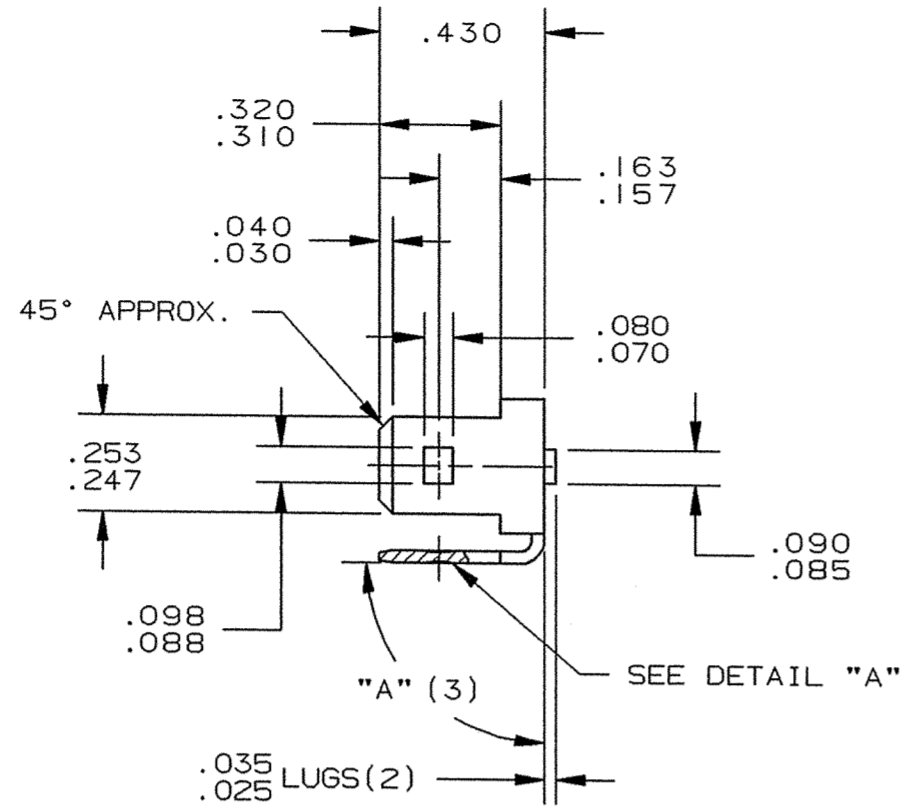


DEPT	1
1	1
2	
3	
4	2
5	
6	
7	
8	
9	
10	
11	
12	8
NC	
JZ	3

PART NAME: TERMINAL, MALE 3-WAY

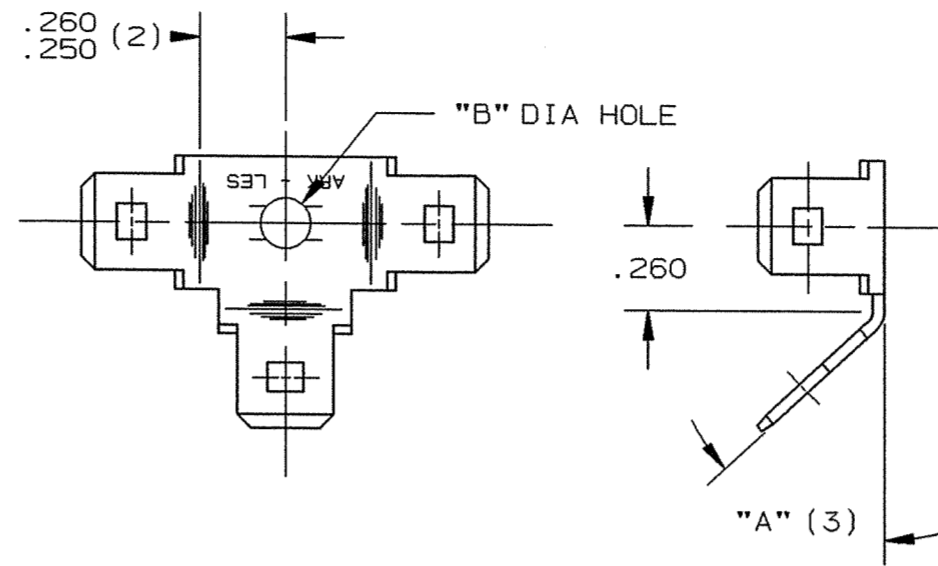


TYPE 1



TYPE 2

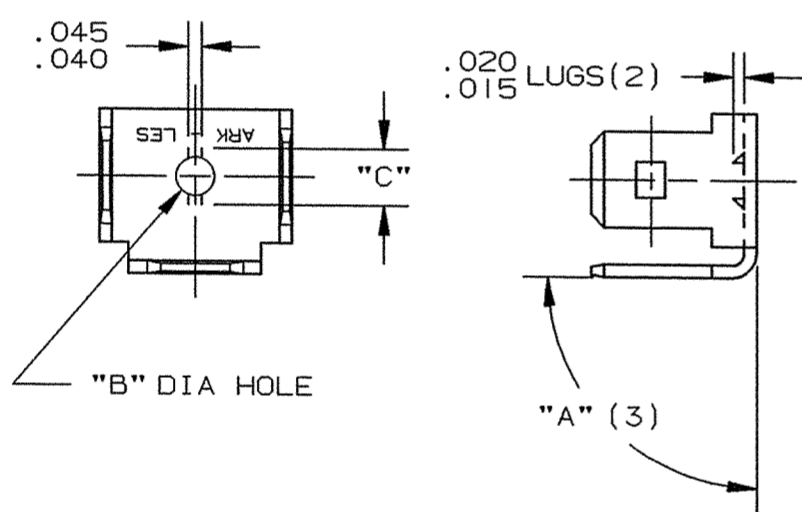
REF. TYPE 1 FOR OTHER DIMENSIONS



NOTES:

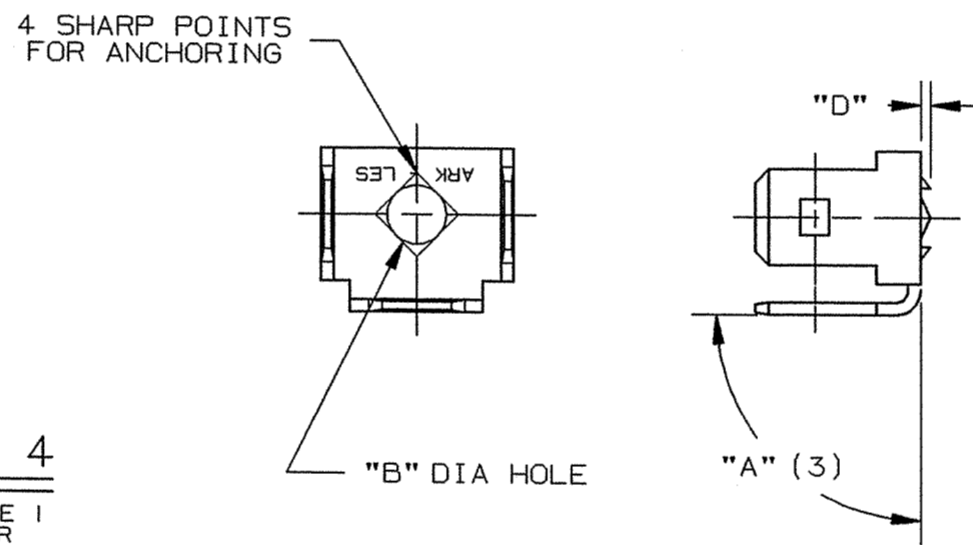
1. ALL PORTIONS OF THE TAB SHOWN SHALL BE FLAT AND FREE FROM BURRS OR RAISED PLATEAUS, EXCEPT THAT THERE MAY BE, IN AN AREA .050 INCH SURROUNDING THE DETENT, A RAISED PLATEAU OVER THE STOCK THICKNESS OF .001 INCH PER SIDE.
2. DETENT SHALL BE LOCATED WITHIN .005 OF THE CENTERLINE OF THE TAB.
3. ARK-LES TO BE DIE STAMPED.
4. MALE TAB MUST CONFORM TO UL 310.
5. TO ACCOMMODATE A .250 x .032 FEMALE RECEPTACLE.
6. SEE SHEET 2 FOR TABLE.

(W)



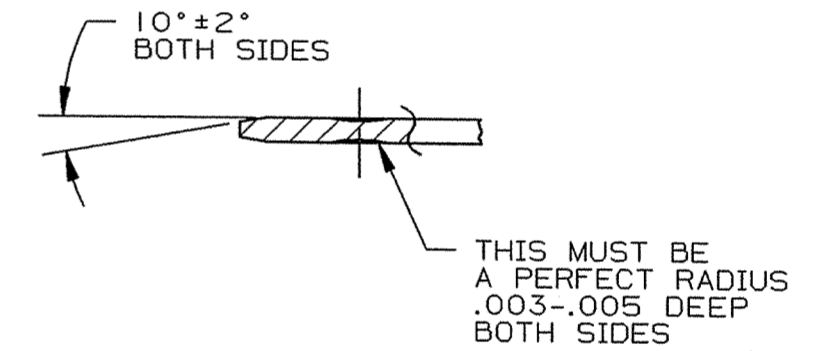
TYPE 3

REF. TYPE 1 FOR OTHER DIMENSIONS



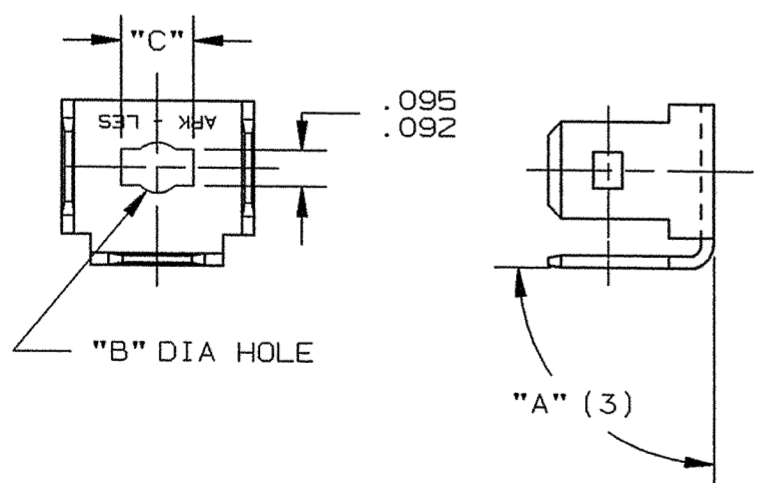
TYPE 4

REF. TYPE 1 FOR OTHER DIMENSIONS



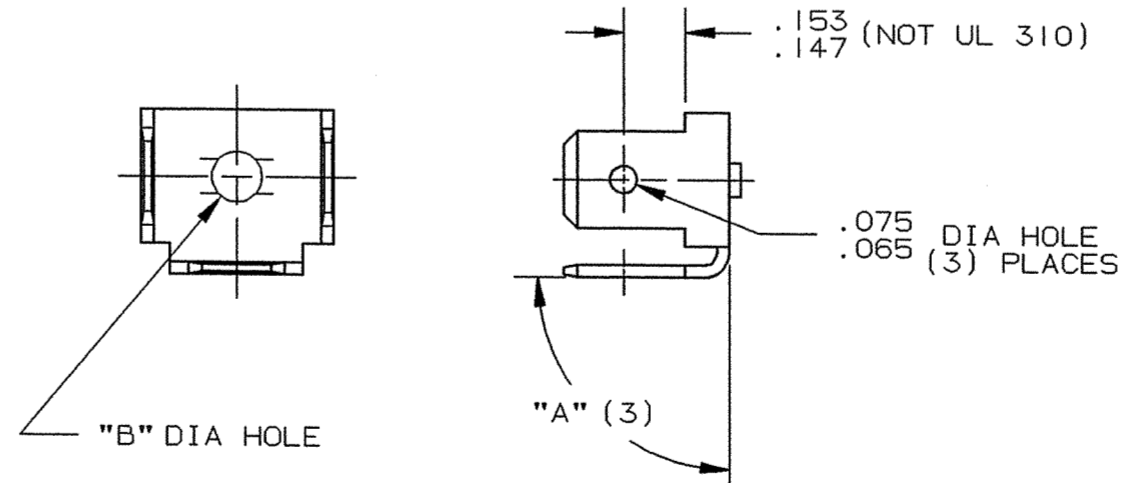
DETAIL A

SCALE 4:1



TYPE 5

REF. TYPE 1 FOR OTHER DIMENSIONS



TYPE 6

REF. TYPE 1 FOR OTHER DIMENSIONS

ARK-LES UNCONTROLLED

PROD. REL.	PER T.P.	8/23/74	P.C.	TOLERANCES UNLESS OTHERWISE SPECIFIED:
QUOTE REL.				DECIMALS ±.010 METRIC ±0.25mm ANGLES ±1°
Z	REVISED PER ECR #12274	4/2/02	RT	DR: B J CARUTHERS 7/20/93
Y	VIEW ADDED TO TYPE 1 PER ECR #9840	11/3/93	BJC	CHK'D: R.W.T. 4-2-02
W	REVISED & REDRAWN PER ECR #9722	7/20/93	BJC	APP: <i>KJA</i> 4-3-02
REV.	DESCRIPTION	DATE	DR.	SUPERCEDES DWG. DATED: 6/19/85
				PART NO: 3000M 48/
				SCALE: 2:1 CAD NO: CTP0008

DEPT	
1	1
2	
3	
4	2
5	
6	
7	
8	
9	
10	
11	
12	8
NC	
JZ	3

PART NAME:

TERMINAL, MALE 3-WAY

PART NO: 3000M 48/

SHEET 2 OF 2

PART NUMBER	TYPE	MATERIAL	FINISH	ANGLE "A"	"B" DIA	"C"	"D"	REMARKS	
3000M 48	1	.032 ±.001 THK BRASS C26000, 70/30, H.H. R30T 56.5-68.0	NONE	88°	.132 .128	.190 .185	---		
3000M 48-2	1		NONE	88°	.132 .128	---	---	LESS ANTI-ROTATION	
3000M 48-2A	1		ELECTRO-TIN PCS 1002	88°	.132 .128	---	---	LESS ANTI-ROTATION	
3000M 48-2B	6		ELECTRO-TIN PCS 1002	88°	.132 .128	---	---	LESS ANTI-ROTATION	
3000M 48-3	2		NONE	45° ±3°	.195 .192	---	---	LESS ANTI-ROTATION	
3000M 48C	1		ELECTRO-TIN PCS 1002	88°	.132 .128	.190 .185	---		
3000M 48C-1	6		ELECTRO-TIN PCS 1002	88°	.132 .128	.190 .185	---		
3000M 48G	1		NONE	88°	.101 .097	---	---	LESS ANTI-ROTATION	
3000M 48G-1	3		NONE	88°	.101 .097	.150 .145	---		
3000M 48G-4	1		ELECTRO-TIN PCS 1002	88°	.101 .097	---	---	LESS ANTI-ROTATION	
3000M 48K	1		NONE	88°	.192 .187	---	---	LESS ANTI-ROTATION	
3000M 48K-1	1		ELECTRO-TIN PCS 1002	88°	.192 .187	---	---	LESS ANTI-ROTATION	
3000M 48K-2	1		ELECTRO-TIN PCS 1002	88°	.203 .196	---	---	LESS ANTI-ROTATION	
3000M 48L	1		ELECTRO-TIN PCS 1002	88°	.156 .151	---	---	LESS ANTI-ROTATION	
3000M 48L-1	1		ELECTRO-TIN PCS 1002	88°	.156 .151	.220 .215	---		
3000M 48L-2	1		NONE	88°	.156 .151	---	---	LESS ANTI-ROTATION	
3000M 48L-3	4		ELECTRO-TIN PCS 1002	88°	.156 .151	---	.030 .020		
3000M 48L-4	1		.032 ±.001 THK 3% SILICON BRONZE C65500, R30T 60-70	ELECTRO-TIN PCS 1002	88°	.156 .151	.220 .215	---	
3000M 48M	5		.032 ±.001 THK BRASS C26000, 70/30, H.H. R30T 56.5-68.0	NONE	88°	.132 .128	.187	---	
3000M 48M-1	5			SILVER PLATE OVER COPPER-PCS 1005	88°	.132 .128	.187	---	
3000M 48Q	1	SILVER PLATE OVER COPPER-PCS 1005		88°	.132 .128	.190 .185	---		
3000M 48V	1	NONE		88°	.132 .128	.190 .185	---	ANTI-ROTATION ROTATED 90°	
3000M 48Y	4	NONE		45°	.132 .128	---	.030 .020		
3000M 48Z	4	NONE		88°	.171 .168	---	.031 MIN.		

(Z)

**ARK-LES
UNCONTROLLED**

SHEET 2 OF 2

PROD. REL.	PER T.P.	8/23/74	P.C.	TOLERANCES UNLESS OTHERWISE SPECIFIED:
QUOTE REL.				DECIMALS ±.010 METRIC ±0.25mm ANGLES ±1°
DR:	B J CARUTHERS	7/20/93		MATERIAL: SEE TABLE
Z	3000M 48L-2 ADDED PER ECR #12274	4/2/02	RT	CHK'D: R.W.T. 4-2-02
Y	VIEW ADDED TO TYPE 1 PER ECR #9840	11/3/93	BJC	APP: <i>BJC</i> 4-2-02
W	REVISED & REDRAWN PER ECR #9722	7/20/93	BJC	SUPERCEDES DWG. DATED: 6/19/93
REV.	DESCRIPTION	DATE	DR.	SCALE: CAD NO: CTPO010
				PART NO: 3000M 48/

ORIGINAL IF RED