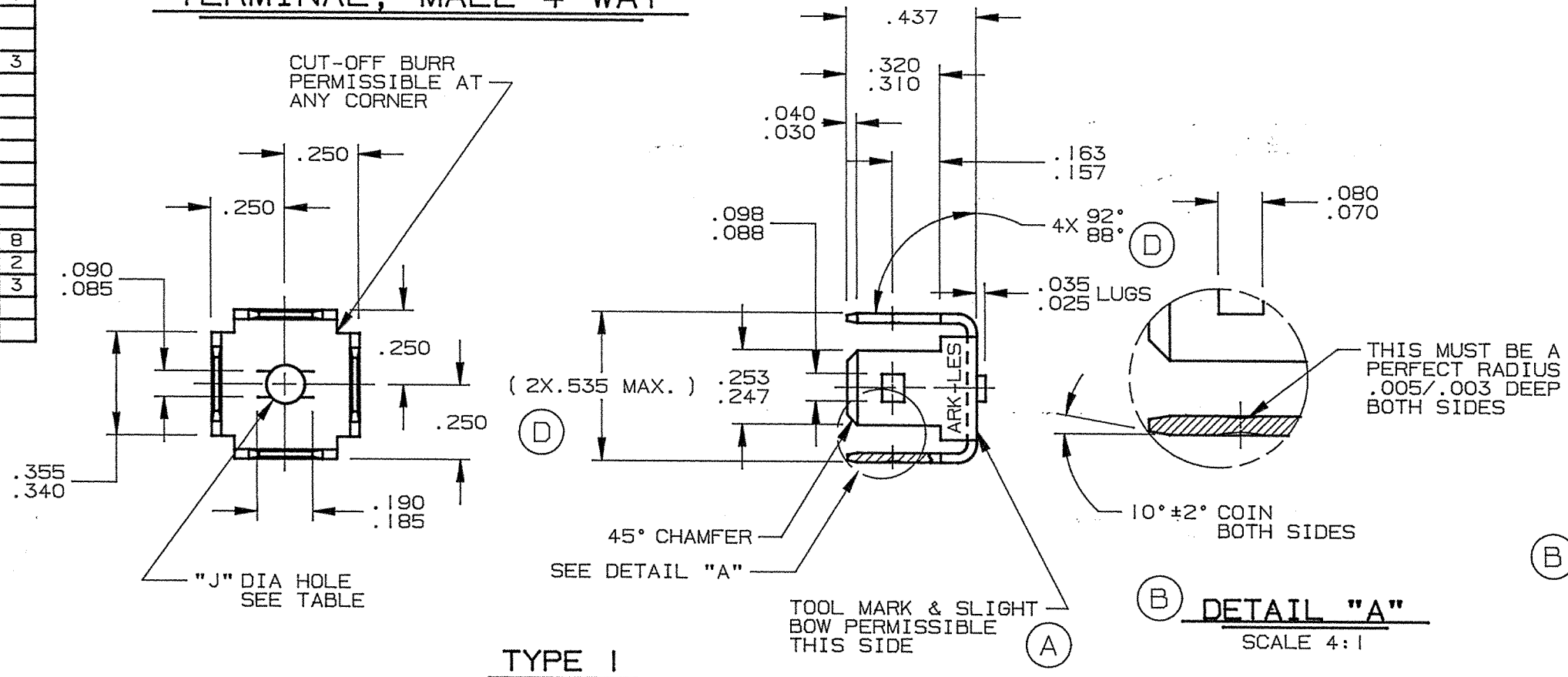


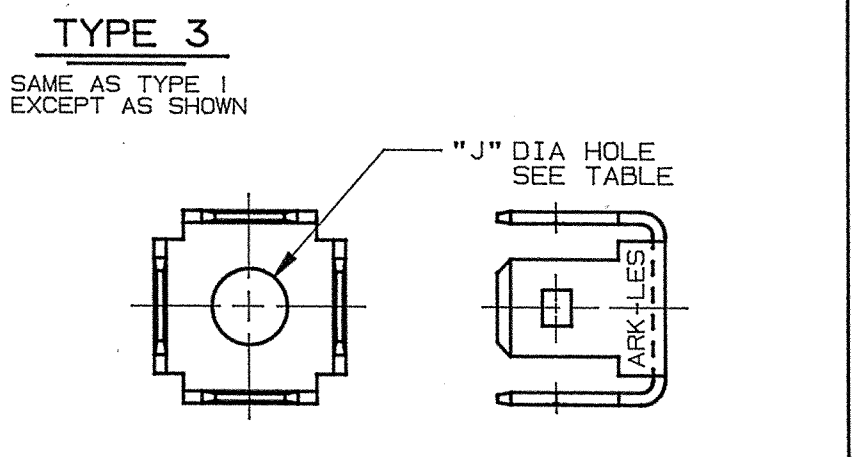
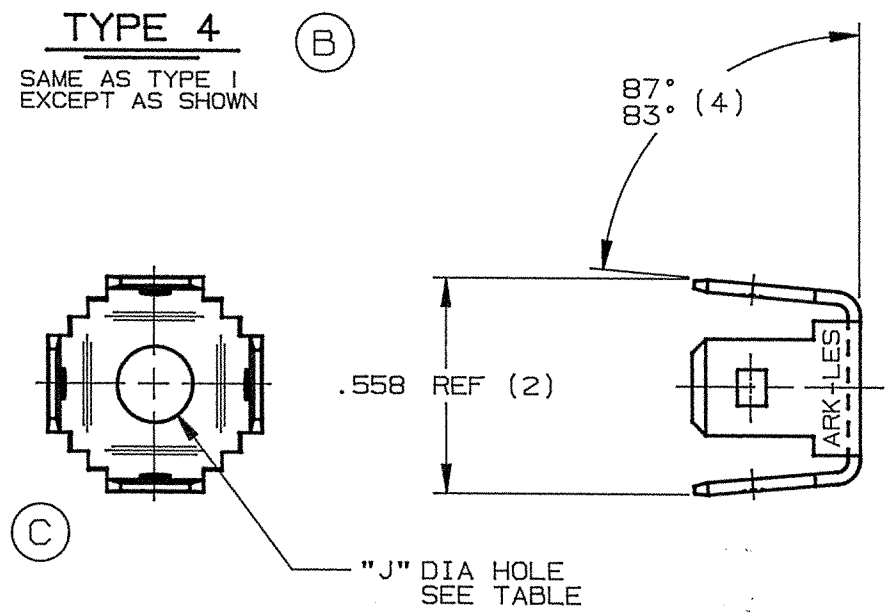
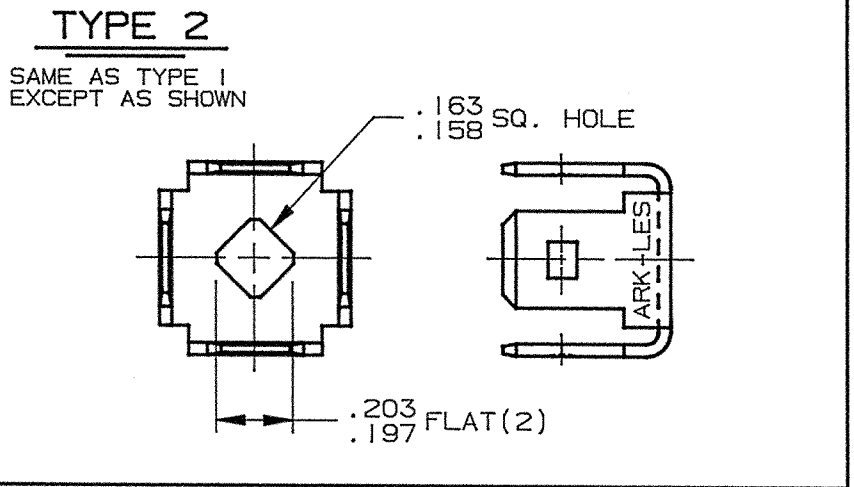
DEPT	
1	1
2	
3	
4	3
5	
6	
7	
8	
9	
10	
11	
12	8
NC	2
JZ	3

PART NAME: TERMINAL, MALE 4-WAY

PART NO: 3000C805-4/



PART NUMBER	TYPE	"J" HOLE DIAMETER	MATERIAL	FINISH
3000C805-4	1	.128/.132	.032 ±.001 TH'K BRASS C26000, 1/2 HARD R30T 56.5-68.0	NONE
3000C805-4A	1	.128/.132		ELECTRO-TIN PCS 1002
3000C805-4B	1	.128/.132		SILVER PLATE PCS 1006
3000C805-4C	2	----		NONE
3000C805-4C1	2	----	.032 ±.001 TH'K BRASS C26000, 1/2 HARD R30T 56.5-68.0 PRETINNED PCS 1007	ELECTRO-TIN PCS 1002
3000C805-4C2	2	----		SEE MAT'L
3000C805-4D	1	.128/.132	.032 ±.001 TH'K BRASS C26000, 1/2 HARD R30T 56.5-68.0	SEE MAT'L
3000C805-4E	3	.194/.200		NONE
3000C805-4E1	3	.194/.200		ELECTRO-TIN PCS 1002
3000C805-4-1	3	.128/.132		NONE
3000C805-4F	4	.194/.200	.032 ±.001 TH'K BRASS C26000, 1/2 HARD R30T 56.5-68.0	NONE
3000C805-4F1	4	.194/.200		ELECTRO-TIN PCS 1002



- NOTES
1. TO ACCEPT .250 X .032 FEMALE RECEPTACLE
 2. REFERENCE 3000M208 FOR IDENTICAL PARTS.
 3. ALL PORTIONS OF TAB SHOWN SHALL BE FLAT AND FREE OF BURRS OR RAISED PLATEAUS, EXCEPT THAT THERE MAY BE, IN AN AREA .050 SURROUNDING THE DETENT, A RAISED PLATEAU OVER THE STOCK THICKNESS OF .001 PER SIDE.
 4. DETENT SHALL BE LOCATED WITHIN .005 OF THE TAB CENTERLINE

ARK-LES UNCONTROLLED

REV.	DESCRIPTION	DATE	DR.	SCALE: 2:1	CAD NO: BTM0008	PROD. REL. ECR 9388 12/4/92 RT	TOLERANCES UNLESS OTHERWISE SPECIFIED: DECIMALS ±.010 METRIC ±0.25mm ANGLES ±1°
D	REVISED PER ECR #11437	1/6/98	RT			DR: M. BUMILA 12/3/92	MATERIAL: SEE TABLE
C	REVISED PER ECR #10375	11/22/94	RT			CHK'D: R.W.T. 1-9-98	FINISH: SEE TABLE
B	ADDED 3000C805-4F/ PER ECR #10361	1/14/94	BJC			APP: COR 1-12-98	PART NO: 3000C805-4/
A	REDRAWN & REVISED PER ECR #9388	12/3/92	MB			SUPERCEDES DWG. DATED: 1/3/84	

ORIGINAL