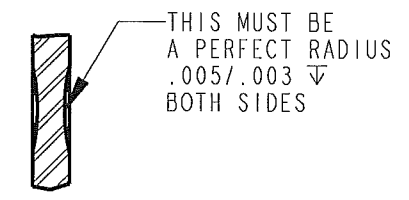
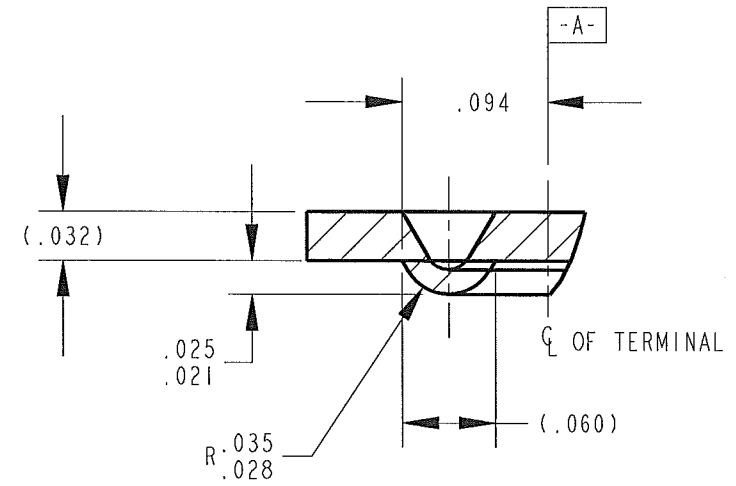
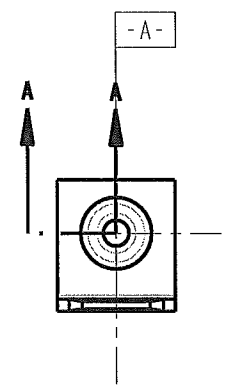
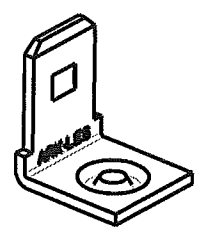


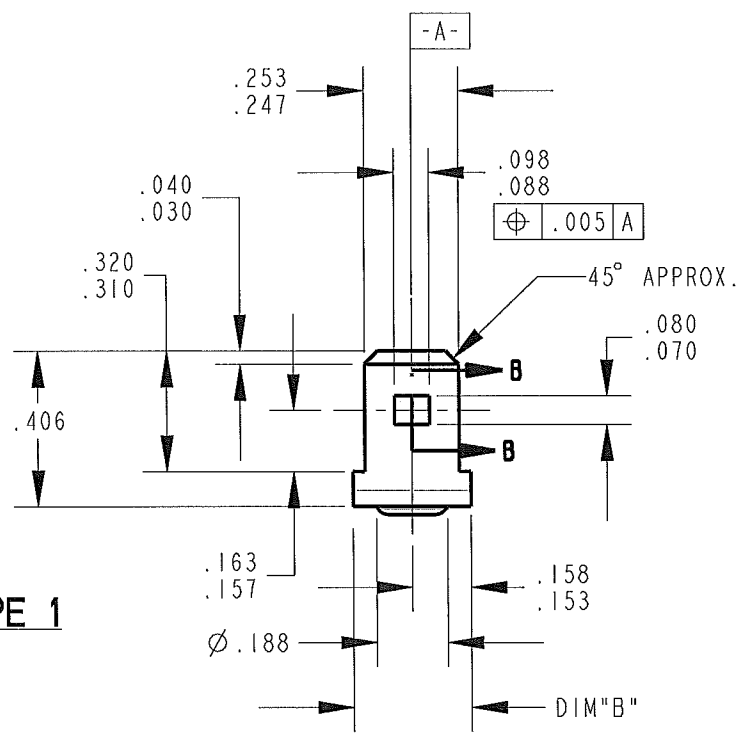
P/N: 3000M 292/

REV
AB

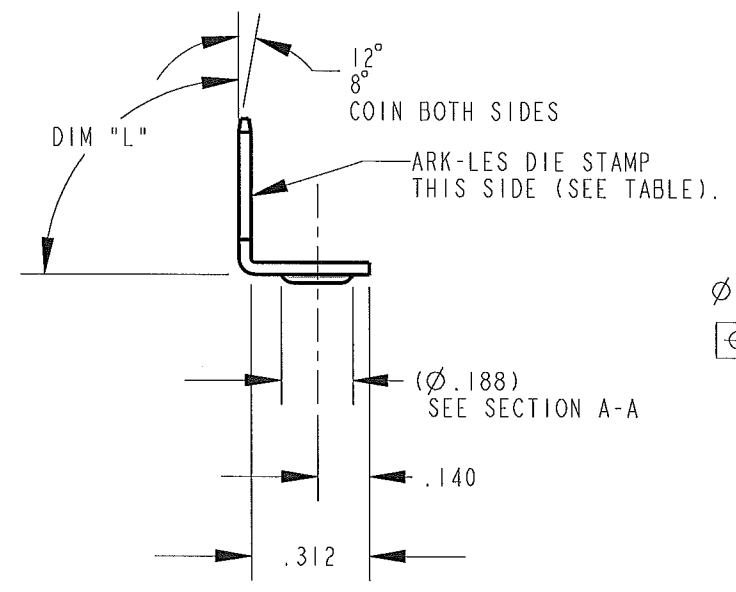


SECTION A-A
SCALE 8:1

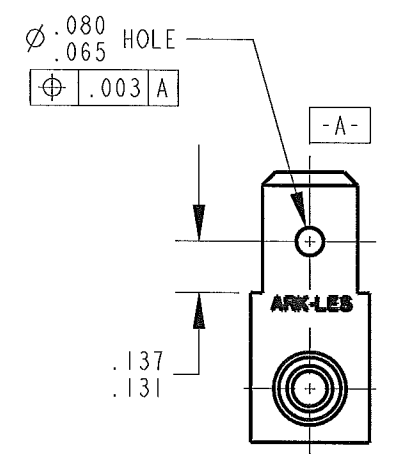
SECTION B-B
SCALE 6:1



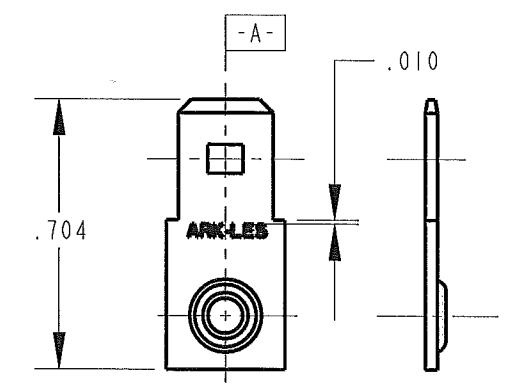
TYPE 1



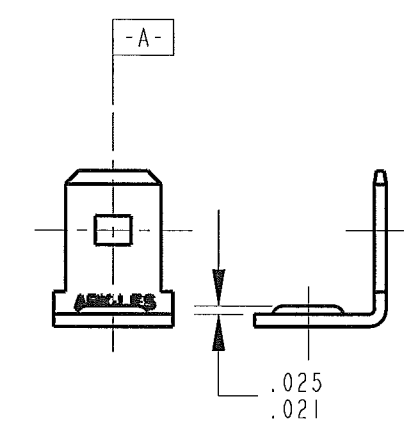
**ARK-LES
UNCONTROLLED**



TYPE 2



TYPE 3



TYPE 4

TYPE 2, 3, & 4 SAME AS TYPE #1 EXCEPT AS SHOWN

PART NUMBER	TYPE	DIM "L" ANGLE	FINISH	DIM "B"	DIE STAMP
3000M 292	1	90° ±3	NICKEL PLATE PCS 1000	.317 .307	YES
3000M 292A	1	45° ±3	NONE	.317 .307	NO
3000M 292A1	1	45° ±3	NICKEL PLATE PCS 1000	.317 .307	YES
3000M 292A2	1	90° ±3	NONE	.317 .307	NO
3000M 292A3	1	90° ±3	NONE	.317 .307	YES
3000M 292AG	1	45° ±3	SILVER OVER COPPER PCS 1005	.317 .307	NO
3000M 292C	3	FLAT	NICKEL PLATE PCS 1000	.317 .307	YES
3000M 292C1	2	FLAT	NICKEL PLATE PCS 1000	.317 .307	YES
3000M 292C2	1	25° ±3	NICKEL PLATE PCS 1000	.317 .307	YES
3000M 292C3	2	25° ±3	NICKEL PLATE PCS 1000	.317 .307	YES
3000M 292C4	2	45° ±3	NICKEL PLATE PCS 1000	.317 .307	YES
3000M 292C5	2	90° ±3	NICKEL PLATE PCS 1000	.317 .307	YES
3000M 292C6	2	60° ±3	NICKEL PLATE PCS 1000	.317 .307	YES
3000M 292D	1	45° ±3	NICKEL PLATE PCS 1000	.295 .278	YES
3000M 292D1	1	25° ±3	NICKEL PLATE PCS 1000	.295 .278	YES
3000M 292E	4	90° ±3	NICKEL PLATE PCS 1000	.317 .307	YES

- NOTES:
- TO ACCEPT A .250 X .032 FEMALE RECEPTACLE.
 - ALL PORTIONS OF TABS SHOWN SHALL BE FLAT AND FREE OF BURRS OR RAISED PLATEAUS, EXCEPT THAT THERE MAY BE, IN AN AREA .050 INCH SURROUNDING THE DETENT, A RAISED PLATEAU OVER THE STOCK THICKNESS OF .001 INCH PER SIDE.
 - CONFORMS TO UL 310

PRINT DIST.	PROD. REL. 18248	11/24/54	CHK'D	TOLERANCES UNLESS OTHERWISE SPECIFIED	 STOUGHTON, MA
DEPT #	QUOTE REL. 18248	11/24/54	Do 10/17/08	DECIMALS ± .010	
ENG 1	DRAWN BY BJC	7/1/04	APP.	METRIC ± 0.25mm	ORIGINAL IF RED PART NAME TERMINAL, MALE-WELD CAD#: 3000M292-REVAB.DRW
SALES	SUPERSEDES DWG. DATED: 4/3/02	BY 12/17/08		ANGLES ± 1°	
AB REV. PER ECR S000291	10/01/08	DON		3RD ANGLE PROJECTION	P/N: 3000M 292/
AA REDRAWN PER ECR #S000073	7/1/04	BJC		DWG SIZE B	
REV.	DESCRIPTION	DATE	DR.	FINISH: SEE TABLE	REV AB