

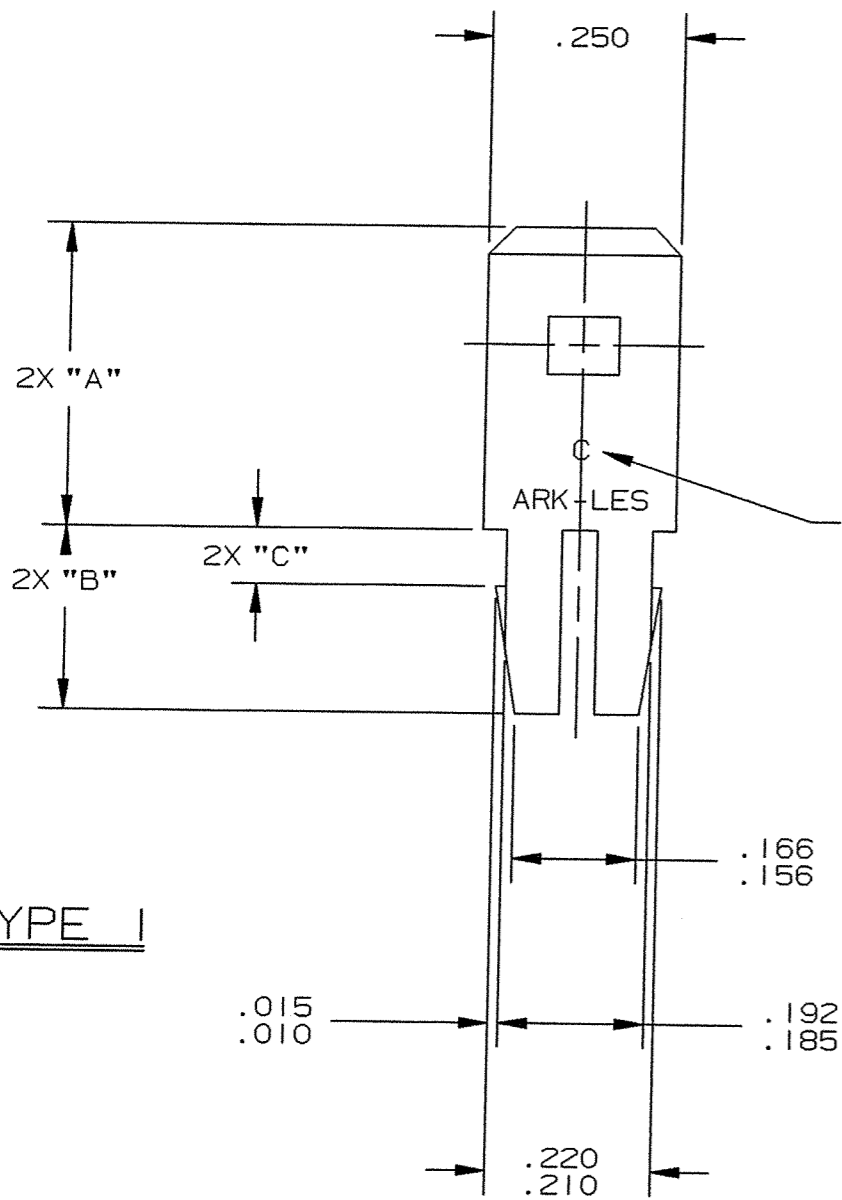
DEPT	
1	1
2	
3	
4	2
5	
6	
7	
8	
9	
10	
11	
12	
NC	
JZ	

PART NAME: TERMINAL MALE

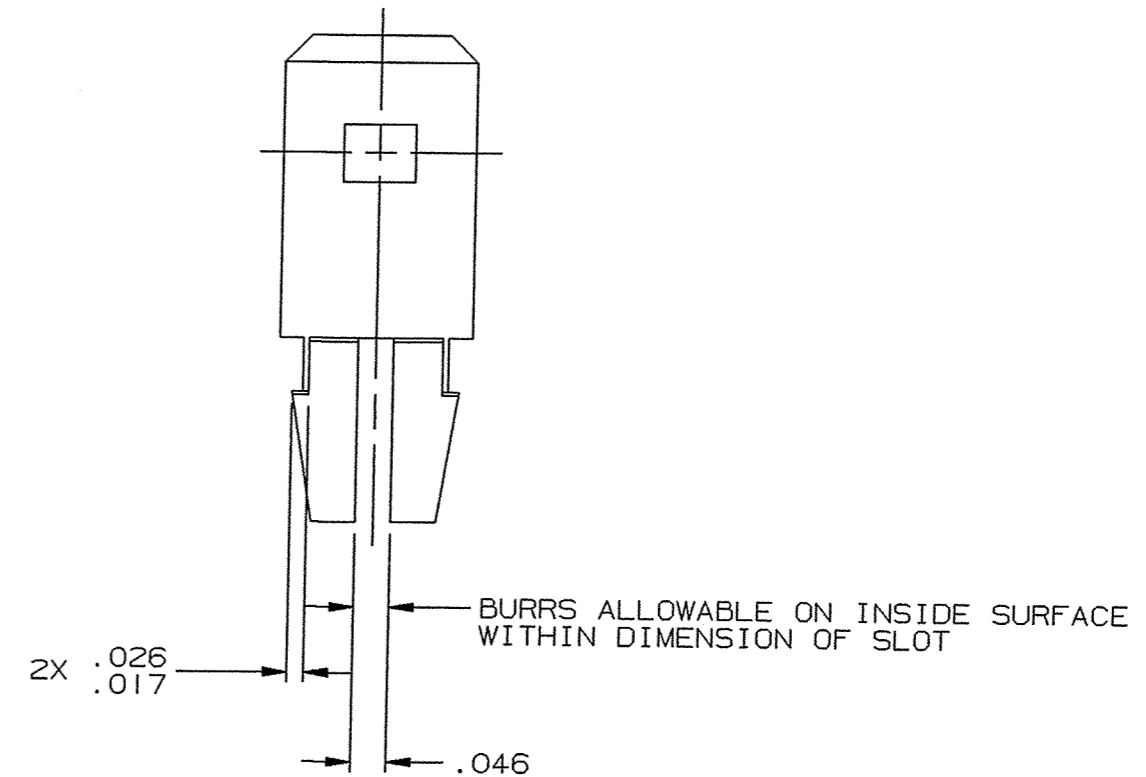
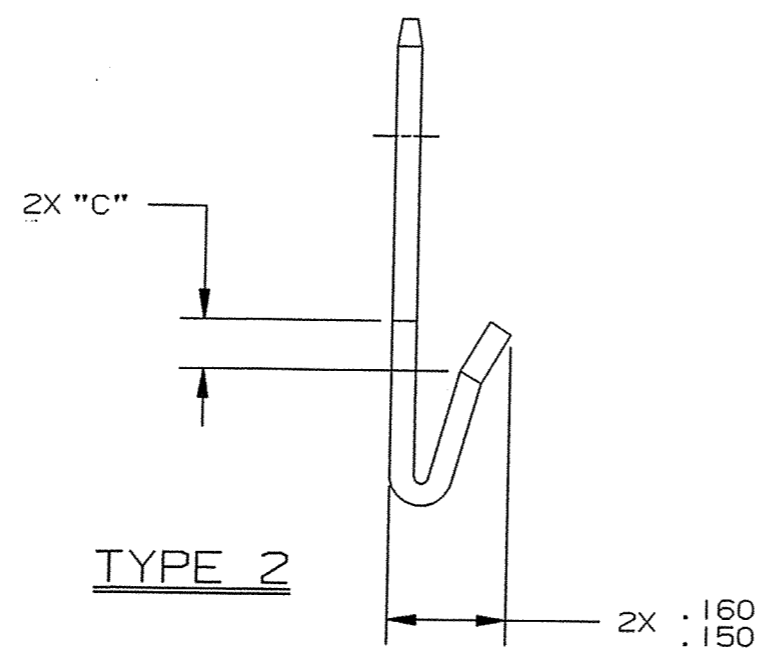
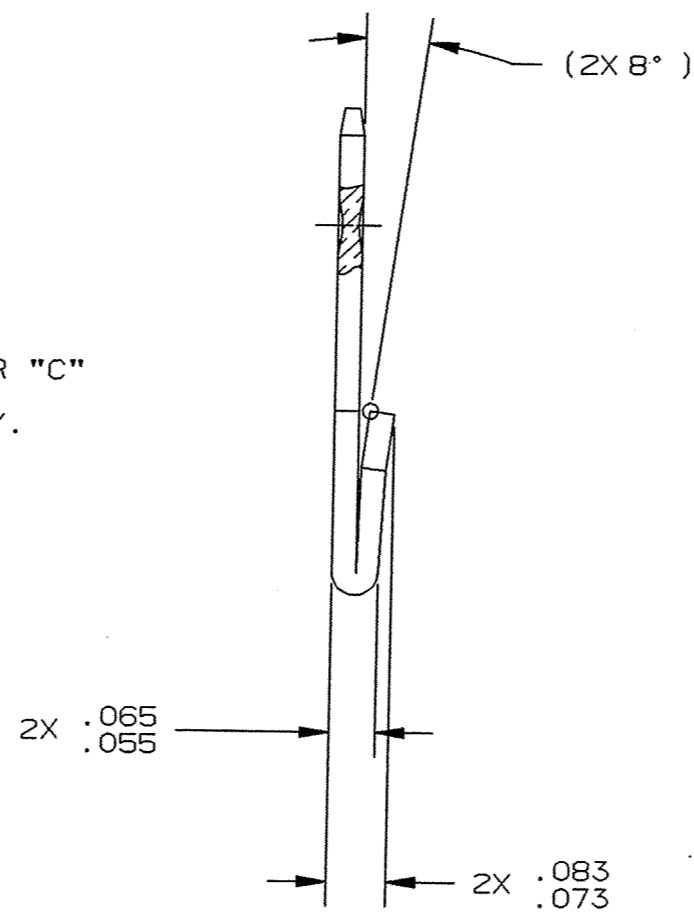
PART NO: 3000M 525/

PART NUMBER	TYPE	MATERIAL	FINISH	A	B	C	TERMINAL BOARD THICKNESS
3000M 525	1	.032 ±.001 THICK BRASS	TIN PLATE	.357	.290	.112	.093
3000M 525B	1		NONE				
3000M 525C	1		TIN PLATE	.392	.245	.078	.063
3000M 525D	1		NONE				
3000M 525E	1		PRETINNED				
3000M 525F	2		TIN PLATE				
(M) 3000M 525F-1	2		NONE	.357	.290	.112	.093
3000M 525H	1		TIN PLATE				
(L) 3000M 525J	1		TIN PLATE				

NOTES:
 1. TO ACCEPT A .250 X .032 FEMALE RECEPTACLE.
 2. MALE TAB CONFORMS TO UL 310.



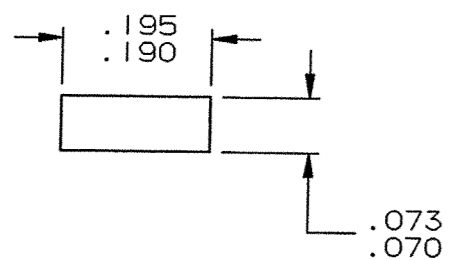
DIE STAMP CHARACTER "C" FOR IDENTIFICATION. FOR 3000M 525C ONLY.



TYPE 1

TYPE 2

RECOMMENDED SLOT OPENING



ARK-LES UNCONTROLLED

PROD. REL.	ECR 7047	10/7/88	RT	TOLERANCES UNLESS OTHERWISE SPECIFIED:		
QUOTE REL.				DECIMALS ±.010	METRIC ±0.25mm	ANGLES ±1°
DR:	R. TASTULA	12/3/99		MATERIAL: SEE TABLE		
CHK'D:	R.W.T.	2-18-02		FINISH: SEE TABLE		
M	3000M 525F-1 ADDED PER ECR #12259	2/18/02	RT	PART NO: 3000M 525/		
L	REVISED & REDRAWN PER ECR #11932	12/3/99	RT			
REV.	DESCRIPTION	DATE	DR.	SCALE: 4:1	CAD NO: CTP0022	

ORIGINAL IF RED