

DEPT	
1	1
2	
3	
4	3
5	
6	
7	
8	
9	
10	
11	
12	7
NC	4
JZ	3

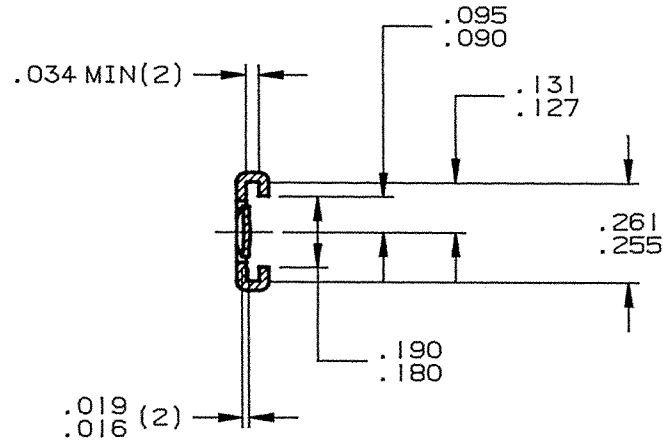
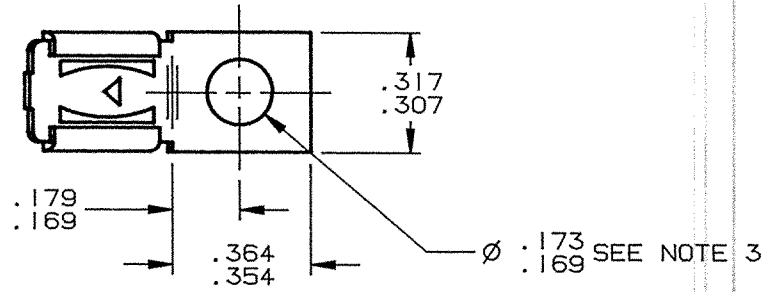
PART NAME:

TERMINAL, FEMALE

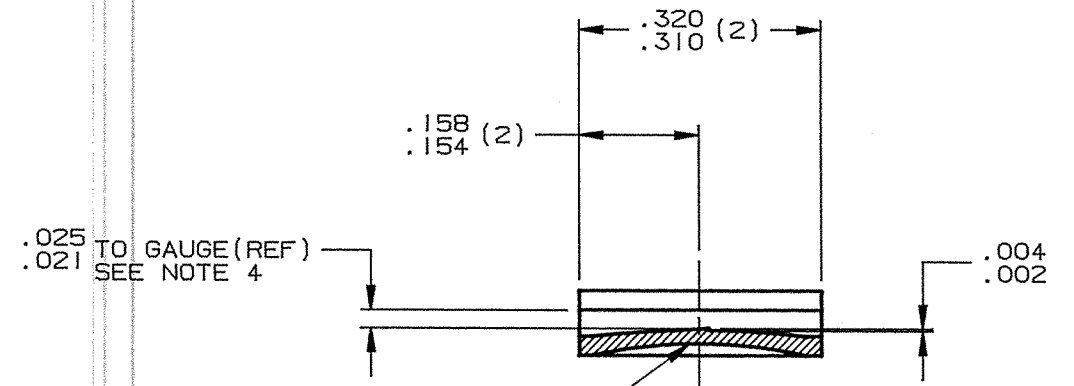
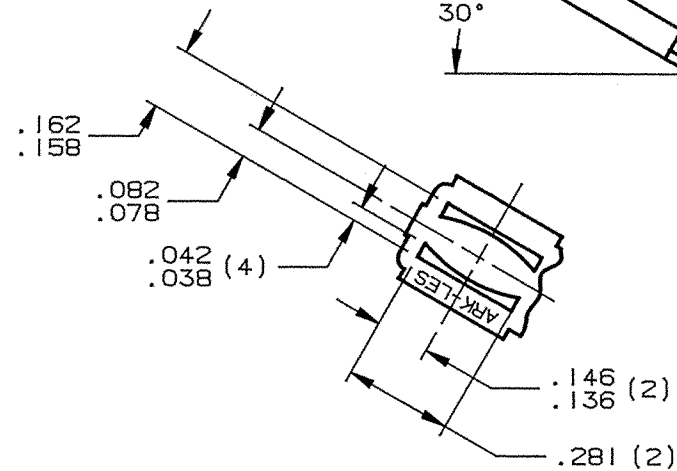
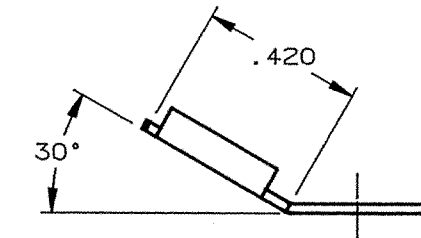
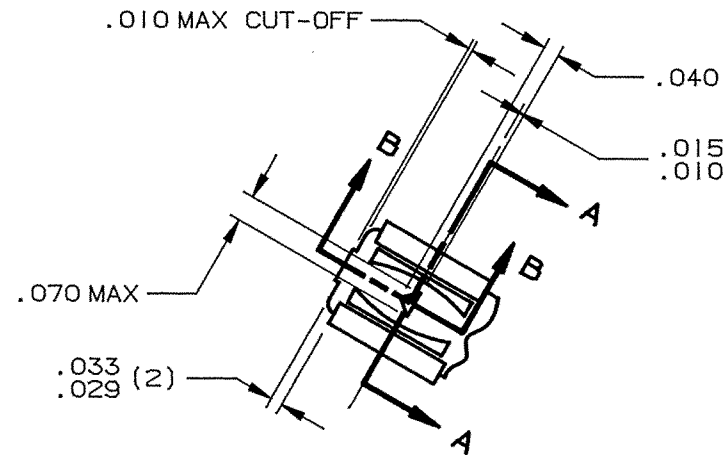
PART NO:

3000H6A-4B/

PART NO.	FINISH
3000H6A-4B	NONE
3000H6A-4B-1	ELECTRO-TIN PCS 1002



SECTION A-A  
ROTATED 30°



SECTION B-B  
ROTATED 30°  
SCALE 4=1

ARK-LES  
UNCONTROLLED

NOTES:

1. TO ACCEPT A .250 X .032 MALE TAB.
2. "ARK-LES" TO BE DIE STAMPED APPROXIMATELY AS SHOWN.
3. MOUNTING HOLE CENTERLINE LOCATION MUST BE HELD TO WITHIN .010 T.I.R. OF .317/.307 DIMENSION.
4. GAUGE DIMENSIONS ARE FOR REFERENCE ONLY. 6TH WITHDRAWAL TO BE 5.0 LBS. MINIMUM WHEN USING MALE TAB 3000M68H-1. ALL OTHER INSERTION/WITHDRAWAL FORCES TO COMPLY WITH UL 310.
5. ALL CORNERS SHOWN SHARP MAY HAVE A .010 MAX. RADIUS.

			PROD. REL.	10/17/72	RT	TOLERANCES UNLESS OTHERWISE SPECIFIED:
			QUOTE REL.			DECIMALS ±.010   METRIC ±0.25mm   ANGLES ±1°
			DR: B J CARUTHERS	7/27/95		MATERIAL: .025±.001 THICK BRASS C26000, 1/2 HARD TENSILE: 57,000-67,000 PSI
			CHK'D: R.W.T.	8-3-95		FINISH: SEE TABLE
			APP: COR	8-3-95		PART NO: 3000H6A-4B/
AD	REVISED & REDRAWN PER ECR #10608	7/27/95	BJC	SUPERCEDES DWG. DATED: 11/12/91		
REV.	DESCRIPTION	DATE	DR.	SCALE: 2=1	CAD NO: BT00104	

ORIGINAL