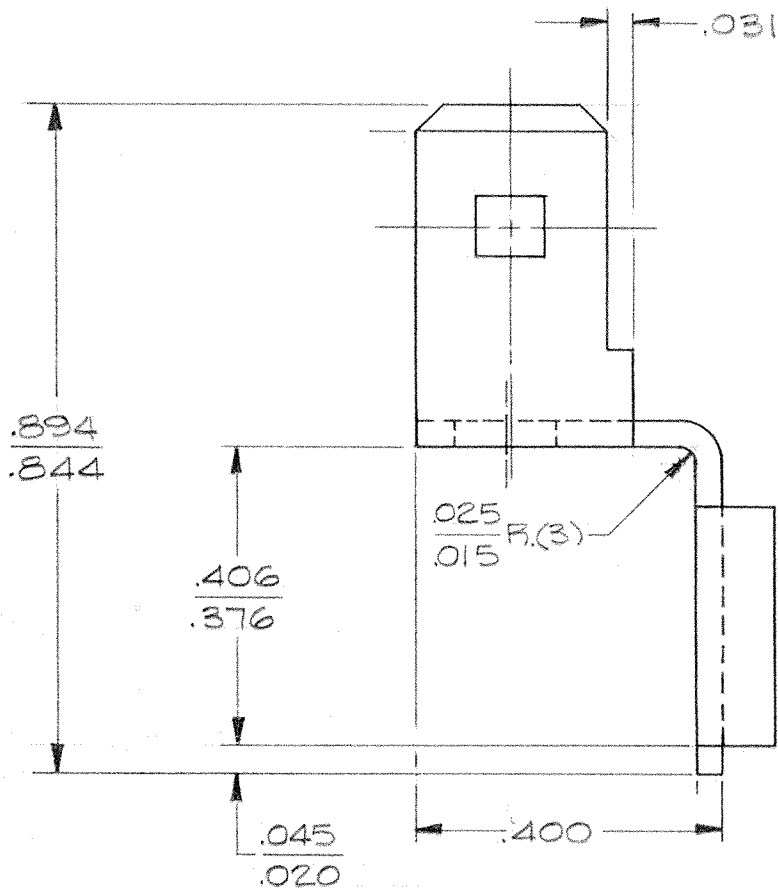
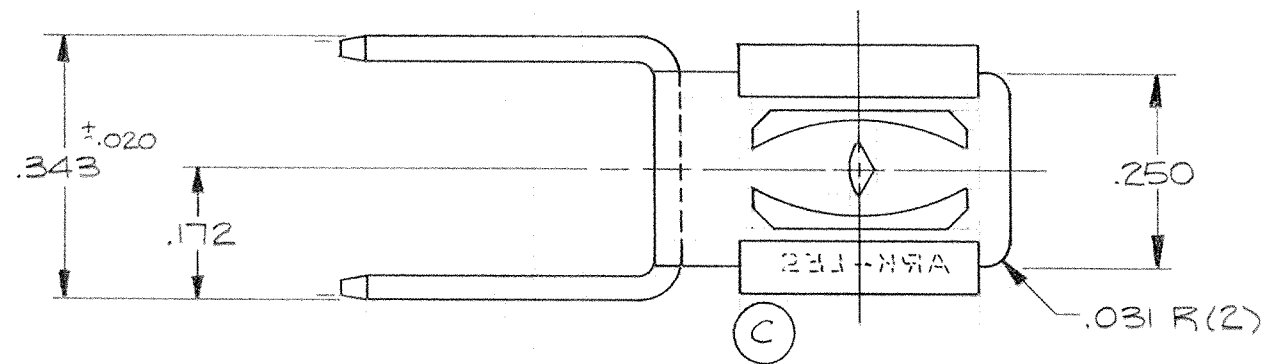
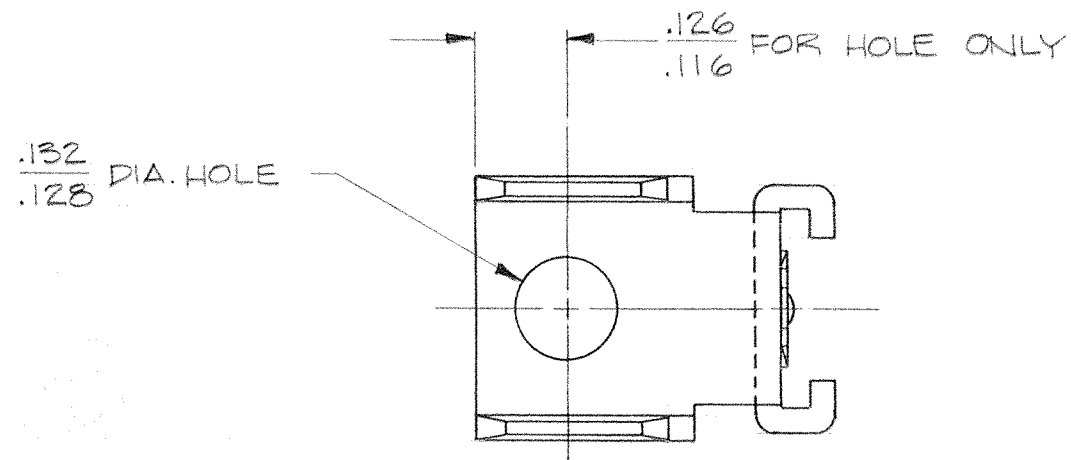


DEPT	
1	1
2	1
3	
4	1
5	
6	
7	
8	
9	
10	
11	
12	6
ME.	

PART NAME: TERMINAL, MALE AND FEMALE

PART NO. 300055-1

PART NO.	MATERIAL	FINISH
300055-1	.032 ± .001 H.H. BRASS CA260 R _{30T} 56.5-68	NONE
300055-2	SAME AS 300055-1	ELECTRO-TIN PCS1002
300055-3	SAME AS 300055-1	SILVER PLATE PCS1006
300055-4	SAME AS 300055-1	NICKEL PLATE PCS1000



NOTES:

- ALL PARTS FABRICATED FROM 70/30 BRASS MUST HAVE .025 mm NOMINAL GRAIN SIZE.
- FOR BRIDGE DETAIL SEE CS3000H-1.
- FOR MALE TAB DETAIL SEE CS3000M-2.
- ARK-LES TO BE DIE STAMPED.

ARK-LES
UNCONTROLLED

REV.	DESCRIPTION	DATE	DR.	SCALE	F.M.F.	TOLERANCES UNLESS OTHERWISE SPECIFIED :
						DECIMALS ± .010 METRIC ± 0.25mm ANGLES ± 1°
C	ARK-LES ADDED - ECR 5760	11-8-86	PJP	DR.: DON RICCI 10-3-83		MATERIAL: SEE ABOVE CHART
B	PCS1000, 1002 & 1006 ADDED ECR 4923	9-10-84	R.T.	CHK'D.: R.T.		FINISH: SEE ABOVE CHART
A	TABULATED DWG'S 300055-2, 3, 4; REVISED & REDRAWN; ECR #4587	10-4-83	SR	APP.: Bishop 10-12-83		PART NO.: 300055-1
				SUPERSEDES DWG DATED:		

ORIGINAL