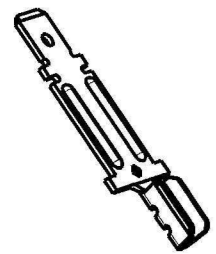


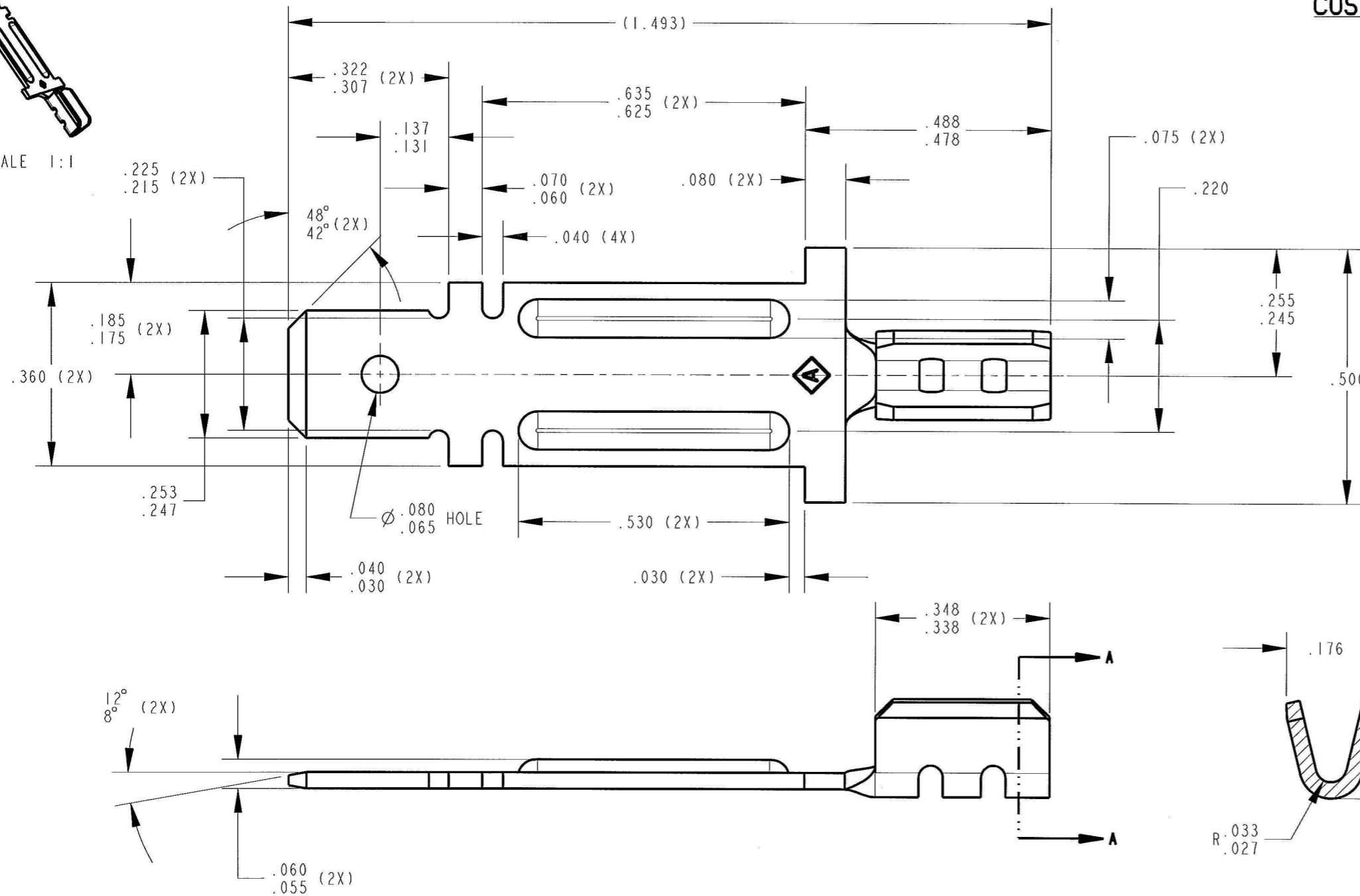
CUSTOMER DRAWING

P/N: 3800M 104J

REV
E

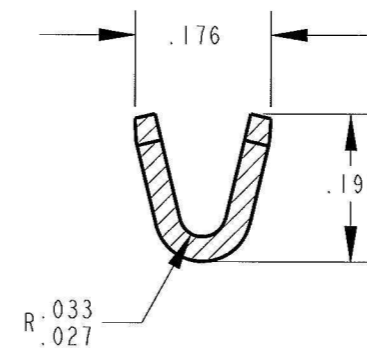
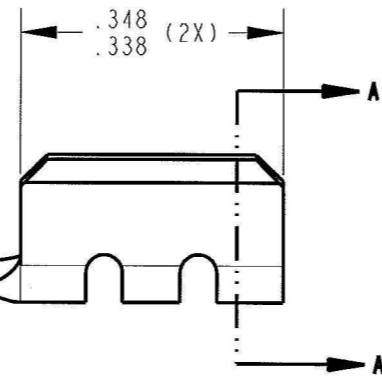


SCALE 1:1

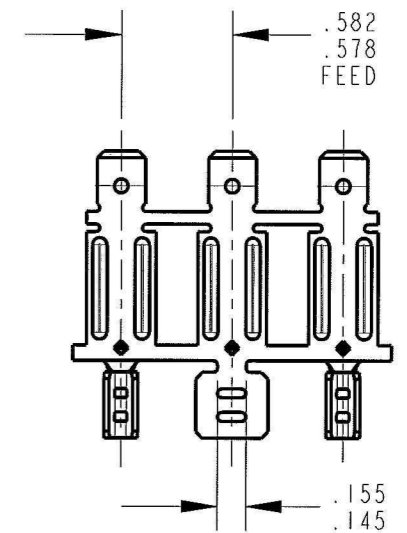


NOTES:

- TAB MUST BE FLAT AND FREE OF BURRS OR RAISED PLATEAUS, EXCEPT THAT THERE MAY BE IN AN AREA .050 SURROUNDING THE DETENT HOLE, A RAISED PLATEAU OVER THE STOCK THICKNESS OF .001 PER SIDE.
- TERMINAL TO MATE WITH .250 FEMALE TERMINAL.
- WIRE RANGE: .0253-.064 DIA. (640-4,096 CMA).



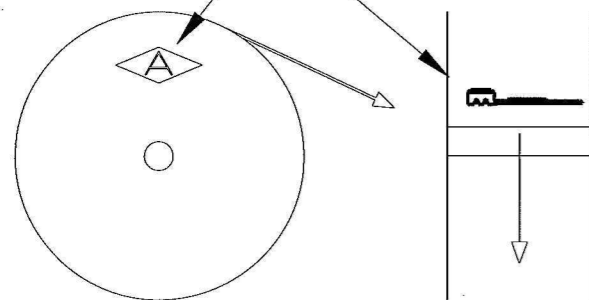
SECTION A-A



FABRICATED TERMINAL STRIP
SCALE FULL

**ARK-LES
UNCONTROLLED**

ARK-LES LETTERING
THIS SIDE



REELING DIAGRAM

PRINT DIST.	PROD. REL.	JM 7720	2/13/95	CHK'D	TOLERANCES UNLESS OTHERWISE SPECIFIED	 CORPORATION STOUGHTON, MA
DEPT #	QUOTE REL.			DO NOT SCALE PRINT	DECIMALS ±.010	
ENG I	DRAWN BY	D.O'NEILL	9/28/05	APP.	METRIC ±0.25mm	ORIGINAL IF RED
SALES	SUPERSEDES DWG. DATED:				ANGLES ±1°	PART CUSTOMER DRAWING
STO X	SCALE 4:1				3RD ANGLE PROJECTION	NAME TERMINAL, MALE HEATER
RAL	MATERIAL:	.032 ±.001 THICK C.R. STEEL			DWG SIZE: B	CAD#: 3800M_104J-REVE_CUST
JZ	FINISH:	PRE-NICKEL PLATE				P/N: 3800M 104J
CHINA	REV.	DESCRIPTION	DATE	DR.		REV E