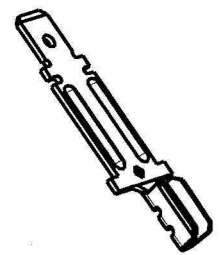


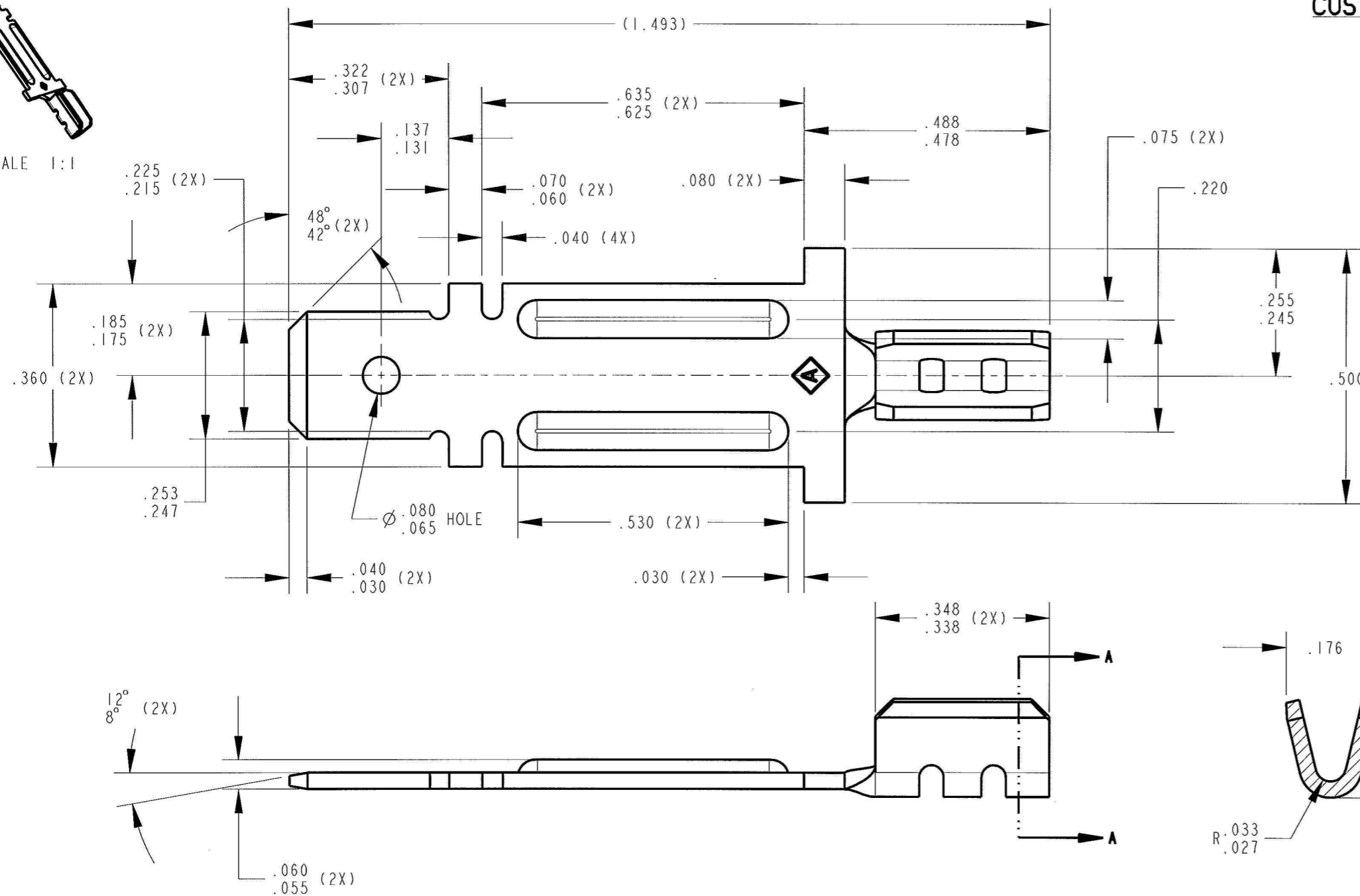
CUSTOMER DRAWING

P/N: 3800M 117J

REV
A

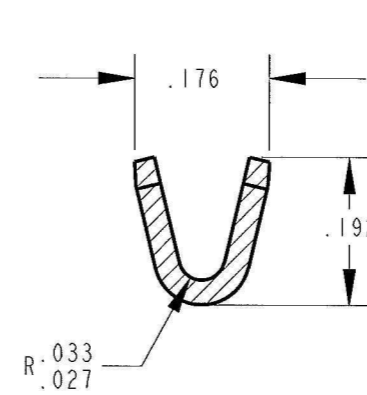


SCALE 1:1

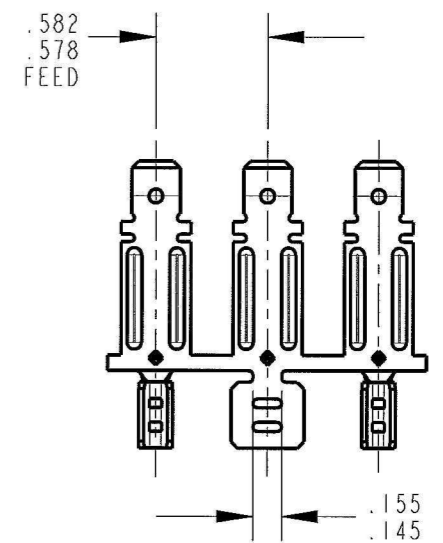


NOTES:

- TAB MUST BE FLAT AND FREE OF BURRS OR RAISED PLATEAUS, EXCEPT THAT THERE MAY BE IN AN AREA .050 SURROUNDING THE DETENT HOLE, A RAISED PLATEAU OVER THE STOCK THICKNESS OF .001 PER SIDE.
- TERMINAL TO MATE WITH .250 FEMALE TERMINAL.
- WIRE RANGE: .0253-.064 DIA. (640 - 4,096 CMA).



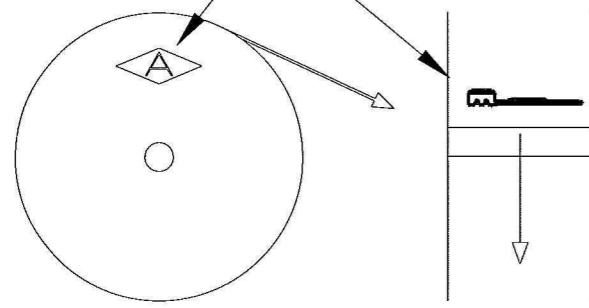
SECTION A-A



FABRICATED TERMINAL STRIP
SCALE FULL

**ARK-LES
UNCONTROLLED**

ARK-LES LETTERING
THIS SIDE



REELING DIAGRAM

PRINT DIST.	PROD. REL.	S000183	3-28-06	CHK'D	TOLERANCES UNLESS OTHERWISE SPECIFIED
DEPT #	QUOTE REL.			APP.	DECIMALS ±.010
ENG I	DRAWN BY	D. O'NEILL	3/20/2006		METRIC ±0.25mm
SALES	SUPERSEDES DWG. DATED:				ANGLES ±1°
STO X	SCALE 4:1	DO NOT SCALE PRINT			
RAL	MATERIAL:	.032 ±.001 THICK C.R. STEEL			
JZ	FINISH:	PRE-NICKEL PLATE			
CHINA					
REV. A	DESCRIPTION	DATE	DR.		

ArkLes CORPORATION STOUGHTON, MA

ORIGINAL IF RED

PART NAME CUSTOMER DRAWING
TERMINAL, MALE HEATER

CAD#: 3800M_117J-REVA_CUST

P/N: 3800M 117J

REV A