



PRELIMINARY DATA

**IGBT BASED
DC SOLID-STATE RELAY**

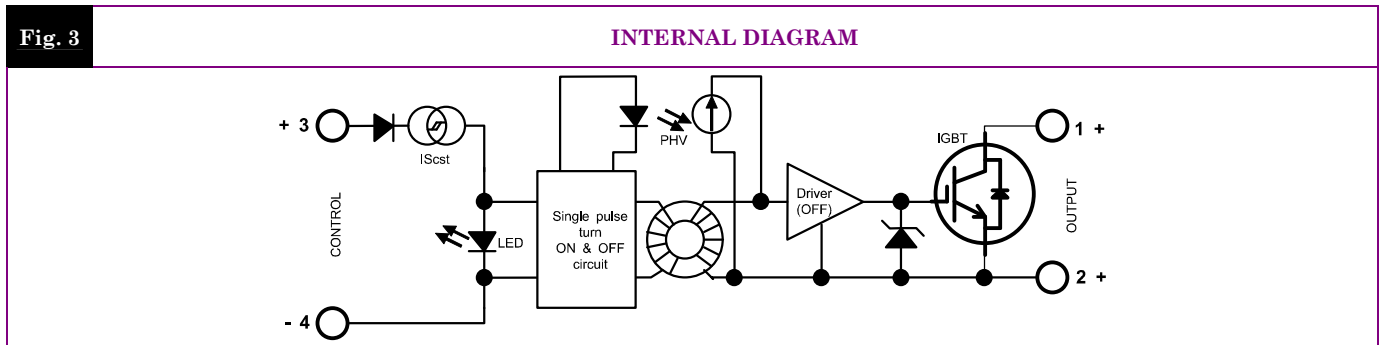
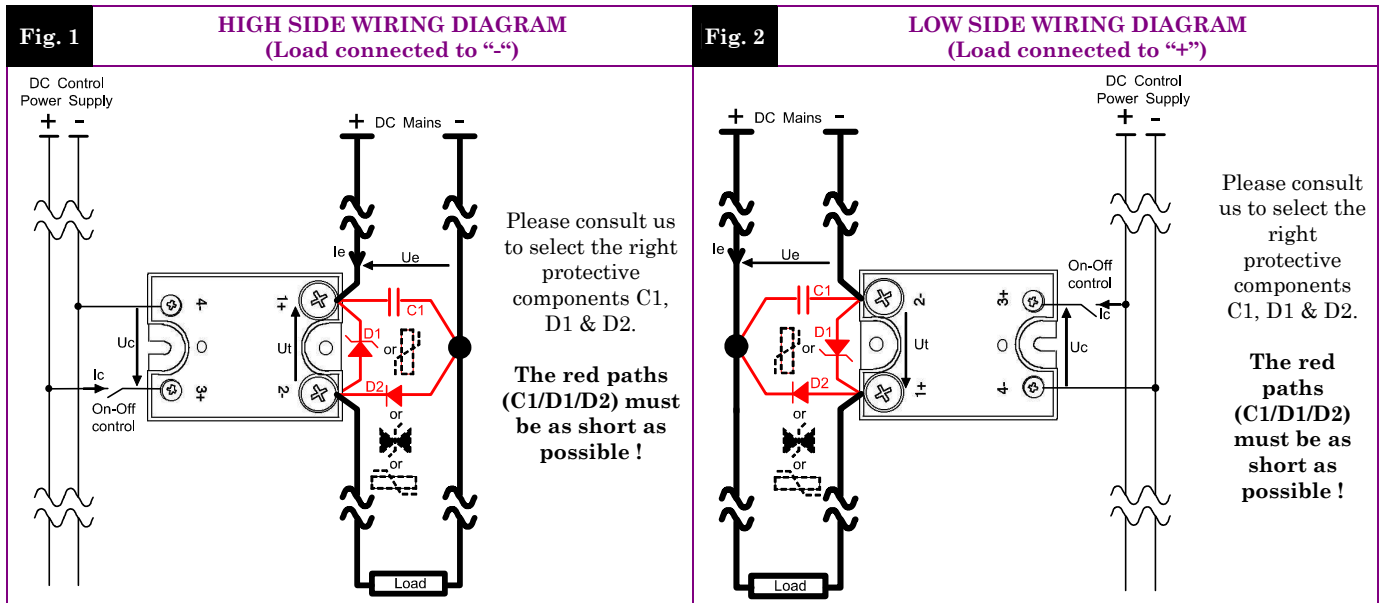
- ▶ Latest high voltage IGBT technology generation.
- ▶ New innovative isolated driver ensuring fast power transistor turn on and off therefore low power transient.
- ▶ Ultra low output leakage current
- ▶ Low control current consumption
- ▶ Triggered control input to avoid linear control risks
- ▶ Low conducted and radiated disturbances

SCI0251700



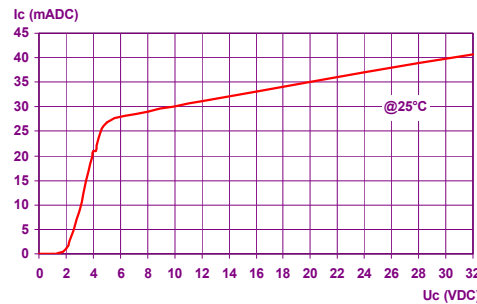
Control voltage range	4.5-32VDC
Max transient peak voltage	1700v
Advised max. DC Mains peak voltage	820VDC
Max. Load Current (with heatsink)	25ADC

DC Mains voltage range	Load current range	Control input voltage range	In & case / Out Insulation	Connections	Dimensions (WxHxD)	Weight
820VDC Max Advised (Depends on protection clamping voltage)	0 to 25A (with heatsink)	4.5-32VDC	4kV	M3 round tabs M5 round tabs	44.5 x 58.2 x 27 (mm)	100g

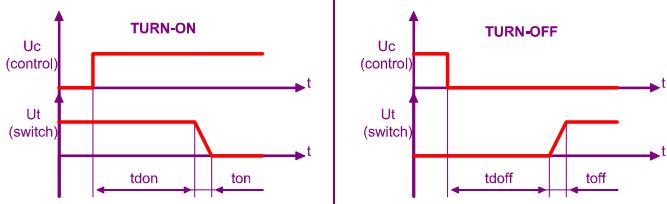


Proud to serve you

CONTROL INPUT CHARACTERISTICS

INPUT CIRCUIT	CHARACTERISTIC	LABEL	VALUE	INFO.	Fig. 4 CONTROL CURRENT vs. CONTROL VOLTAGE 
	Nom. Control voltage	U_{cnom}	12-24VDC		
	Nom. Control current	I_{cnom}	35mADC		
	Control voltage range	U_c	4.5 – 32VDC	typical=4.3V	
	Control current consumption	I_c	25 – 42mADC	See curve	
	Releasing control voltage	U_{coffmax}	1VDC	Typical= 3.5V	
	Max. reverse control voltage	-U_{cmax}	32VDC	-I _{cmax} <100µA	
	Input impedance	R_{in}	Current limitation	See curve	

TIME CHARACTERISTICS

TIME CHARACT.	CHARACTERISTIC	LABEL	VALUE		
	Turn on time	ton	10µs		
	Turn on delay	tdon	600µs		
	Turn off time	toff	50µs		
	Turn off delay	tdoff	100µs		
Max. On-Off frequency	F_(on-off)	200Hz			

POWER OUTPUT CHARACTERISTICS

POWER CIRCUIT	CHARACTERISTIC		LABEL	VALUE	INFO.				
	Mains voltage range		U_t U_e	Min = VCEsat Max (Advised) = 820VDC	Depends on protection clamping voltage (D1)				
	Non-repetitive peak voltage		U_{tp}	1700V					
	Overvoltage protection		D1	Not integrated A voltage clamping mean must be connected across the terminals 1 & 2 (see fig 1 & 2)	Please consult us to select the right protective components				
	Off-state max reverse voltage drop (internal diode)		-U_t	3.3V	@I _e =16A				
	Maximum nominal currents		I_{e max}	<table border="1" style="display: inline-table; vertical-align: middle;"> <tr> <th>Resistive</th> <th>Motor</th> </tr> <tr> <td>50A</td> <td>Please contact us</td> </tr> </table>	Resistive	Motor	50A	Please contact us	See fig. 9
	Resistive	Motor							
	50A	Please contact us							
	Max. non-repetitive peak current		I_{epeak}	40A / 1ms	@T _c =25°C				
	Min. load current		I_{emin}	5mA					
	Max. leakage current		I_{elk max}	1.5mA	@U _{tp} @T _{jmax}				
	Max. on-state voltage		VCEsat	3.3V	@I _e =16A				
	Typ. output capacitance		C_{out}	90pF	@U _{tp}				
	Junction/case thermal resistance		R_{thjc}	1.25K/W					
	Built-in heatsink thermal resistance vertically mounted		R_{thra}	10K/W	@ΔT _{ra} =75°C				
	Heatsink thermal time constant		T_{thra}	10 minutes	@ΔT _{ra} =60°C				
	Control inputs/power outputs insulation voltage		U_{imp}	4kV					
	Inputs/case insulation voltage		U_{imp}	4kV					
	Outputs/case insulation voltage		U_{imp}	4kV					
	Isolation resistance		R_{io}	1GΩ					
	Isolation capacitance		C_{io}	<8pF					
	Maximum junction temperature		T_{jmax}	175°C					
	Storage ambient temperature		T_{stg}	-40->+100°C					
	Operating ambient temperature		T_{amb}	-40->+90°C	See fig. 9				
Max. case temperature		T_c	100°C						



OUTPUT SWITCH CHARACTERISTIC CURVES

Fig. 5 VOLTAGE DROP VS LOAD CURRENT

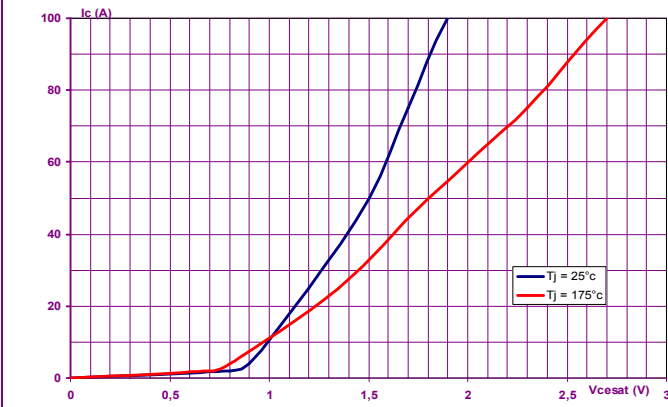


Fig. 6 REVERSE VOLTAGE DROP VS REVERSE CURRENT

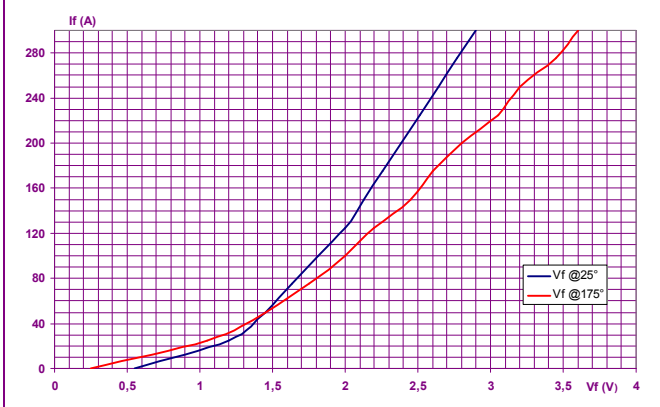


Fig. 7 POWER ELEMENT TRANSIENT THERMAL IMPEDANCE vs. PULSE DURATION

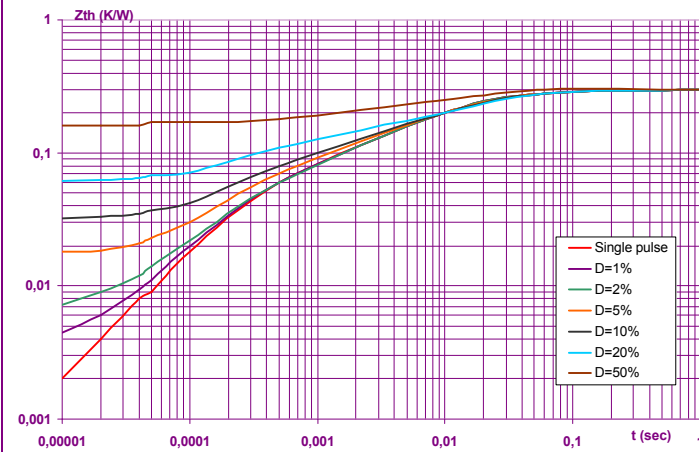


Fig. 8 ON-STATE PEAK OVERLOAD CURRENT vs. PULSE DURATION

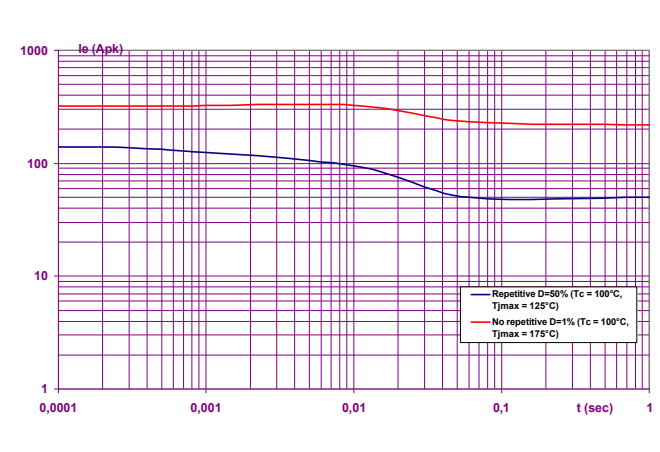
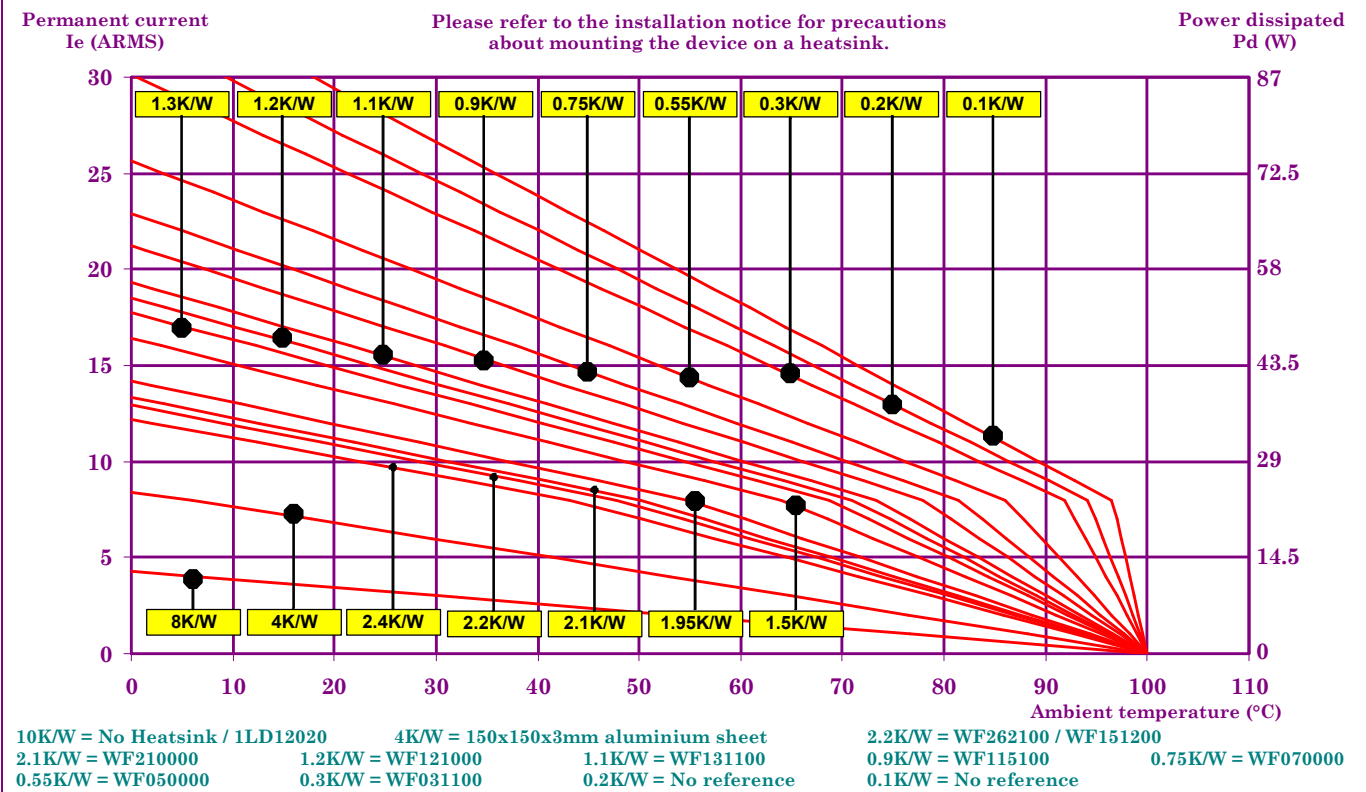


Fig. 9 POWER DISSIPATED AND LOAD CURRENT LIMIT VS TEMPERATURE





PRELIMINARY DATA

GENERAL INFORMATION

CONNECTIONS	Connections	Power	Control
	Screwdriver advised	Philips™ NR2	Philips™ NR1
	Min and max tightening torque	1.8 N.m	0.8 N.m
	Insulated crimp terminals (round tabs, eyelet type)	M5	M3

MISC.	Display	Green LED (indicates relay has switched ON)	
	Housing	UL94V0	
	Mounting	2 screws (M4x12mm)	See mounting sheet
	Noise level	No audible noise	
	Weight	100g	

STANDARDS

GENERAL	Standards	IEC60947-1
	Protection level	IP00
	Protection against direct touch	None
	CE marking	Yes
	UL, cULUS and VDE approvals	Pending

E.M.C. IMMUNITY	TYPE OF TEST	STANDARD	LEVEL	EFFECT
	E.S.D. (Electrostatic discharges)	EN61000-4-2	Pending	?
	Radiated electromagnetic fields	EN61000-4-3	Pending	?
	Fast transients bursts	EN61000-4-4	Pending	No effect
	Electric chocks	EN61000-4-5	Pending	?
Voltage drop	EN61000-4-11	-		

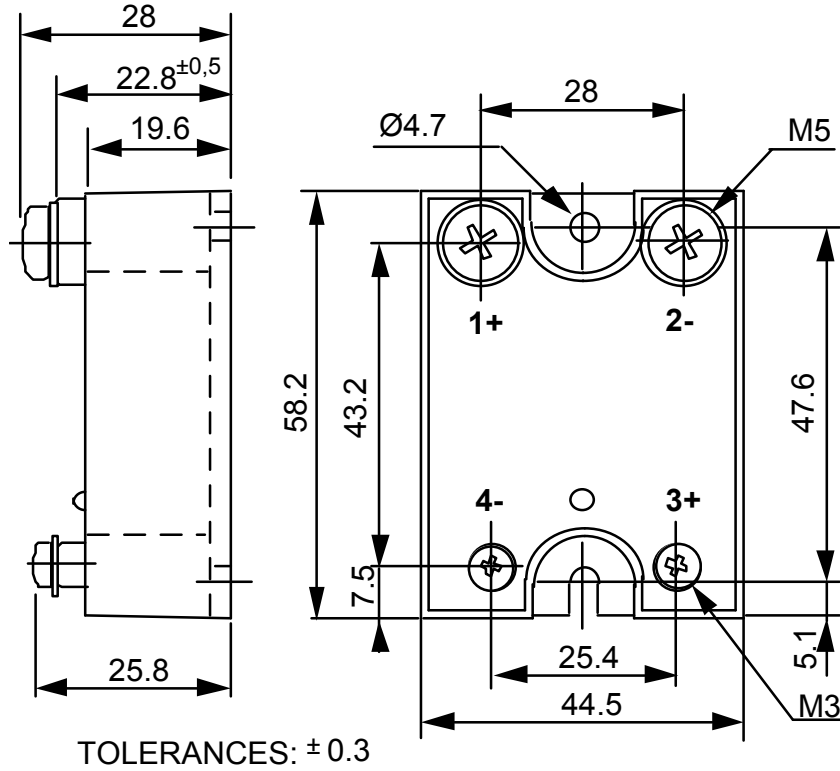
E.M.C. EMISSION	Radiated and conducted disturbances	NFEN55011	Pending
-----------------	-------------------------------------	-----------	---------



DIMENSIONS AND ACCESSORIES

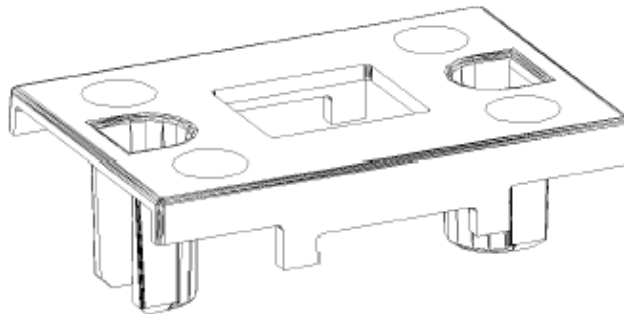
Fig. 10

DIMENSIONS (mm)



ACCESSORIES

PROTECTIVE COVER
1K470000



Please consult our website for other accessory references
(Heatsinks, mounting adaptors, thermal grease...)



ISO 9001
N° 1993/1106a

ASSOCIATION
FRANÇAISE POUR
L'ASSURANCE DE
LA QUALITÉ