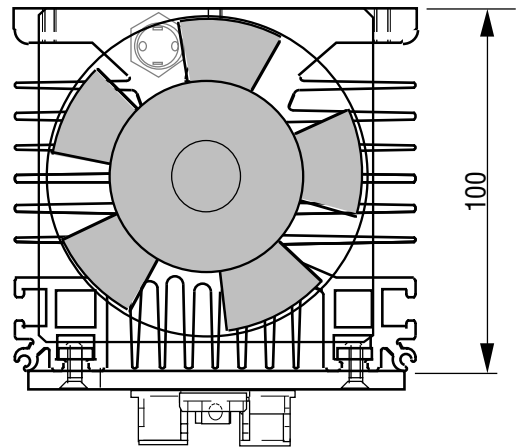


DISSIPATEUR HEATSINK

WF031100
 $R_{th\ j/c}=0,3k/w$
 Ventilé/with fan
 poids/weight: 1kg770

For SC,SO,
 SG,SV (40 and 47,6mm mounting dimension)

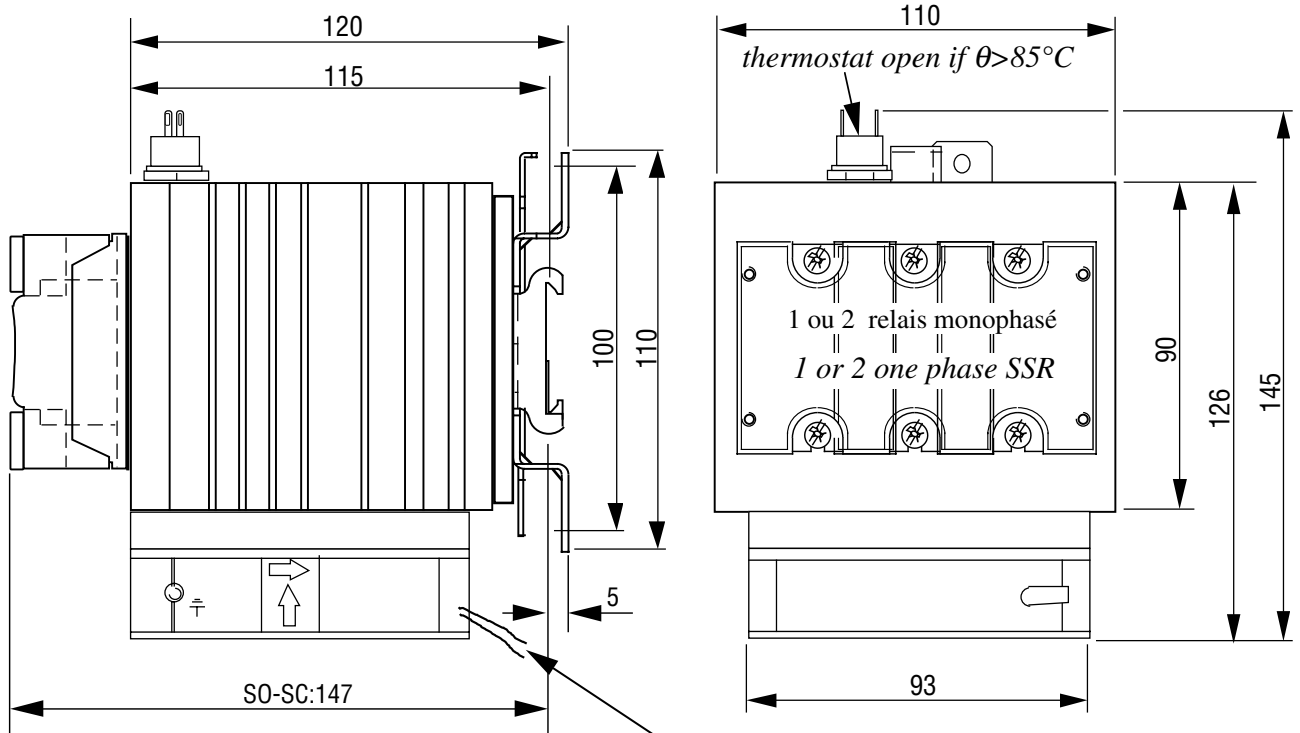


KIT de montage Visserie/Screws kit

1LK00100

2 Vis tête pozidriv/ pozidriv screws:
 CLZ M4 x 10
 2 Rondelles contact/ washers:
 CS Ø 4 x 10

montage d'un relais type SC,SO/
 SSRs mounting SC,SO



Montage relais/dissipateur possible à celduc par quantité
 Mounting possibility in *celduc* factory if quantity:1LW00000

Alimentation ventilateur/
 fan supply 200/240VAC-50Hz/60Hz

Proud to serve you

All technical characteristics are subject to change without previous notice.
 Caractéristiques sujettes à modifications sans préavis.

celduc[®]
 r e l a i s

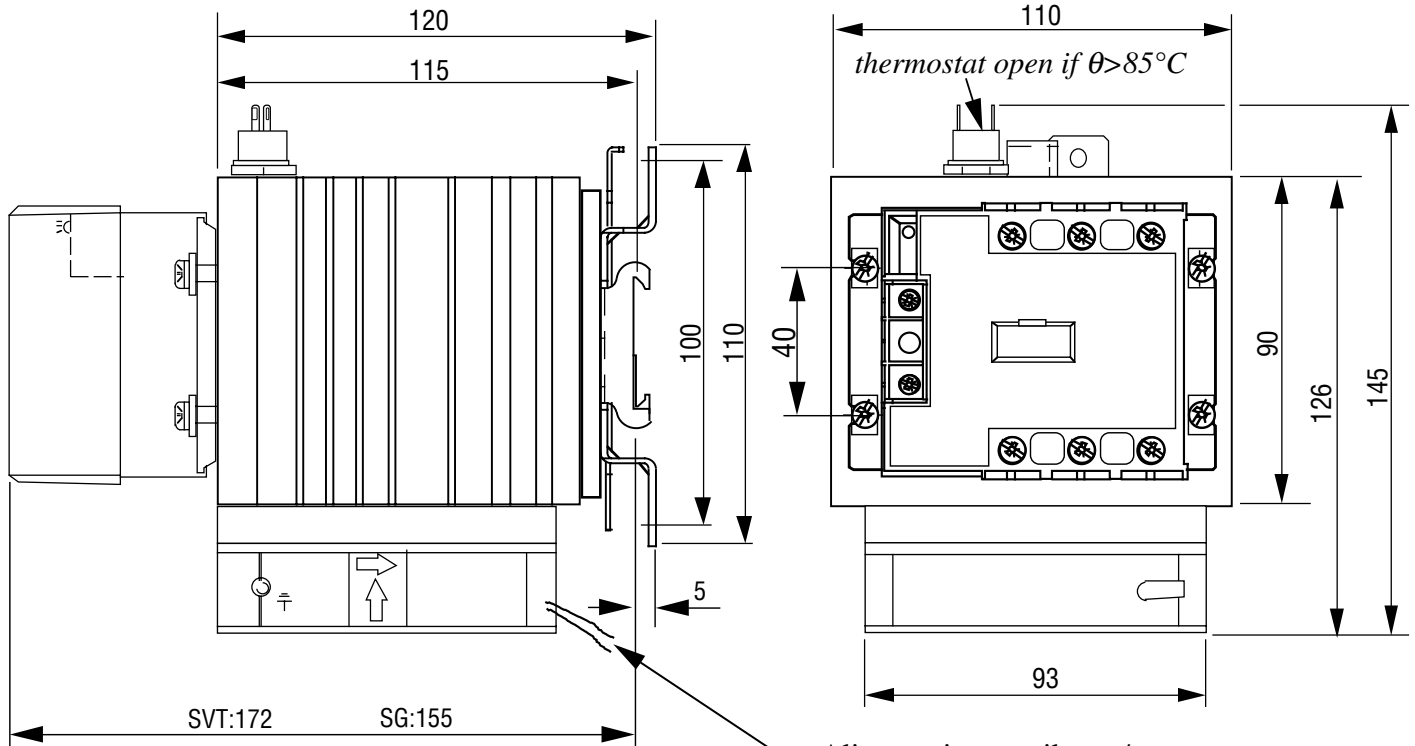
montage d'un relais type SG,SV
/SSRs mounting SG,SV

KIT de montage Visserie/Screws kit

1LK00200

4 Vis tête pozidriv/pozidriv screws: CLZ M4 x 12
4 Rondelles contact/washers : CS Ø 4 x 10
4 Appuis/rectangular washers: 12 x 8 x 2 Ø 4,3

relais type SG,SV/SSR: SG,SV
entraxe 40mm

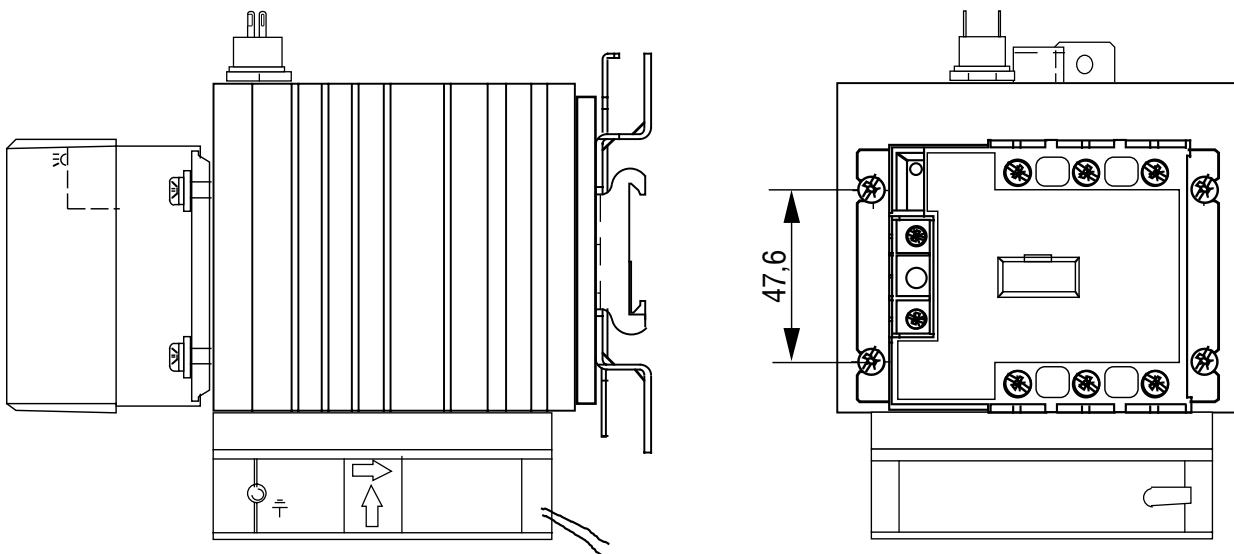


Montage relais/dissipateur possible à celduc par quantité
Mounting possibility in *celduc* factory if quantity: **1LW00000**

Alimentation ventilateur/
fan supply 200/240VAC-50Hz/60Hz

4 Vis tête pozidriv/ pozidriv screws: CLZ M5 x 12

relais type SG,SV/SSR: SG,SV
entraxe 47,6mm



Proud to serve you

All technical characteristics are subject to change without previous notice.
Caractéristiques sujettes à modifications sans préavis.

celduc[®]
r e l a i s

CARACTERISTIQUES DE LA PROTECTION THERMIQUE/ CHARACTERISTICS OF THE THERMAL PROTECTION	
CARACTERISTIQUES/ CHARACTERISTICS	VALEURS/ VALUES (Données à 20°C sauf spécification) (Given at 20°C ambient unless otherwise specified)
Type de contact/ <i>Contact type</i>	Normalement fermé/ <i>Normally close</i>
Température de fermeture/ <i>Closing Temperature</i>	80°C
Température d'ouverture/ <i>Opening Temperature</i>	90°C +/- 3°C
Tension nominale/ <i>Nom.Voltage</i>	250VAC/DC
Courant nominal/ <i>Nom.Current</i>	6A
Résistance de contact/ <i>Contact resistance</i>	10mΩ
Isolement entre contacts ouverts/ <i>Isolation between opened contacts</i>	10GΩ
Isolement par rapport au boîtier/ <i>Isolation between contacts and housing</i>	4kV
Résistance d'isolement/ <i>Isolation Resistance</i>	10GΩ
Raccordement/ <i>Connections</i>	Cosses clip 2,8mm ou fils soudés/ <i>2,8mm flat tabs or welded wires</i>

CARACTERISTIQUES DE LA VENTILATION CHARACTERISTICS OF THE FAN	
CARACTERISTIQUES/ CHARACTERISTICS	VALEURS/ VALUES (Données à 20°C sauf spécification) (Given at 20°C ambient unless otherwise specified)
3610PS-23T-B30 A00	
Type de moteur/ <i>Motor</i>	Moteur à spire de Frager/ <i>Shaded pole induction motor</i>
Tension d'alimentation/ <i>Supply Voltage</i>	230VAC
Consommation/ <i>Consumption</i>	9W 68mA
Fréquence réseau/ <i>Supply Fréquence</i>	50-->60Hz
Vitesse de rotation/ <i>Speed</i>	2600tr/min/2600RPM
Niveau de bruit/ <i>Noise Level</i>	35 dbA
Raccordement/ <i>Connections</i>	cosses clip 2,8mm/2,8mm flat tabs



celduc[®]
r e l a i s

www.celduc.com

5 Rue Ampère B.P. 30004 42290 SORBIERS - FRANCE E-Mail : celduc-relais@celduc.com
 Fax +33 (0) 4 77 53 85 51 Service Commercial France Tél. : +33 (0) 4 77 53 90 20
 Sales Dept.For Europe Tel. : +33 (0) 4 77 53 90 21 Sales Dept. Asia : Tél. +33 (0) 4 77 53 90 19



General Specifications

Allowable Ambient Temperature Range:

- 10°C ~ +70°C (Operating)
- 40°C ~ +70°C (Storage)
- (non-condensing environment)

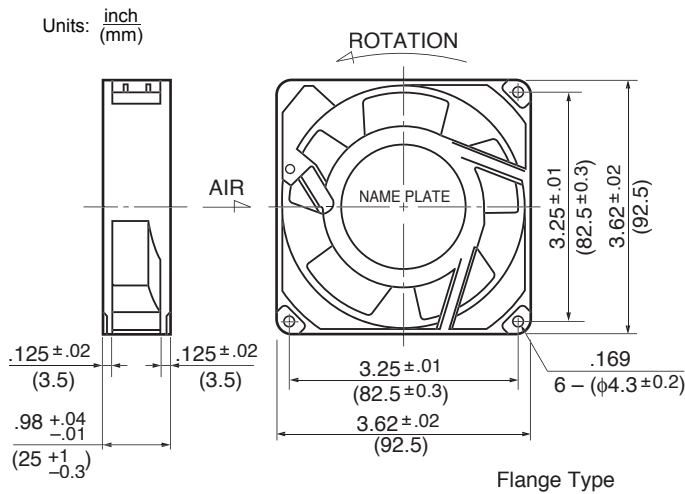
Motor Structure: Shaded Pole Induction Motor

Motor Protection: Impedance Protection

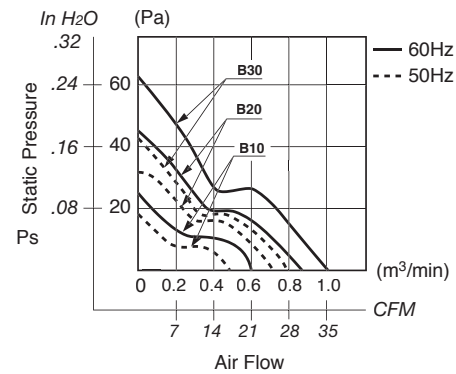
Expected Life

Failure Rate: 10%
25°C 50,000 Hours

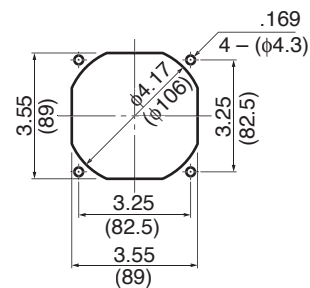
Outline



Characteristic Curves



Panel Cut-outs



INLET SIDE / OUTLET SIDE

Material

- Casing : Aluminum
- Impeller : Polycarbonate (Glass Fiber-Containing)
- Bearing : Ball Bearings
- Lead Wire: AWG22, UL3266, CSA CL1252
- or Terminal: Faston #110 or equivalent





3610PS-23T-B30 A00

Specifications

MODEL	Rated Voltage	Frequency	Starting Voltage	Current	Input Power	Speed	Max. Air Flow		Max. Static Pressure		Noise	Mass
	(V)	(Hz)	(V)	(A)*1	(W) ^{+10% -20%}	(min ⁻¹)*3	CFM*2	(m ³ /min)*3	in H ₂ O	(Pa)*3	(dB)*2	(g)
3610PS-10T-B30-B00	100	50	65	0.190	13.0	2600	28.0	0.80	.17	43.1	33.5	300
	100	60	65	0.150	10.0	3100	34.5	0.98	.24	60.7	38.0	300
3610PS-12T-B30-A00	115	50	75	0.170	12.0	2600	28.0	0.80	.17	43.1	33.5	300
	115	60	75	0.130	9.0	3100	34.5	0.98	.24	60.7	38.0	300
3610PS-20T-B30-B00	200	50	130	0.100	13.0	2600	28.0	0.80	.17	43.1	33.5	300
	200	60	130	0.080	10.0	3100	34.5	0.98	.24	60.7	38.0	300
3610PS-22T-B30-B00	220	50	165	0.100	13.0	2600	28.0	0.80	.17	43.1	34.0	300
	220	60	165	0.080	10.0	3100	34.5	0.98	.24	60.7	39.0	300
3610PS-23T-B30-A00	230	50	180	0.090	13.0	2600	28.0	0.80	.17	43.1	34.0	300
	230	60	180	0.070	10.0	3100	34.5	0.98	.24	60.7	39.0	300
3610PS-24T-B30-A00	240	50	180	0.085	13.0	2600	28.0	0.80	.17	43.1	34.0	300
	240	60	180	0.065	10.0	3100	34.5	0.98	.24	60.7	39.0	300
3610PS-10T-B20-B00	100	50	65	0.095	7.0	2100	21.0	0.60	.11	27.4	30.0	300
	100	60	65	0.085	6.0	2500	28.0	0.80	.16	39.2	35.0	300
3610PS-12T-B20-A00	115	50	75	0.095	7.0	2100	21.0	0.60	.12	29.4	30.0	300
	115	60	75	0.090	6.0	2500	28.0	0.80	.16	39.2	35.0	300
3610PS-20T-B20-B00	200	50	130	0.060	7.0	2100	22.9	0.65	.11	27.4	30.0	300
	200	60	160	0.050	6.0	2500	28.0	0.80	.16	39.0	35.0	300
3610PS-22T-B20-B00	220	50	165	0.050	6.5	2100	21.0	0.60	.12	29.4	30.0	300
	220	60	165	0.050	5.5	2500	28.0	0.80	.15	38.2	35.0	300
3610PS-23T-B20-A00	230	50	180	0.050	7.0	2100	21.0	0.60	.12	29.4	30.0	300
	230	60	180	0.050	6.0	2500	28.0	0.80	.16	39.2	35.0	300
3610PS-24T-B20-A00	240	50	180	0.050	9.0	2100	21.0	0.60	.12	29.4	30.0	300
	240	60	180	0.050	8.0	2500	28.0	0.80	.16	39.2	35.0	300
3610PS-10T-B10-B00	100	50	65	0.100	7.0	1450	16.0	0.46	.05	13.7	23.0	300
	100	60	65	0.090	6.0	1800	20.0	0.58	.08	19.6	26.0	300
3610PS-12T-B10-A00	115	50	75	0.090	7.0	1450	16.0	0.46	.05	13.7	22.0	300
	115	60	75	0.080	6.0	1800	20.0	0.58	.08	19.6	25.0	300
3610PS-20T-B10-B00	200	50	130	0.045	7.0	1500	16.0	0.46	.05	13.7	24.0	300
	200	60	130	0.040	6.0	1900	21.0	0.60	.08	19.6	27.0	300
3610PS-22T-B10-B00	220	50	165	0.050	8.0	1450	16.0	0.46	.05	13.7	23.0	300
	220	60	165	0.040	7.0	1800	21.0	0.60	.08	19.6	26.0	300
3610PS-23T-B10-A00	230	50	180	0.050	7.0	1450	16.0	0.46	.05	13.7	22.0	300
	230	60	180	0.040	6.0	1800	20.0	0.58	.08	19.6	26.0	300
3610PS-24T-B10-A00	240	50	180	0.050	8.0	1450	16.0	0.46	.05	13.7	24.0	300
	240	60	180	0.045	7.0	1800	21.0	0.60	.08	19.6	27.0	300



Select your DC Fan Model!

[View Spec](#) [Check Stock](#)

Select a DC Blower

[View Spec](#) [Check Stock](#)

Select your AC Fan Model

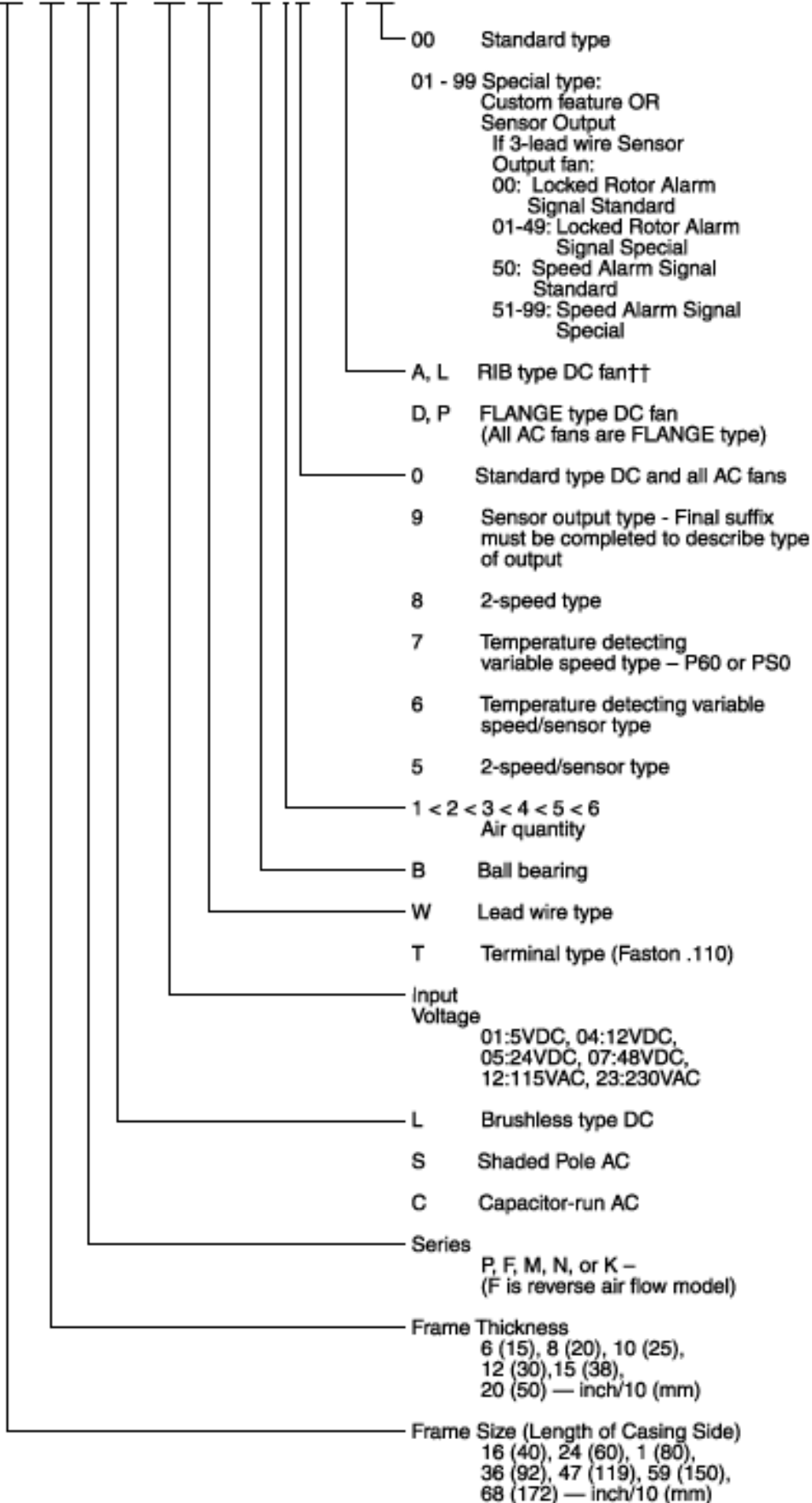
[View Spec](#) [Check Stock](#)

PART NUMBERING SYSTEM

[Product Code](#) / [Flange Type/Rib Type](#) / [Tornado Blower Fan Series Part Numbering System](#)

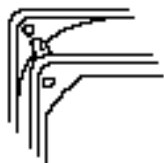
PRODUCT CODE

24 10 M L - 04 W - B 10 - P 00

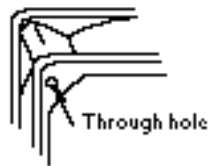


FLANGE TYPE / RIB TYPE

FLANGE TYPE



RIB TYPE

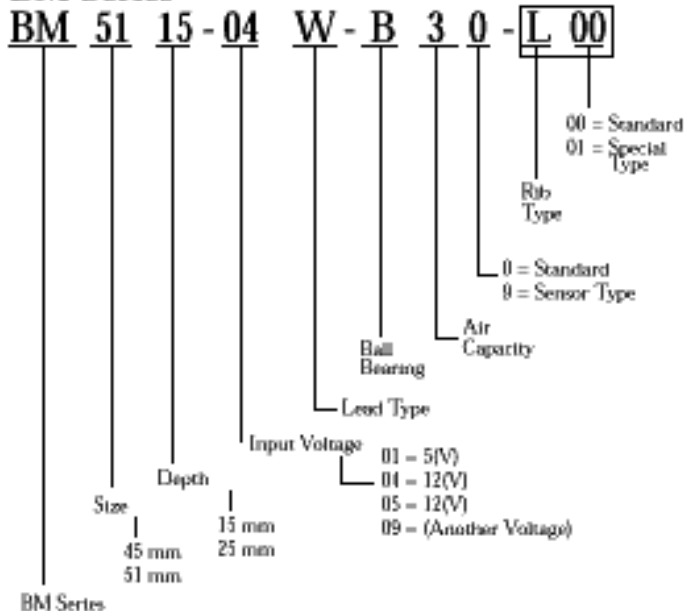


(Note) Set RIB type of FLANGE types according to the mounting method.

RIB type is a non-stock item/may be subject to lead time.

TORNADO BLOWER FAN SERIES PART NUMBERING SYSTEM

BM Series



BG Series

