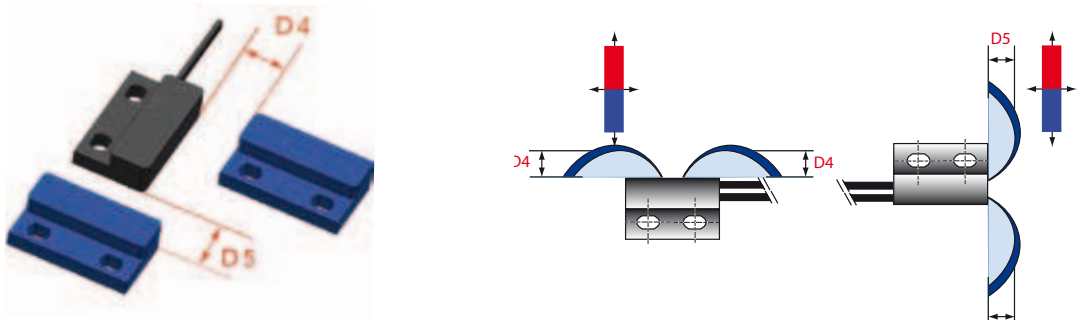


Activate Distance

Resulting from position and movement of the actuator magnet.



Note: The mentioned distances in millimeters in the table are typical values, they can differ in applications.

Type	Part-No.	Magnetic Sensitivity	Position and Movement max. Pull-in Distance in mm					Position and Movement min. Drop-out in mm				
		mT	D1	D2	D3	D4	D5	D1	D2	D3	D4	D5
MK03-1A66B-500W	2232711054	> 1,70	15,0	6,5	9,3	8,5	8,5	17,5	8,0	11,4	10,1	10,1
MK03-1A66C-500W	2233711054	> 2,30	13,0	4,4	7,4	7,2	7,2	16,5	6,5	9,9	9,5	9,5
MK03-1A66D-500W	2234711054	> 2,70	11,0	4,0	5,7	6,5	6,5	14,5	5,5	8,5	9,0	9,0
MK03-1A66E-500W	2235711054	> 3,10	10,0	3,5	4,5	5,7	5,7	13,5	5,0	8,0	8,5	8,5
MK04-1A66B-500W	2242661054	> 1,70	15,0	6,5	9,3	8,5	8,5	17,5	8,0	11,4	10,1	10,1
MK04-1A66C-500W	2243711054	> 2,30	13,0	4,4	7,4	7,2	7,2	16,5	6,5	9,9	9,5	9,5
MK04-1A66D-500W	2244711054	> 2,70	11,0	4,0	5,7	6,5	6,5	14,5	5,5	8,5	9,0	9,0
MK04-1A66E-500W	2245661054	> 3,10	10,0	3,5	4,5	5,7	5,7	13,5	5,0	8,0	8,5	8,5
MK05-1A66B-500W	2252711054	> 1,70	15,0	6,5	9,3	8,5	8,5	17,5	8,0	11,4	10,1	10,1
MK05-1A66C-500W	2253711054	> 2,30	13,0	4,4	7,4	7,2	7,2	16,5	6,5	9,9	9,5	9,5
MK05-1A66D-500W	2254661054	> 2,70	11,0	4,0	5,7	6,5	6,5	14,5	5,5	8,5	9,0	9,0
MK05-1A66E-500W	2255661054	> 3,10	10,0	3,5	4,5	5,7	5,7	13,5	5,0	8,0	8,5	8,5
MK06-4-A	2206040000	< 1,70	18	8,5	15	12	13,5	19	9,5	16	13,5	15
MK06-4-B	2206040001	> 1,70	16	7,5	12,5	10,5	11	17	8	13,5	11,5	12
MK06-4-C	2206040002	> 2,30	14	7	10,5	9,5	9,5	16	7,5	13	11	12
MK06-4-D	2206040003	> 2,70	13	6,5	10	9	9	15	7	11,5	10	10,5
MK06-4-E	2206040004	> 3,10	12	5,5	8,5	8	8	13	6	9,5	9	9
MK12-1A66B-500W	9122711054	> 1,70	18	8	14	13	11,5	20,5	10	17	14,5	13
MK12-1A66C-500W	9123711054	> 2,30	16	6	11,5	9,5	8,5	18	8,5	15	12,5	11,5
MK12-1A66D-500W	9124711054	> 2,70	14	5	7,5	7,5	5,5	17	6,5	11,5	11,5	9,5
MK12-1A66E-500W	9125711054	> 3,10	13	4	5,5	7	3,5	16	6	11	11	8,5
MK11/M8-1A66B-500W	9118266054	> 1,70	15,0	6,5	9,3	8,5	8,5	17,5	8,0	11,4	10,1	10,1
MK11/M8-1A66C-500W	9118366054	> 2,30	13,0	4,4	7,4	7,2	7,2	16,5	6,5	9,9	9,5	9,5
MK11/M8-1A66D-500W	9118066054	> 2,70	11,0	4,0	5,7	6,5	6,5	14,5	5,5	8,5	9,0	9,0
MK11/M8-1A66E-500W	9118566054	> 3,10	10,0	3,5	4,5	5,7	5,7	13,5	5,0	8,0	8,5	8,5
MK13-1A66B-500W	9132661054	> 1,70	15,0	6,5	9,3	8,5	8,5	17,5	8,0	11,4	10,1	10,1
MK13-1A66C-500W	9133711054	> 2,30	13,0	4,4	7,4	7,2	7,2	16,5	6,5	9,9	9,5	9,5
MK13-1A66D-500W	9134711054	> 2,70	11,0	4,0	5,7	6,5	6,5	14,5	5,5	8,5	9,0	9,0
MK13-1A66E-500W	9135661054	> 3,10	10,0	3,5	4,5	5,7	5,7	13,5	5,0	8,0	8,5	8,5
MK14-1A66B-100W	9142711054	> 1,70	15	7	11	10	8	16	8	12	12	9
MK14-1A66C-100W	9143711054	> 2,30	11	5	8	9	6	13	6,5	10	11	7,5
MK14-1A66D-100W	9144711054	> 2,70	10	4	6	6	4,5	12	5	8	8	6,5
MK14-1A66E-100W	9145711054	> 3,10	9	3	4	4	2,5	11	4,5	7	6	5
MK15-B-2	9151710022	> 1,70	14	6,5	7	9	7	16	8	9	9,5	8
MK15-C-2	9151710023	> 2,30	13	6	6,5	8,5	6,5	15	7,5	8,5	9	7,5
MK15-D-3	9151710024	> 2,70	12	5,5	6	7,5	5,5	14	7	8	8,5	7
MK15-E-3	9151710025	> 3,10	11	5	4,5	7	3,5	13	6	7	8	6

Note: The mentioned distances in millimeters in the table are typical values, they can differ in applications.

Type	Article-No.	Magnetic Sensitivity	Position and Movement max. Pull-in Distance in mm					Position and Movement min. Drop-out Distance in mm				
		mT	D1	D2	D3	D4	D5	D1	D2	D3	D4	D5
MK16-B-2	9161870022	> 1,70	15	7	11	10	9.5	16	8	12	11	11
MK16-C-2	9161870023	> 2,30	13	6	8	8	8	14.5	7	10	10	9.5
MK16-D-2	9161870024	> 2,70	12	5.5	7	7.5	7	14	6.5	9	9.5	9
MK16-E-2	9161870025	> 3,10	11	5	6	7	5.5	13.5	6	9.5	9	8.5
MK17-B-2	9171009022	> 1,70	15	7.5	12.5	10	11	16	8	13.5	11	12
MK17-C-2	9171009023	> 2,30	14.5	7	10	9	9.5	15.5	7.5	11.5	10	10.5
MK17-D-2	9171009024	> 2,70	12.5	6	9.5	8	8	14	7	11	9.5	9.5
MK17-E-2	9171009025	> 3,10	12	5.5	8.5	7.5	7.5	13.5	6.5	10.5	8.5	9
MK18-B-300W	9182100034	> 1,70	16.5	8	14.5	10	12	18.5	9.5	16.5	10.5	14
MK18-C-300W	9183100034	> 2,30	14	7	11	9	9.5	15.5	8	12.5	10	11
MK18-D-300W	9184100034	> 2,70	12	5.5	9	8	7.5	14	7.5	11	9.5	10
MK18-E-300W	9185100034	> 3,10	11	5	7	7	6	13.5	7	10.5	9	9.5
MK20/1-B-100W	9202100014	> 1,70	11	5.5	9	6.5	7.5	11.5	6	10	7	8
MK20/1-C-100W	9203100014	> 2,30	10.5	5	8	6	7	11	5.5	9	6.5	7.5
MK20/1-D-100W	9204100014	> 2,70	10	4.5	7	5.5	6.5	10.5	5	8	6	7
MK20/1-E-100W	9205100014	> 3,10	9.5	4	6	5	6	10	4.5	7	5.5	6.5
MK21M-1A66B-500W	9212100054	> 1,70	13	5.5	4.5	8	3	14	6.5	5.5	9	4
MK21M-1A66C-500W	9213100054	> 2,30	11	4	2.5	6.5	1.5	13	6	4.5	8.5	3.5
MK21M-1A66D-500W	9214100054	> 2,70	9.5	3.5	1	5	1	11.5	5	2.5	7	2
MK21M-1A66E-500W	9215660054	> 3,10	8	2.5	x	4	x	10	3.5	x	6	x

All distance data above are valid for the magnets below:

4003004003 / open cylindrical magnet, ø 4x19 mm	2500000005 / M5, screw magnet
2500000002 / M2, screw magnet	2500000013 / M13, screw magnet
2500000004 / M4, screw magnet	2500000021 / M21, screw magnet

The table on these pages contains only part of the MEDER sensor product range. Switching distances for other series, switch types, special sensors and with other magnets can be obtained upon request.