



Coloray Spot 12 (CS-12)



Specification

Electrical:

power requirement: 15VDC

power Consumption: 12W max at full intensity

compatible driver: Coloray drive 65II

Source & optics:

LEDs: 4 x 1W Red/ 4 x 1W Green/ 4 x 1W Blue

Beam angle: Spot(25degree)

Life time: estimated 100,000 hours when color changing

Total Lux(3M): R123 G168 B11.7 W312

Communication:

DMX 512(1990): RGB 3 channels

Environment:

Operating temperature: -10~40 degree

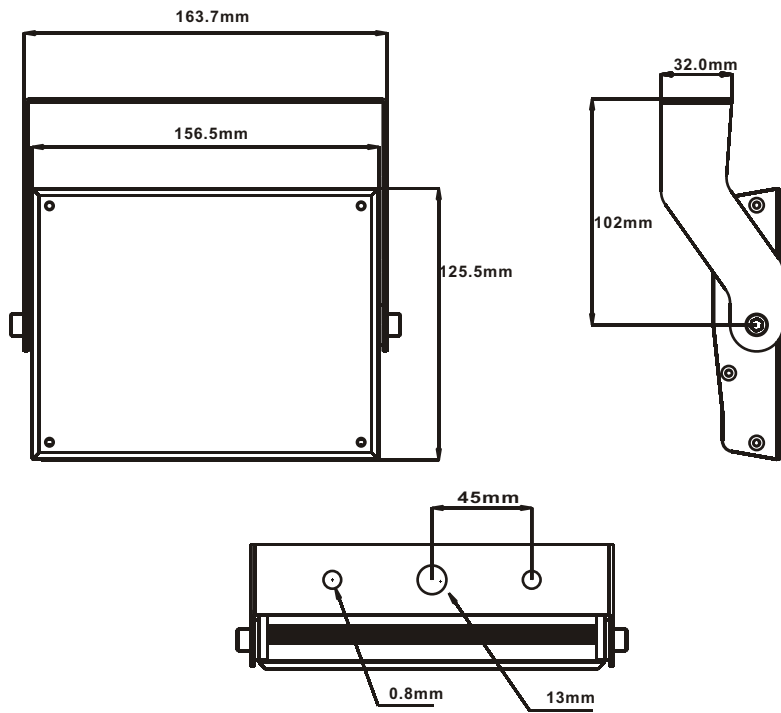
Housing:

Finish: First grade aluminum housing in black color

Dimensions(mm): L157 x W123 x H 36

Weight: 0.85Kg

Protection: IP20



Wiring Diagram

