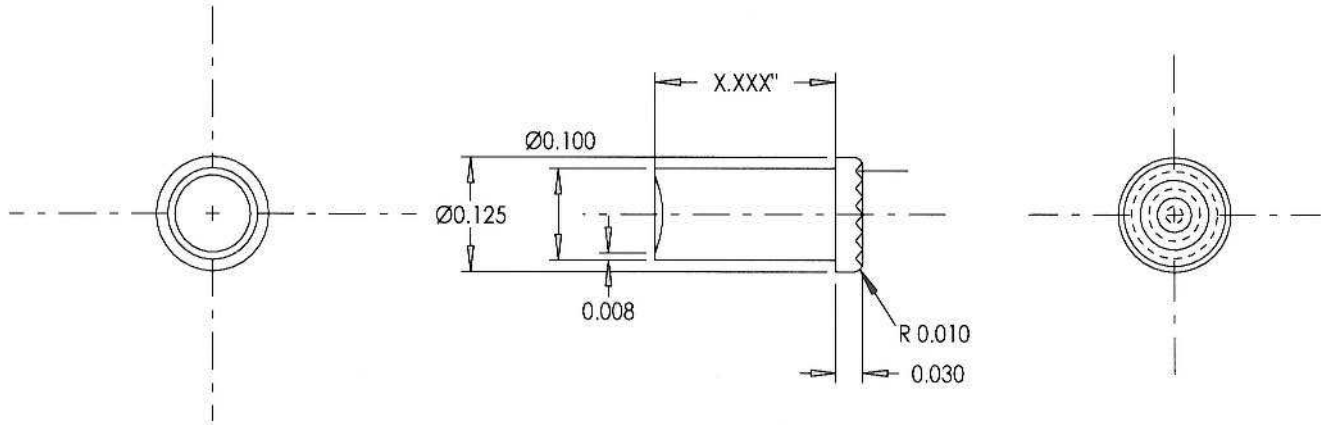


APPROVAL	DATE
<i>JG</i>	11/26/08



ORDERING CODE: LMC XXX CTP

MODEL \_\_\_\_\_ COLOR \_\_\_\_\_  
 Equals length in inches \_\_\_\_\_ CTP CLEAR  
 (Min. 010 = .100" / Max. 150 = 1.50")

010	.100"
020	.200"
040	.400"
060	.600"
080	.800"
100	1.00"
120	1.20"
150	1.50"

Note: Custom lengths available upon request.  
 Minimum order quantity may apply.

U.S. & FOREIGN PATENTS ISSUED AND PENDING

NOTES:

1) Material: Acrylic ( Clear optical grade).  
 U.L. Manual - "Thermoplastic material used  
 on a secondary circuit."

REVISIONS			
NO	DESCRIPTION	DATE	BY
1	Added 150 length, renamed dwg. update format	10/24/08	JG
2	Added 010 length	11/25/08	JG
3			
4			
5			

VCC P/N: LMC XXX CTP

**VCC** VISUAL COMMUNICATIONS COMPANY, INC.  
 190 Bosstick Blvd, Ste. 101 San Marcos, California 92069 U.S.A.  
 Phone (760) 560-1300 Fax (760) 560-1301 e-mail vccsales@vcclite.com

TOLERANCES	SCALE	5X	DATE	10/27/06	DRAWING NO.	REV.
DECIMAL ±.004	DIAMETER	.003 Max	DRAWN BY	SK	LMC XXX CTP A	2
ANGLE ±03'	RADII	.008 Max	MATL	See Notes		