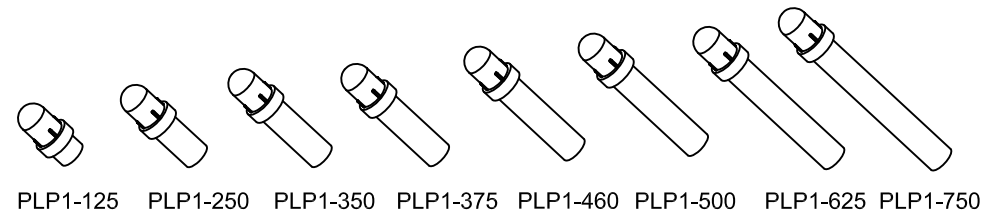
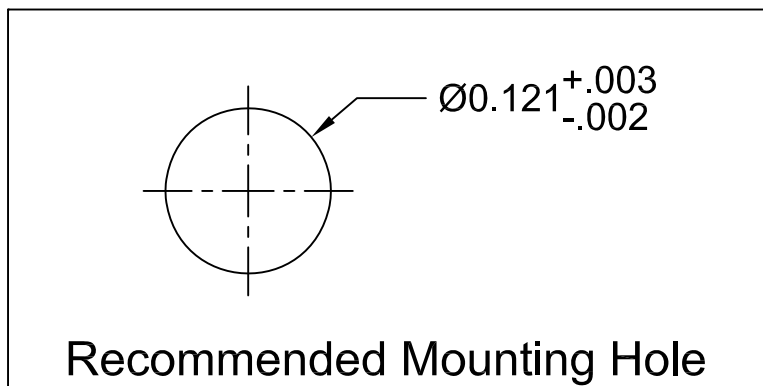
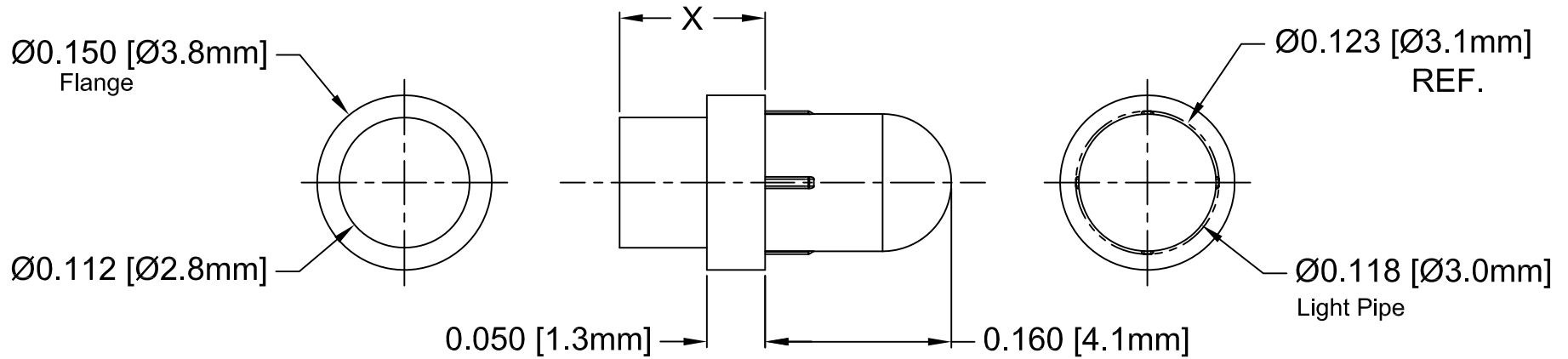


Part No.	X = Body Length
PLP1-125	0.125 ( 3.2mm )
PLP1-250	0.250 ( 6.4mm )
PLP1-350	0.350 ( 8.9mm )
PLP1-375	0.375 ( 9.5mm )
PLP1-460	0.460 ( 11.7mm )
PLP1-500	0.500 ( 12.7mm )
PLP1-625	0.625 ( 15.9mm )
PLP1-750	0.750 ( 19.0mm )

REV.	DESCRIPTION	DATE	APPROVED
F	Changed "0.120" to "0.121".	05/27/04	M. C.
G	Removed Max.	08/12/04	M. C.
H	Added 0.460" Length.	07/26/07	M. C.
J	Removed Rib Dimension.	03/13/09	T. Y.
K	Updated Rib Dimension.	04/10/09	T. Y.



2. MATERIAL: POLYCARBONATE, 94V-0, CLEAR. BIVAR MATERIAL CODE 47-CR.  
SAM YANG CORPORATION POLYCARBONATE 3025N2 CLEAR.

1. GENERAL SPECIFICATIONS: BIVAR MOLDED COMPONENT SPECIFICATION BV00-E101.

STANDARD TOLERANCE ( UNLESS OTHERWISE SPECIFIED )		 4 THOMAS, IRVINE, CA. 92618 TEL: (949) 951-8808   FAX: (949) 951-3974	
DECIMALS	ANGULAR		
.X     ± .1	X°   ± 1°		<b>TITLE:</b> PRESS-FIT, PANEL MOUNT, LIGHT PIPE, ROUND TOP
.XX   ± .01			
.XXX ± .005			
DESIGNED: <b>Michael Chen</b>	DATE: <b>01/16/02</b>	<b>PART NO:</b> PLP1-XXX	REVISION: <b>K</b>
CHECKED: <b>E. M. Muldoon</b>	DATE: <b>04/26/02</b>	<b>CAGE CODE :</b> 32559	<b>SHEET #</b> 1 <b>OF</b> 1
CAD GENERATED DOCUMENT, DO NOT MEASURE DRAWING.			