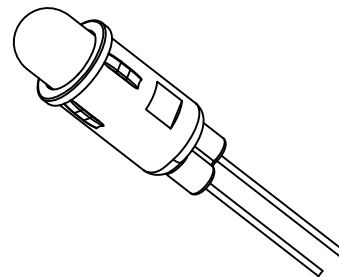
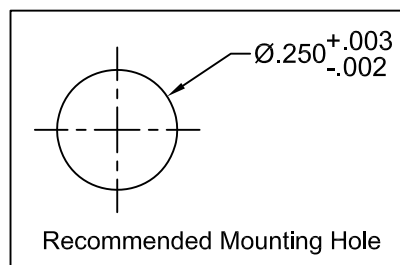
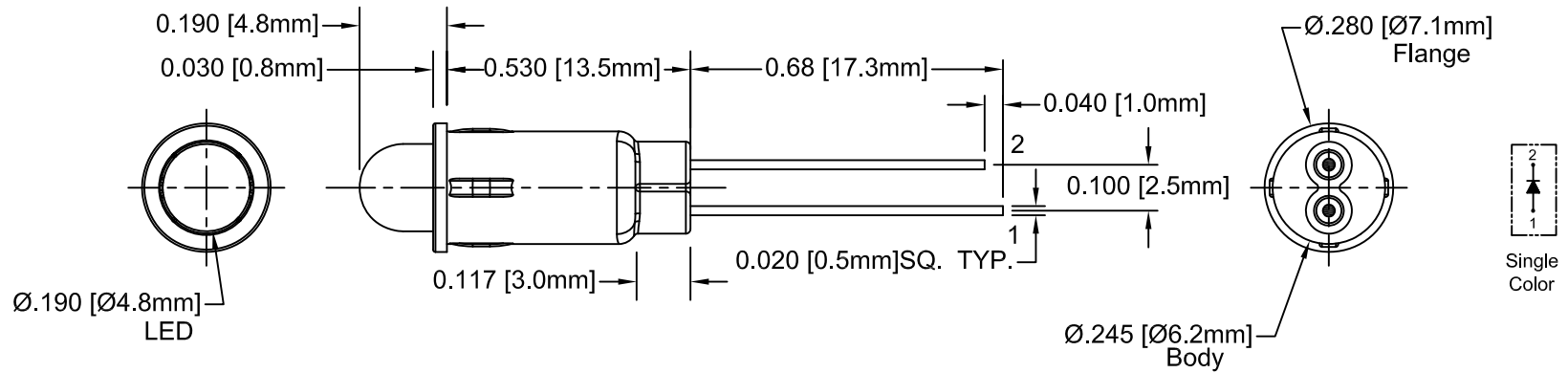


# 352 Series

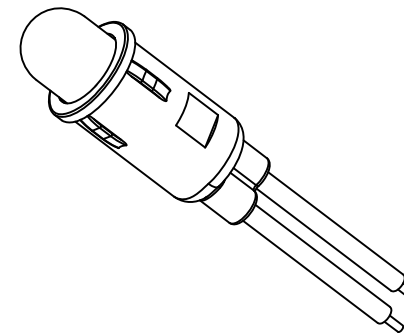
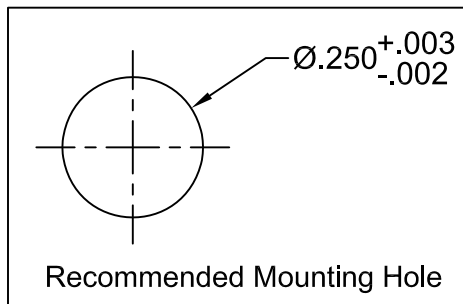
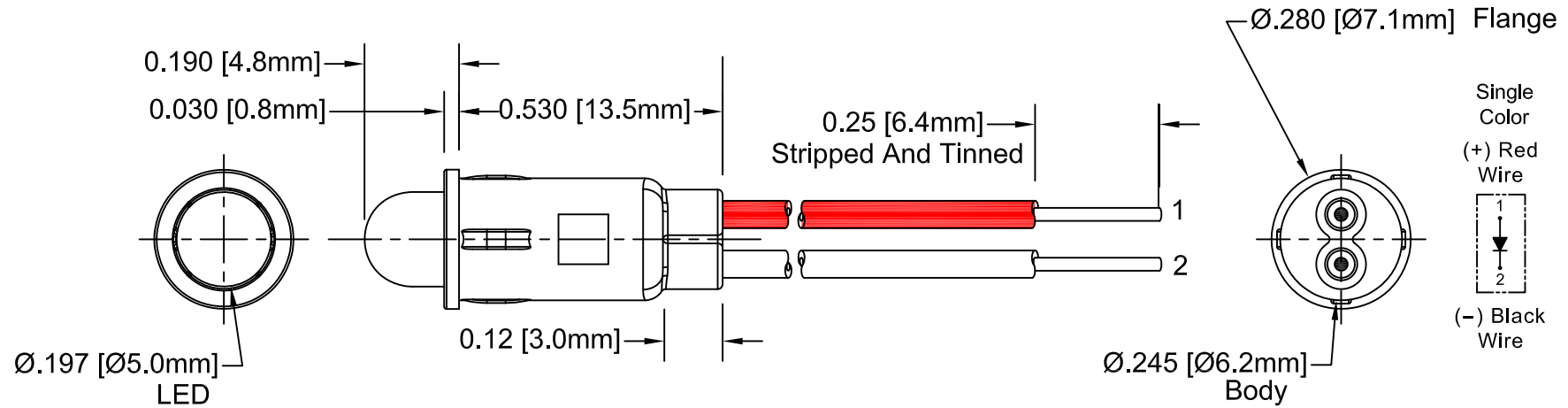




## ABSOLUTE MAXIMUM RATINGS ( $T_a = 25^\circ\text{C}$ )

|  |       |  |
|--|-------|--|
| REVERSE VOLTAGE                              | _____ | 5V   |
| REVERSE CURRENT ( $V_R=5\text{V}$ )          | _____ | $100\mu\text{A}$                           |
| OPERATING TEMPERATURE RANGE                  | _____ | $-25^\circ\text{C} \sim 85^\circ\text{C}$  |
| STORAGE TEMPERATURE                          | _____ | $-30^\circ\text{C} \sim 100^\circ\text{C}$ |
| LEAD SOLDERING TEMPERATURE (1/16" FROM BODY) | _____ | $260^\circ\text{C}$ for 5 Seconds          |



|  |                       |                       |  |
|--|-----------------------|-----------------------|--|
| STANDARD TOLERANCE<br>(UNLESS OTHERWISE SPECIFIED)             |                       | <b>MARL</b>           | MARL BUSINESS PARK, ULVERSTON, UK. LA12 9BN<br>Tel: +44 (0)1229 582 430. Web: www.leds.co.uk |
| DECIMALS   | ANGULAR               |                       |  |
| .X $\pm .1$  | $X^\circ \pm 1^\circ$ |                       |  |
| .XX $\pm .02$  |                       |                       | <b>TITLE:</b><br>STD PANEL MOUNT INDICATORS  |
| .XXX $\pm .010$  |                       |                       | <b>PART NO:</b><br>352 Series  |
| <b>Provisional</b>   |                       | <b>SHEET # 1 OF 3</b> |  |
| <small>CAD GENERATED DOCUMENT, DO NOT MEASURE DRAWING.</small> |                       |                       |  |

# 352 Series (Flying Leads version)



| STANDARD TOLERANCE<br>( UNLESS OTHERWISE SPECIFIED ) |                       |  | MARL BUSINESS PARK, ULVERSTON, UK. LA12 9BN<br>Tel: +44 (0)1229 582 430. Web: www.leds.co.uk |
|--|-----------------------|---|--|
| DECIMALS   | ANGULAR               |   |  |
| .X $\pm .1$  | $X^\circ \pm 1^\circ$ |  | <b>TITLE:</b><br>STD PANEL MOUNT INDICATORS  |
| .XX $\pm .02$  |                       |   | <b>PART NO:</b><br>352 Series  |
| .XXX $\pm .010$                                      |                       |   | <b>SHEET #</b> 2 OF 3  |
| <b>Provisional</b>                                   |                       | CAD GENERATED DOCUMENT, DO NOT MEASURE DRAWING.                                       |  |

| Marl Part No. | Chip      |                  |                | Lens Appearance | Electro-Optical Data @ 20mA |        |     |          | Viewing Angle 2 Ø 1/2 (Deg) | LED P/N | Termination       |
|---------------|-----------|------------------|----------------|-----------------|-----------------------------|--------|-----|----------|-----------------------------|---------|-------------------|
|               | Material  | Peak Wave Length | Emitted Colour |                 | If (mA)                     | Vf (V) |     | Iv (mcd) |                             |         |                   |
|               |           |                  |                |                 |                             | MAX    | TYP |          |                             |         |                   |
| 352-520-04    | GaN/SiC   | 430              | BLUE           | DIFFUSED        | 25                          | 4      | 4.5 | 15       | 45                          | 520     | PINS              |
| 352-520-04-40 |           |                  |                |                 |                             |        |     |          |                             |         | 12IN FLYING LEADS |
| 352-512-04    | GaP/GaP   | 568              | GREEN          | TINTED          | 30                          | 2.1    | 2.8 | 40       | 35                          | 512     | PINS              |
| 352-512-04-40 |           |                  |                |                 |                             |        |     |          |                             |         | 12IN FLYING LEADS |
| 352-505-04    | GaP/GaP   | 700              | RED            | DIFFUSED        | 20                          | 2.1    | 2.8 | 2        | 45                          | 505     | PINS              |
| 352-505-04-40 |           |                  |                |                 |                             |        |     |          |                             |         | 12IN FLYING LEADS |
| 352-509-04    | GaAsP/GaP | 590              | YELLOW         | TINTED          | 30                          | 2      | 2.8 | 40       | 35                          | 509     | PINS              |
| 352-509-04-40 |           |                  |                |                 |                             |        |     |          |                             |         | 12IN FLYING LEADS |

|   |                    |   |
|---|--------------------|---|
| STANDARD TOLERANCE<br>( UNLESS OTHERWISE SPECIFIED )                                  |                    | <br>MARL BUSINESS PARK, ULVERSTON, UK. LA12 9BN<br>Tel: +44 (0)1229 582 430. Web: www.leds.co.uk |
| DECIMALS<br>.X ± .1<br>.XX ± .02<br>.XXX ± .010                                       | ANGULAR<br>X° ± 1° |   |
|  |                    | <b>TITLE:</b><br>STD PANEL MOUNT INDICATORS   |
| <b>Provisional</b>  |                    | <b>PART NO:</b> 352 Series  |
|   |                    | <b>SHEET # 3 OF 3</b>   |
| <small>CAD GENERATED DOCUMENT, DO NOT MEASURE DRAWING.</small>                        |                    |   |