

ED-18 Analog Output Series Magnetic Encoder



- Analog voltage or current output
- Low profile
- IP52 sealing
- Sleeve or ball bearing
- Excellent stability – no optic degradation
- Custom housings, shafts, connectors available in most cases with no additional tooling required

DESCRIPTION

The ED-18 Series Magnetic Encoder can be used as either a rotational feedback sensor or as a human machine interface (HMI) device. As a light duty feedback sensor it can provide rotation speed, direction or positioning information. The analog output provides absolute angular position information even when power is cycled on and off. As an HMI device it can be used as a rotary input control for use on instrumentation panels. The ED-18 Series is designed with our modular and flexible construction methods. We can customize housings, shafts and terminations to meet your exact specifications with little or no tooling costs.

FEATURES

- Magnetic sensing technology
- Encapsulated electronics/sealed unit
- Harsh environment compatibility
- Analog voltage and current output
- Low profile
- Consistent rotational torque
- Resistant to contamination
- IP52 sealing
- Metallic threaded bushing mounting
- Wide operational temperature range (-40°C to 85°C)
- Excellent stability – no optic degradation
- Sleeve or ball bearing
- Custom housings, shafts, connectors available in many cases with no additional tooling required

APPLICATIONS

- Marine, avionics motor speed and position control
- Marine steering
- Monitor pump speed and direction
- Camera position and control
- XY stage positioning
- Radio controls
- Medical diagnostic equipment
- Video and sound editing equipment
- Valve position
- Syringe pump
- Potentiometer replacement
- Throttle position control/feedback

ED-18 Analog Output Series Magnetic Encoder

PERFORMANCE SPECS ^(NOTE1)

Analog voltage output:

Parameters	ED-18-XX-0545-V-P
Standard output range 0 - 360°	0.5 Vdc to 4.5 Vdc
Supply current	15 mA
Operating voltage (Vcc)	5 Vdc
Resolution	1.4°
Accuracy	2.8°
Operating temperature	-40°C to +85°C

Analog current output:

Parameters	ED-18-XX-0420-I-P
Standard output range 0 - 360°	4.0 mA to 20.0 mA
Supply current	15 mA + output current loop
Operating voltage (Vcc)	12 Vdc to 26 Vdc
Resolution	1.4°
Accuracy	2.8°
Operating temperature	-40°C to +85°C

Bearing:

Parameters	ED-18-SB-XXXX-I-P / ED-18-SB-XXXX-V-P	ED-18-BB-XXXX-I-P / ED-18-BB-XXXX-V-P
Bearings	Sleeve	Ball
Maximum speed	300 RPM	3000 RPM
Bearing life	3,000,000 cycles	30,000,000 cycles

(NOTE1): All specifications are specified with Vcc @ Nominal input voltage, and Ambient Temperature 25 Degrees Celsius.

MECHANICAL

Parameters	ED-18-XX-XXXX-I-P / ED-18-XX-XXXX-V-P
Axial load (max)	20 N
Radial load (max)	10 N
Shaft end play axial (max)	0.13 mm
Shaft radial play (max)	0.25 mm (15.3 mm from thread)
Shaft push-in force	9 N
Shaft pull-out force	1.3 N
Run out (max)	0.25 mm (19 mm from thread)
Bushing mounting torque	1.1 Nm

ED-18 Analog Output Series Magnetic Encoder

DIMENSIONS

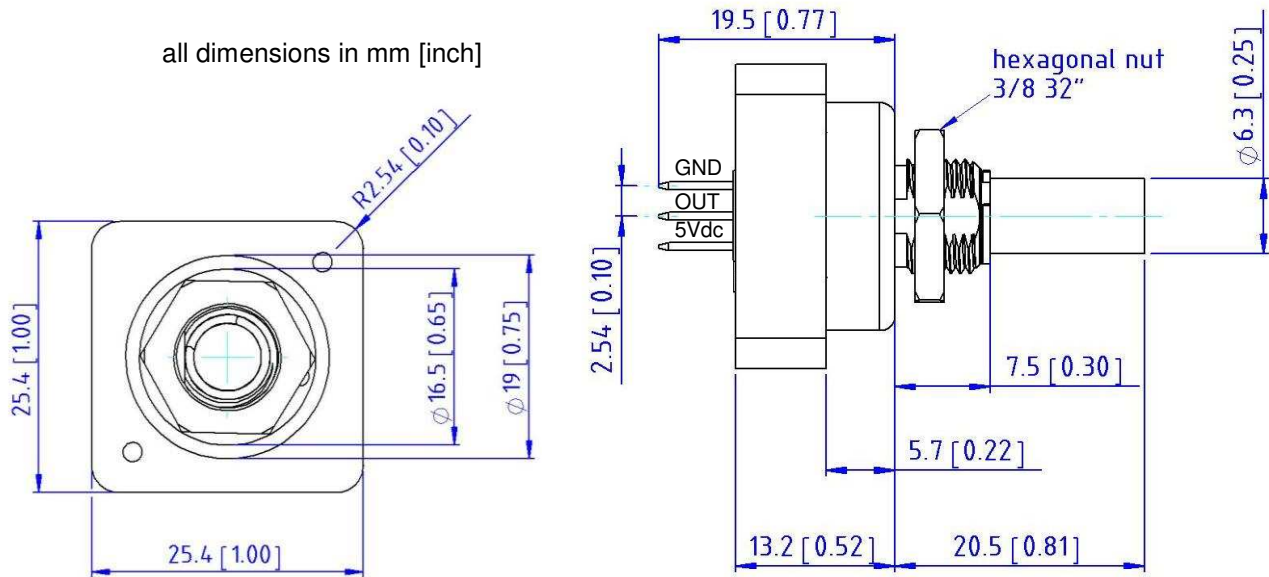


figure 1: Dimensions of the ED-18-SB-XXXX-X-X (top and side view)

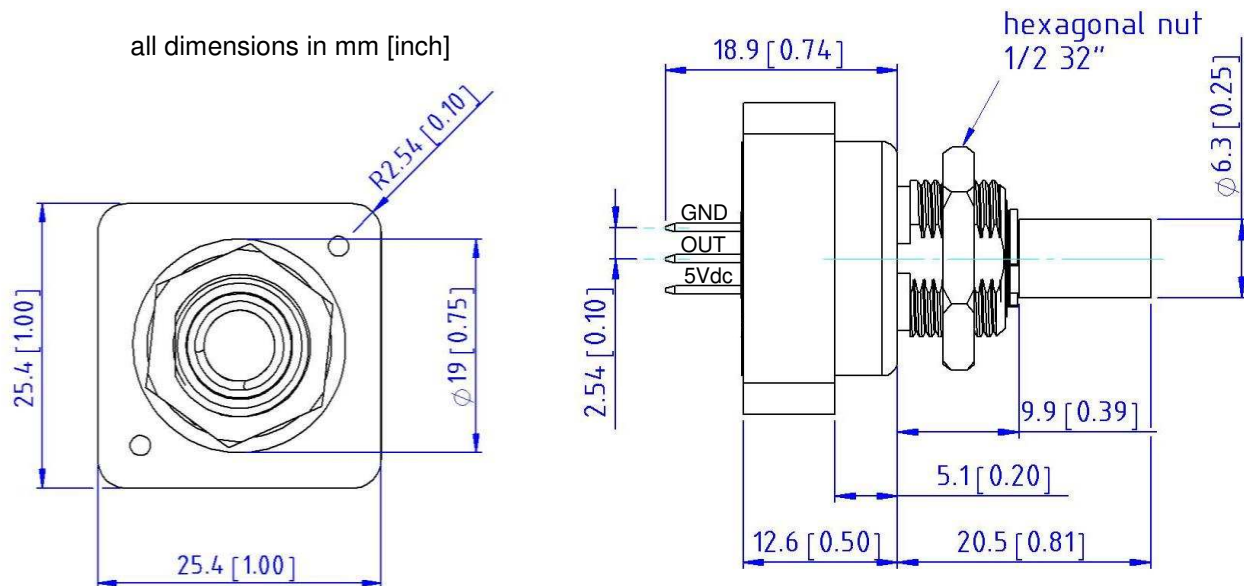


figure 2: Dimensions of the ED-18-BB-XXXX-X-X (top and side view)

ED-18 Analog Output Series Magnetic Encoder

PINNING

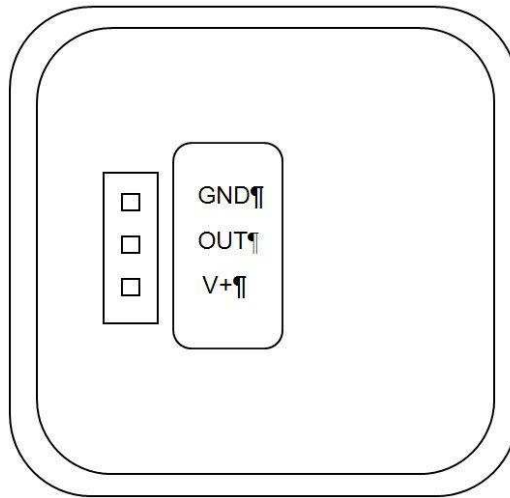


figure 3: Pinning of the ED-18-XX-XXXX-X-X (bottom view)

ED-18 Analog Output Series Magnetic Encoder

TYPICAL PERFORMANCE CURVES

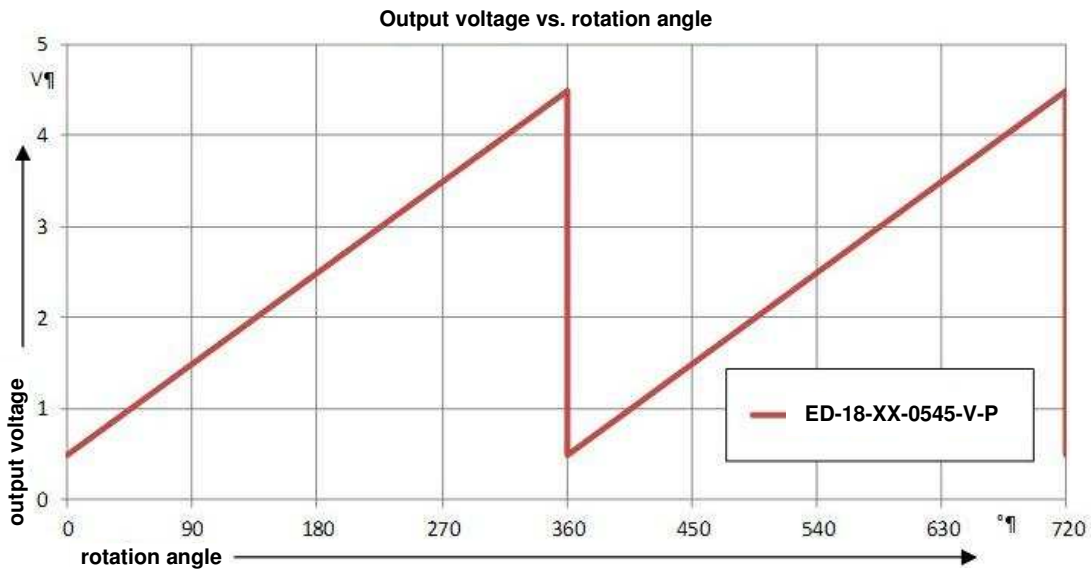


figure 4: Output voltage vs. rotation angle

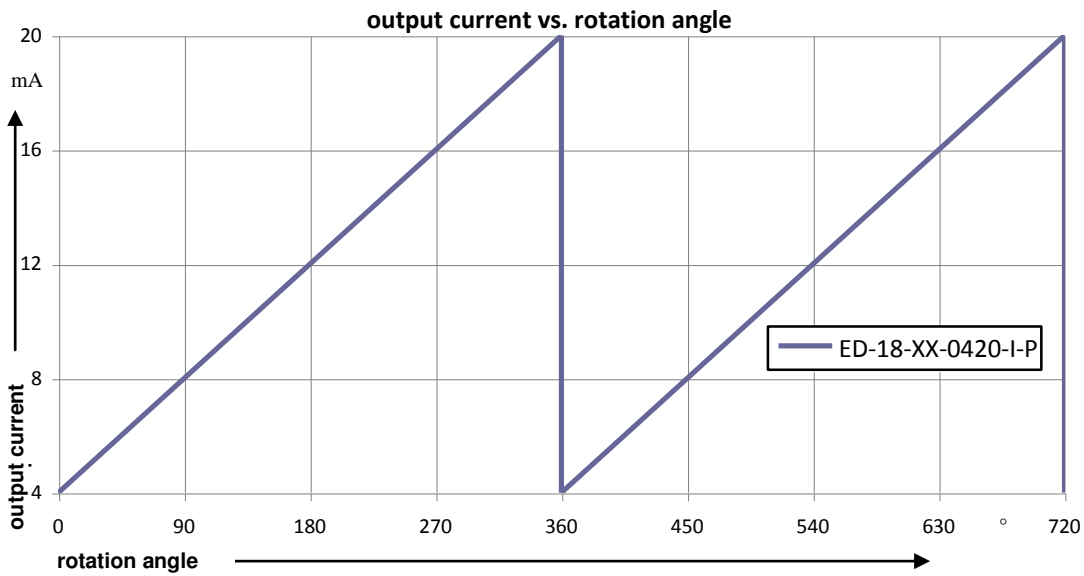


figure 5: Output current vs. rotation angle

ED-18 Analog Output Series Magnetic Encoder

ENVIRONMENTAL

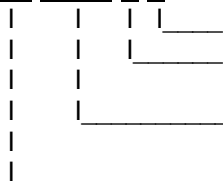
Vibration	MIL-STD-202F Method 204D Test Condition B
Shock	MIL-STD-202F Method 213B Test Condition C
Humidity	MIL-STD-202F Method 103B Test Condition A
Thermal Shock	MIL-STD-202F Method 107G Test Condition A
Operating Temperature	-40 to +85 °C
Storage Temperature	-55 to +125 °C

ED-18 Analog Output Series Magnetic Encoder

ORDERING INFORMATION

PART NUMBERING Model Number+Bearing+Range+Analog Output+Connection

ED-18-XX-XXXX-X-X



Connection
Analog Output
Output Range
Bearing

Options:
P = Pin header
V = Voltage
I = Current
0545 = 0.5 Vdc to 4.5 Vdc
0420 = 4 mA to 20 mA
SB = Sleeve Bearing
BB = Ball Bearing

Example: ED-18-SB-0545-V-P

Model ED-18, sleeve bearing, analog output voltage from 0.5 Vdc to 4.5 Vdc, pin header

NORTH AMERICA	EUROPE	ASIA
Measurement Specialties, Inc. 1000 Lucas Way Hampton, VA 23666 United States Phone: +1-800-745-8008 Fax: +1-757-766-4297 Email: sales@meas-spec.com Web: www.meas-spec.com	MEAS Deutschland GmbH Hauert 13 D-44227 Dortmund Germany Phone: +49-(0)231-9740-0 Fax: +49-(0)231-9740-20 Email: info.de@meas-spec.com Web: www.meas-spec.com	Measurement Specialties China Ltd. No. 26, Langshan Road High-tech Park (North) Nanshan District, Shenzhen 518057 China Phone: +86-755-33305088 Fax: +86-755-33305099 Email: info.cn@meas-spec.com Web: www.meas-spec.com

The information in this sheet has been carefully reviewed and is believed to be accurate; however, no responsibility is assumed for inaccuracies. Furthermore, this information does not convey to the purchaser of such devices any license under the patent rights to the manufacturer. Measurement Specialties, Inc. reserves the right to make changes without further notice to any product herein. Measurement Specialties, Inc. makes no warranty, representation or guarantee regarding the suitability of its product for any particular purpose, nor does Measurement Specialties, Inc. assume any liability arising out of the application or use of any product or circuit and specifically disclaims any and all liability, including without limitation consequential or incidental damages. Typical parameters can and do vary in different applications. All operating parameters must be validated for each customer application by customer's technical experts. Measurement Specialties, Inc. does not convey any license under its patent rights nor the rights of others.