

MSP100 Pressure Transducer



- OEM Applications
- Small Size
- Quick Port Connection
- Low Cost

DESCRIPTION

The MSP100 series pressure transducers from the Microfused™ line of MEAS, provides stainless steel media compatibility for the price of competing plastic sensors. This sensor has no silicone gel or polymeric media isolation methods to fail in contact with water or other harsh chemicals. The all metal diaphragm design is immune to pressure fluctuations and subsequent damage. The all-metal pressure enclosure has a small round plastic housing and is available with a cable and connector. Pressure connections are provided via an O-ring seal. Both compensated/calibrated and uncompensated versions are available. High volume port options are customer specific. The small size vs. performance and media compatibility are provided through solid-state Microfused™ technology.

FEATURES

- Single Piece Construction; No Welds, No O-Rings, No Oil
- 100% 316L Stainless Steel Isolation for Harsh Chemical Measurement
- Cable/Connector Versions Standard Contact Factory for PCB Mountable Versions
- Low Cost, High Volume
- Custom Seal Designs Available
- Drinking Water or Beverage Safe
- Calibrated 0-20mV/V (Ratiometric) Output
- Features Microfused™ Technology

APPLICATIONS

- Beverage Dispensing Systems
- Severe Pressure Cycle Applications
- Ink Jet & Paint Spraying Systems
- Liquid Dispensing
- High Volume Custom Pressure/ Flow Systems

STANDARD RANGES

Range	psig
0 to 100	•
0 to 250	•
0 to 500	•

MSP100 Pressure Transducer

PERFORMANCE SPECIFICATIONS

Supply Voltage: 5.0V, Ambient Temperature: 25°C (unless otherwise specified)

PARAMETERS	MIN	TYP	MAX	UNITS	NOTES
Supply Voltage	2.5	5.0	12	Vdc	
Supply Current			2	mA	2
Zero Offset Tolerance	-2		2	%F.S.	1
Span Tolerance	-2		2	%F.S.	1
Accuracy (combined non linearity, hysteresis, and repeatability)	-0.5	±0.2	0.5	%Span	3
Long Term Stability (1 year)		0.25		%Span	
Maximum Resistance Between Transducer & Body	50			MΩ @ 250Vdc	
Temperature Error – Zero	-2		2	%Span	1
Temperature Error – Span	-2		2	%Span	1
Compensated Temperature	0		45	°C	
Operating Temperature	0		55	°C	
Storage Temperature	-40		+125	°C	
Pressure Cycles (Zero to Full Scale)	10			Million	
Pressure Overload		1.5X		Rated	
Burst Pressure		3X		Rated	
Response Time		0.1	1	mS	
Vibration	±20g MIL-STD-810C, Procedure 514.2, Figure 514.2-2, Curve L				
Shock	50g, 11 msec half sine shock per mil standard 202F. Method 213B, Condition A				

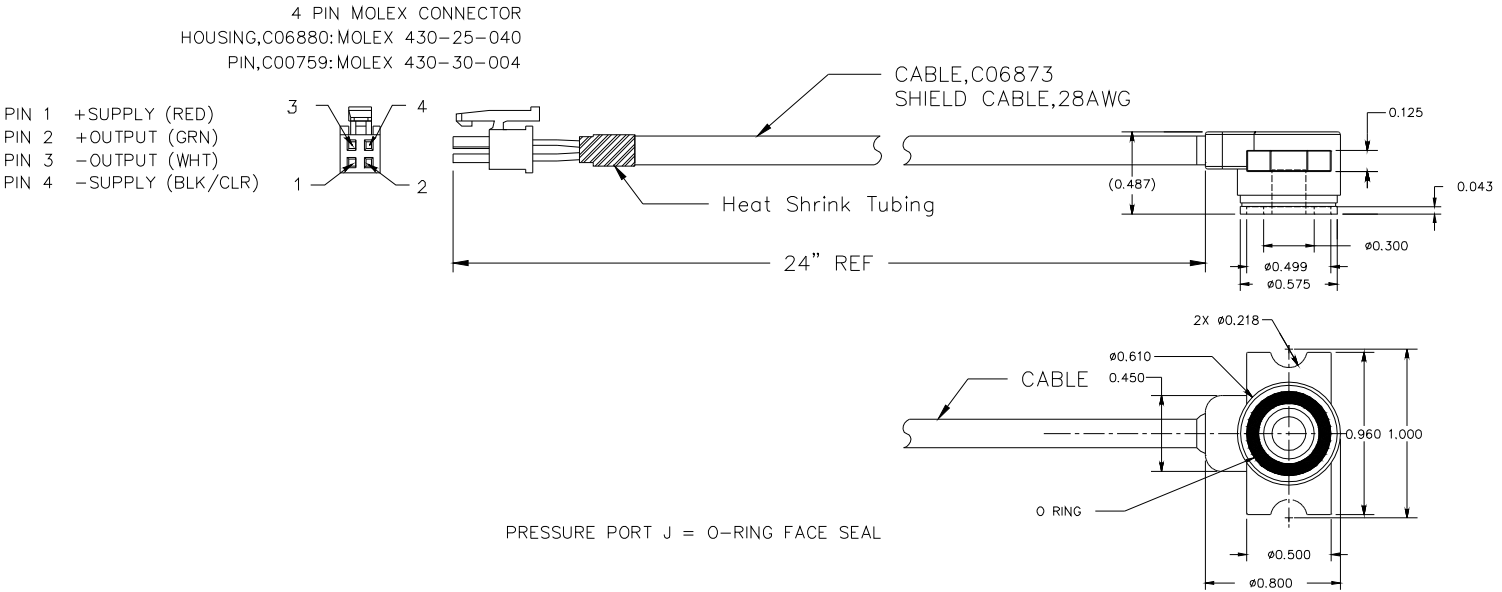
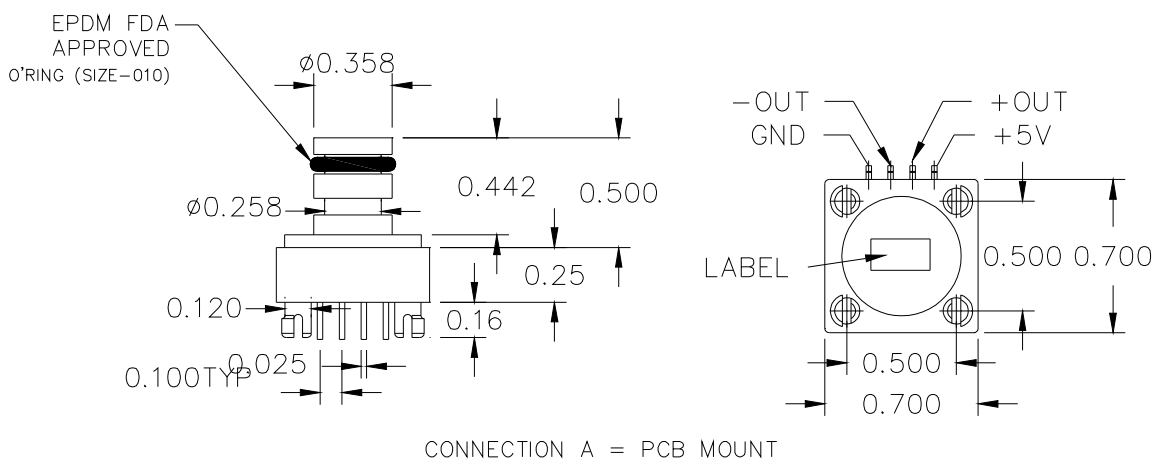
For custom configurations, consult factory.

Notes

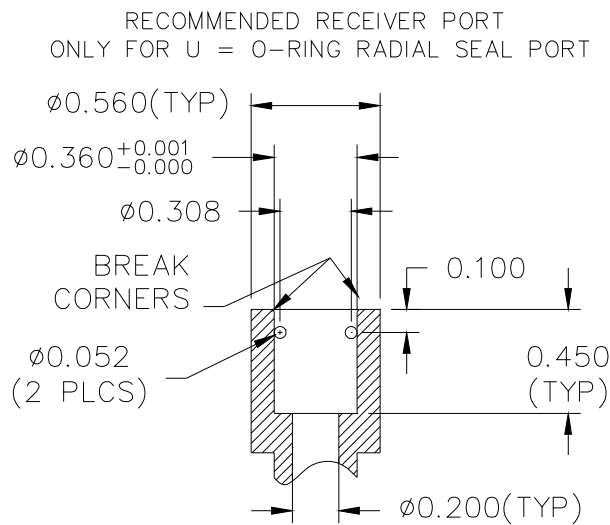
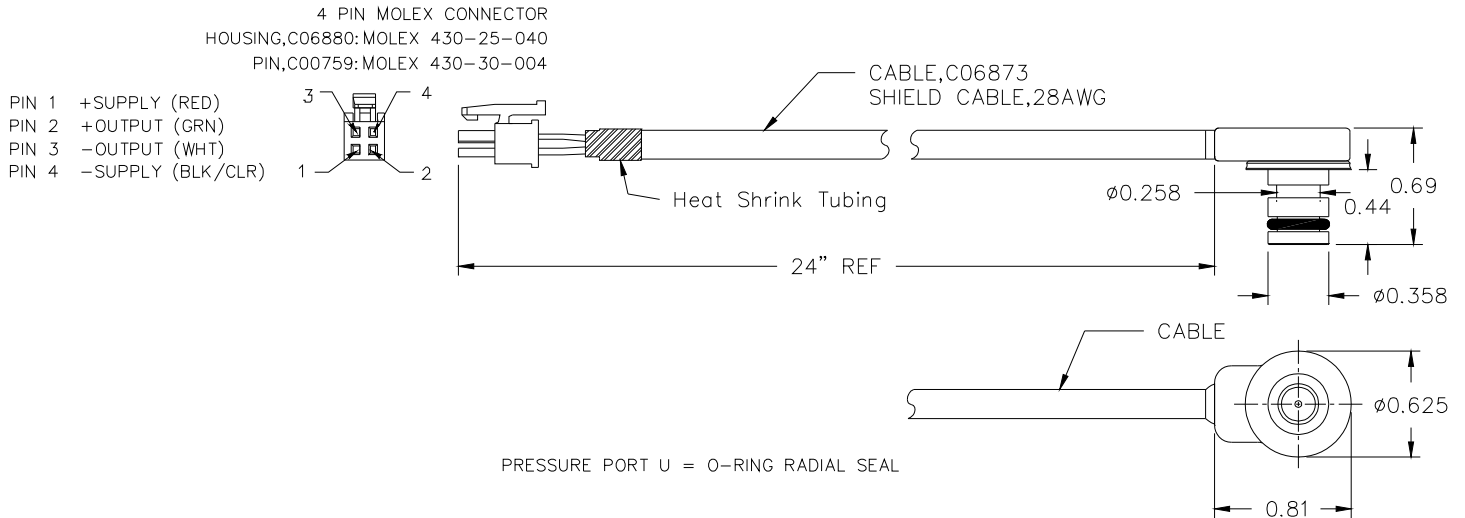
1. Output loading mV output products will change zero, span and thermal errors (keep min. to 100K Ω).
2. Ratiometric with supply.
3. Best fit straight line.

MSP100 Pressure Transducer

DIMENSIONS



MSP100 Pressure Transducer



DESIGNED TO SEAL WITH -010
FOOD GRADE VITON O-RING

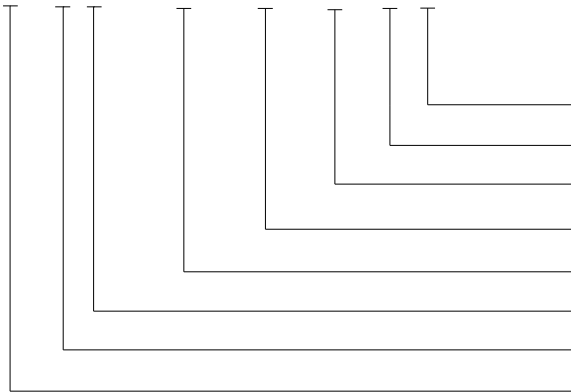
MSP100 Pressure Transducer

OUTPUT OPTIONS

Code	Output	Supply(V)		
		MIN	TYP	MAX
2	0 – 20mV/V (ratiometric)	2.5	5	12

ORDERING INFORMATION

MS121-00000U-100PG



Type (G = Gage)
 Units (P = psi)
 Pressure Range (100 , 250, 500)
 Pressure Port (J = O-Ring Face Seal, U = O-Ring Radial Seal)
 Specials (nnnnn = Custom Design)
 Connection (1 = 2ft Cable, A = PCB Mount)
 Output (2 = 0 - 20mV/V)
 Model

NORTH AMERICA

Measurement Specialties
 45738 Northport Loop West
 Fremont, CA 94538
 Tel: 1-800-767-1888
 Fax: 1-510-498-1578
 Sales: pfg.cs.amer@meas-spec.com

EUROPE

Measurement Specialties
 (Europe), Ltd.
 26 Rue des Dames
 78340 Les Clayes-sous-Bois, France
 Tel: +33 (0) 130 79 33 00
 Fax: +33 (0) 134 81 03 59
 Sales: pfg.cs.emea@meas-spec.com

ASIA

Measurement Specialties
 (China), Ltd.
 No. 26 Langshan Road
 Shenzhen High-Tech Park (North)
 Nanshan District, Shenzhen 518057
 China
 Tel: +86 755 3330 5088
 Fax: +86 755 3330 5099
 Sales: pfg.cs.asia@meas-spec.com

The information in this sheet has been carefully reviewed and is believed to be accurate; however, no responsibility is assumed for inaccuracies. Furthermore, this information does not convey to the purchaser of such devices any license under the patent rights to the manufacturer. Measurement Specialties, Inc. reserves the right to make changes without further notice to any product herein. Measurement Specialties, Inc. makes no warranty, representation or guarantee regarding the suitability of its product for any particular purpose, nor does Measurement Specialties, Inc. assume any liability arising out of the application or use of any product or circuit and specifically disclaims any and all liability, including without limitation consequential or incidental damages. Typical parameters can and do vary in different applications. All operating parameters must be validated for each customer application by customer's technical experts. Measurement Specialties, Inc. does not convey any license under its patent rights nor the rights of others.