

TSEV01S01C05

✓RoHS



- Contact less Temperature Measurement
- Small Size
- Heat Spreader improves Accuracy
- Wide Supply Voltage Range
- Digital Interface Bus (SPI)
- Connector
- Small Field of View
- Improved constancy of output signal over distance

DESCRIPTION

The TSEV01S01C05 is a contact-less temperature measuring system for OEM use based on the detection of infrared radiation.

The TSEV01S01C05 is equipped with an infrared sensor (Thermopile) in front. The Thermopile Sensor has to be pointed at the target object.

The basic working principle is:

- Detection of infrared radiation with a Thermopile sensor, which turns incoming radiation to an analogue voltage
- Determination of sensor temperature using a thermistor
- Calculation of ambient and object temperature using a processing unit
- Providing the ambient and objects temperature at digital output bus (SPI)

The thermopile sensor module is suitable for a wide range of application where non-contact temperature measurement and high accuracy are required.

FEATURES

0°C – 300°C Measurement Range
 Small Size
 Up to 2°C Accuracy
 2mA Current Consumption
 Improved constancy of output signal over distance

APPLICATIONS

Contact less Temperature Measurement
 Climate Control
 Industrial Process Control
 Household Applications

TSEV01S01C05

ABSOLUTE MAXIMUM RATINGS

Absolute maximum ratings are limiting values of permitted operation and should never be exceeded under the worst possible conditions either initially or consequently. If exceeded by even the smallest amount, instantaneous catastrophic failure can occur. And even if the device continues to operate satisfactorily, its life may be considerably shortened.

Parameter	Symbol	Conditions	Min	Typ	Max	Unit
Supply Voltage	Vccmax	Stabilized supply voltage	-0.3		+16	V
Operating Temperature	Topmax		-10		+85	°C
Storage temperature	Tstor		-40		+85	°C
Humidity	HumL	-40°C - +50°C			85	%
Humidity	HumH	+50°C - +85°C			50	%

OPERATING CONDITIONS

Parameter	Symbol	Conditions	Min	Typ	Max	Unit
Supply Voltage	Vcc	Stabilized supply voltage	+3.3		+16	V
Operating Temperature Range	Top		-10		+85	°C
Emission Coefficient	ϵ		0.98			

SENSOR CONDITIONS

Parameter	Symbol	Conditions	Min	Typ	Max	Unit
Field of View	FOV 10	Total field of view at 10% signal level		8		°
Field of View	FOV 50	Total field of view at 50% signal level		5		°
Wavelength Range	S		Silicon, no coating			μm

OPERATIONAL CHARACTERISTICS

If not otherwise noted, 5V supply voltage and object with $\epsilon = 0.98$ were applied.

Parameter	Symbol	Conditions	Min	Typ	Max	Unit
Object Temperature Range	Tobj		0		300	°C
Resolution	Res				0.1	°C
Supply Current ¹⁾	I	No output load		2		mA
Data Output Rate	Fout			1		Hz
Standard Start-Up Time	tStart				3	s

TOLERANCES

If not otherwise noted, 5V supply voltage and object with $\epsilon = 0.98$ were applied.

Parameter	Symbol	Sensor Temp.	Object Temp.	Max	Unit
Standard Temp ¹⁾³⁾	AccS	$15 < T_{\text{sen}} < 35$	$160 < T_{\text{obj}} < 200$	2	°C
Extended Temp. 1 ²⁾³⁾	AccE1	$T_{\text{sen}} < 15, T_{\text{sen}} > 35$	$160 < T_{\text{obj}} < 200$	3	°C
Extended Temp. 2 ²⁾³⁾	AccE2	$15 < T_{\text{sen}} < 35$	$T_{\text{obj}} < 160, T_{\text{obj}} > 200$	3	°C
Extended Temp. 3 ²⁾³⁾	AccE3	$T_{\text{sen}} < 15, T_{\text{sen}} > 35$	$T_{\text{obj}} < 160, T_{\text{obj}} > 200$	4	°C

OTHER TEMPERATURE RANGES AND ACCURACIES ARE AVAILABLE ON REQUEST.

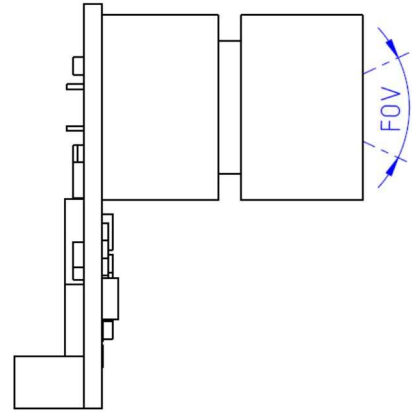
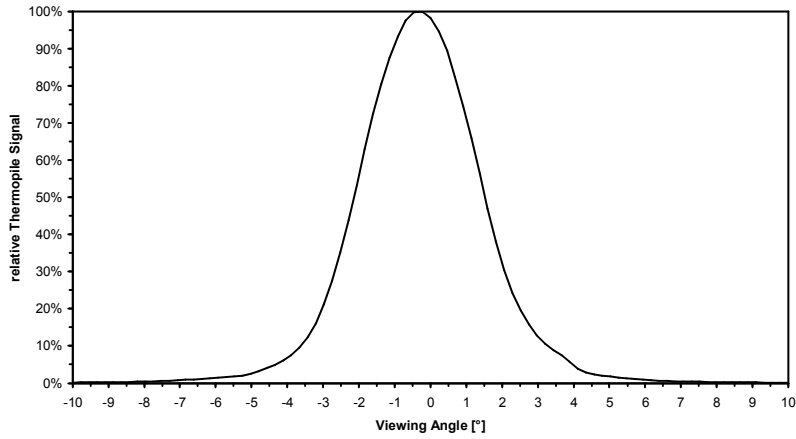
¹⁾ Proved while production

²⁾ Proved by design

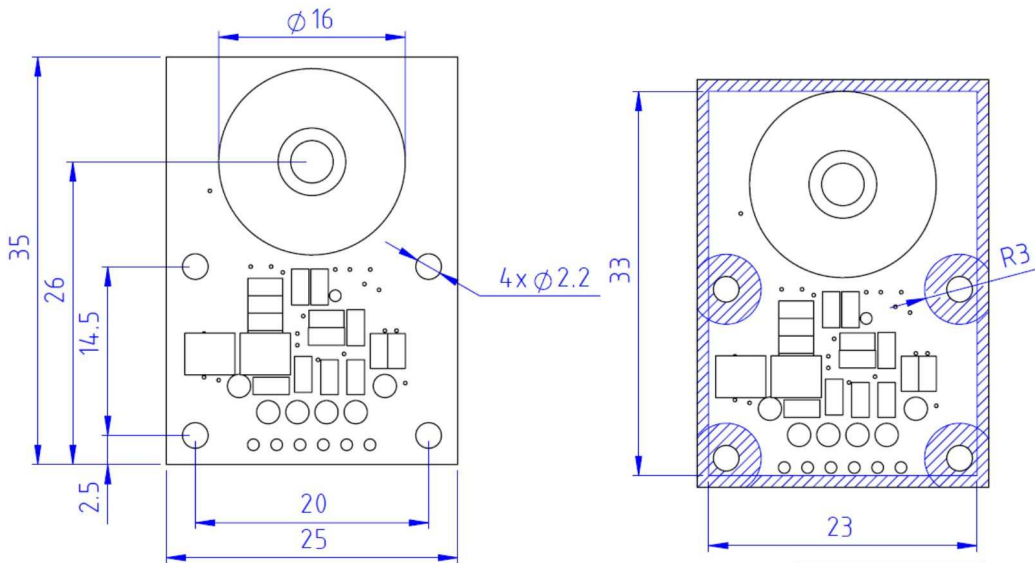
³⁾ Valid for a distance of 100mm and black body size of 150mm x 150mm

TSEV01S01C05

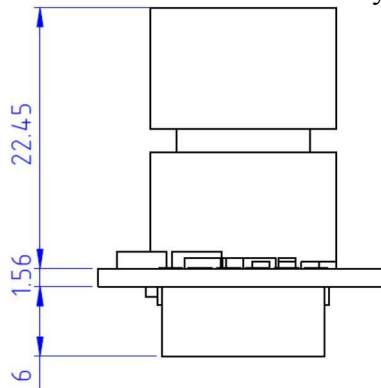
SENSOR FIELD OF VIEW



MECHANICAL DIMENSIONS



Only use hatched areas for mechanical assembly (screws, nuts, etc).

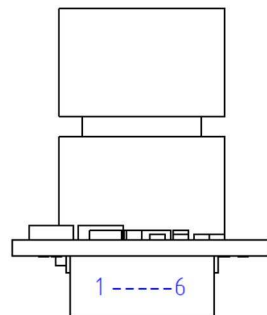


TSEV01S01C05

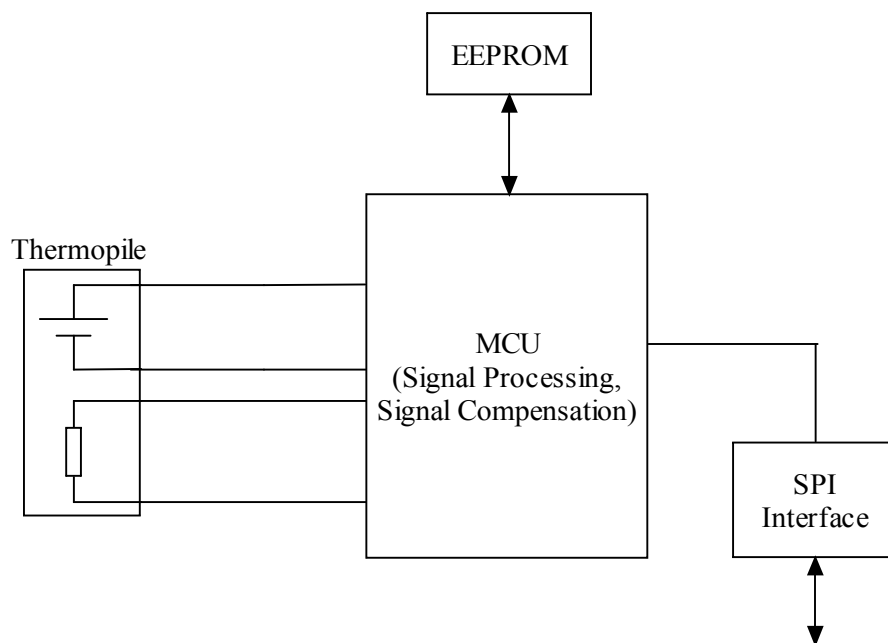
TERMINALS

Connector: JST PHR-6

Pin	Name	Description	Type
1	VDD	Supply Voltage	Supply
2	GND	Ground	Supply
3	SCL	SPI Clock	Interface
4	MISO	SPI Master In /	Interface
5	MOSI	SPI Master Out /	Interface
6	SCE	SPI Chip Enable	Interface



BLOCK DIAGRAM



TSEV01S01C05

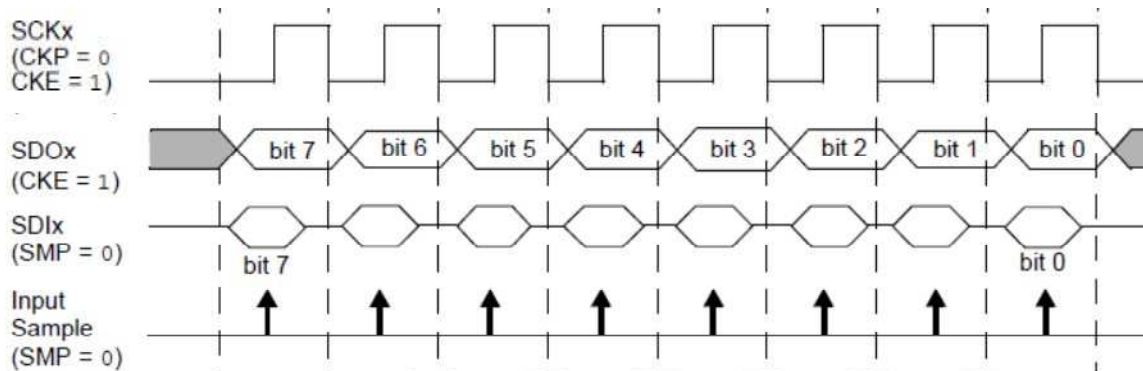
INTERFACE

PARAMETER

Parameter	Symbol	Conditions	Min	Typ	Max	Unit
Baudrate	FSPi		10		100	kHz
Data Bits				8		
Chip Select				Yes		
Input Voltage Low					0.9	V
Input Voltage High		Vcc = 3.3V	2.1			V
Output Voltage Low		1mA			0.3	V
Output Voltage High		Vcc = 3.3V, 1mA	3.0			V

SIGNAL DESCRIPTION

- SCE (Chip Select) 0 = Enable, 1 = Disable
- CKP 0
- CKE 1



SAMPLE CODE

Sample Code for sending 8 bits and reading 8 bits while sending 8 clocks.

```
// Setting directions
TRISC4 = 1; // SDI = Input
TRISC5 = 0; // SDO = Output
TRISC3 = 0; // SCL = Output

// Reset SPI Lines
RC5 = 0; // SDO
RC3 = 0; // SCL

for (c = 0; c < 8; c++)
{
    cReceive = cReceive << 1; // Shift Receive Register
    RC3 = 0; // SCL = 0
    RC5 = (cTransmit >> (7 - c)); // Output next Bit on SDO
    RC3 = 1; // SCL = 1
    cReceive = cReceive | RC4; // Input next Bit on SDI
}

RC3 = 0;
RC5 = 0;

return cReceive;
```

TSEV01S01C05

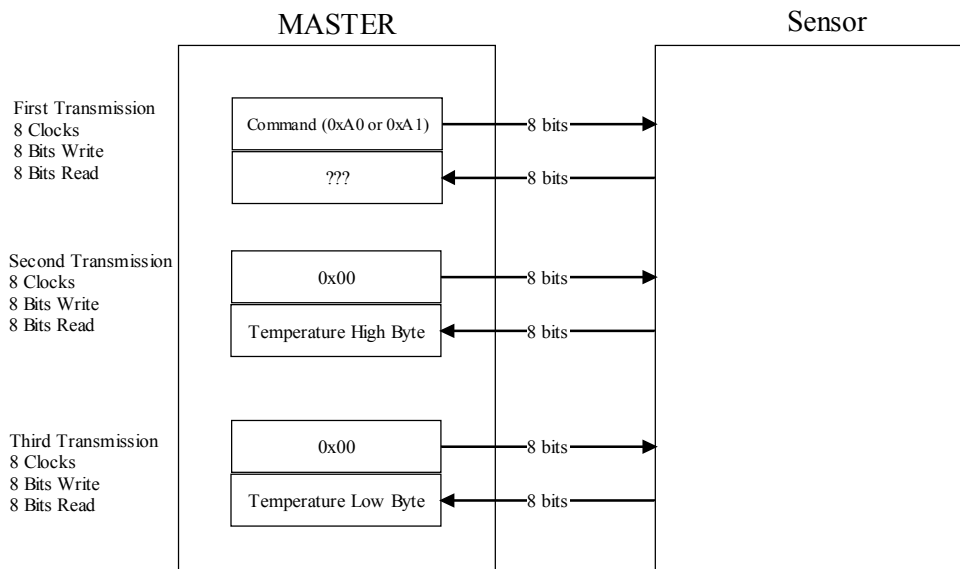
AMBIENT AND OBJECT TEMPERATURE MEASUREMENT

Please refer following table for SPI commands to read object temperature and ambient temperature. Both values are transmitted in hundredth of degrees.

Com	Description	Reply	Bytes
0xA0	Sensor Temperature	Sensor temperature in hundredth of degrees Celsius	2
0xA1	Object Temperature	Object temperature in hundredth of degrees Celsius	2

SEQUENCE OF TRANSMISSION

Enable SCE (SCE=0) before transmission of "Command". Release SCE (SCE=1) after reading last byte.



EXAMPLE OF TEMPERATURE CALCULATION

For reading object temperature send: 0xA1

Return values i.e.:

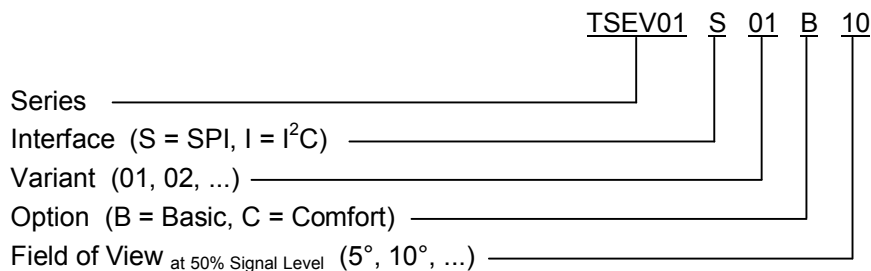
Byte(0) = ??? discard reading

Byte(1) = 0x1A (=26)

Byte(2) = 0xB0 (=176)

$T_{obj} = (256 * \text{Byte}(1) + \text{Byte}(2)) / 100 = (256 * 26 + 176) / 100 = 68.32^{\circ}\text{C}$

NAMING CONVENTION



TSEV01S01C05

ORDER INFORMATION

Please order this product using following:

Part Number	Part Description
G-TPMO-025	TSEV01S01C05

EMC

Due to the use of these modules for OEM application no CE declaration is done.

Especially line coupled disturbances like surge, burst, HF etc. cannot be removed by the module due to the small board area and low price feature. There is no protection circuit against reverse polarity or over voltage implemented.

The module will be designed using capacitors for blocking and ground plane areas in order to prevent wireless coupled disturbances as good as possible.

DEFINITIONS AND DISCLAIMERS

- Application information – Applications that are described herein for any of these products are for illustrative purpose only. MEAS Deutschland GmbH makes no representation or warranty that such applications will be suitable for the specified use without further testing or modification.
- Life support applications – These products are not designed for use in life support appliances, devices, or systems where malfunctions of these products can reasonably be expected to result in personal injury.
MEAS Deutschland GmbH customers using or selling this product for use in such applications do so at their own risk and agree to fully indemnify MEAS Deutschland GmbH for any damages resulting from such improper use or sale.

TECHNICAL CONTACT INFORMATION

NORTH AMERICA	EUROPE	ASIA
Measurement Specialties, Inc. 1000 Lucas Way Hampton, VA 23666 United States Phone: +1-800-745-8008 Fax: +1-757-766-4297 Email: sales@meas-spec.com Web: www.meas-spec.com	MEAS Deutschland GmbH Hauert 13 D-44227 Dortmund Germany Phone: +49-(0)231-9740-0 Fax: +49-(0)231-9740-20 Email: info.de@meas-spec.com Web: www.meas-spec.com	Measurement Specialties China Ltd. No. 26, Langshan Road High-tech Park (North) Nanshan District, Shenzhen 518057 China Phone: +86-755-33305088 Fax: +86-755-33305099 Email: info.cn@meas-spec.com Web: www.meas-spec.com

The information in this sheet has been carefully reviewed and is believed to be accurate; however, no responsibility is assumed for inaccuracies. Furthermore, this information does not convey to the purchaser of such devices any license under the patent rights to the manufacturer. Measurement Specialties, Inc. reserves the right to make changes without further notice to any product herein. Measurement Specialties, Inc. makes no warranty, representation or guarantee regarding the suitability of its product for any particular purpose, nor does Measurement Specialties, Inc. assume any liability arising out of the application or use of any product or circuit and specifically disclaims any and all liability, including without limitation consequential or incidental damages. Typical parameters can and do vary in different applications. All operating parameters must be validated for each customer application by customer's technical experts. Measurement Specialties, Inc. does not convey any license under its patent rights nor the rights of others.