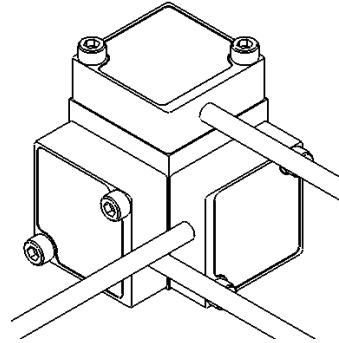
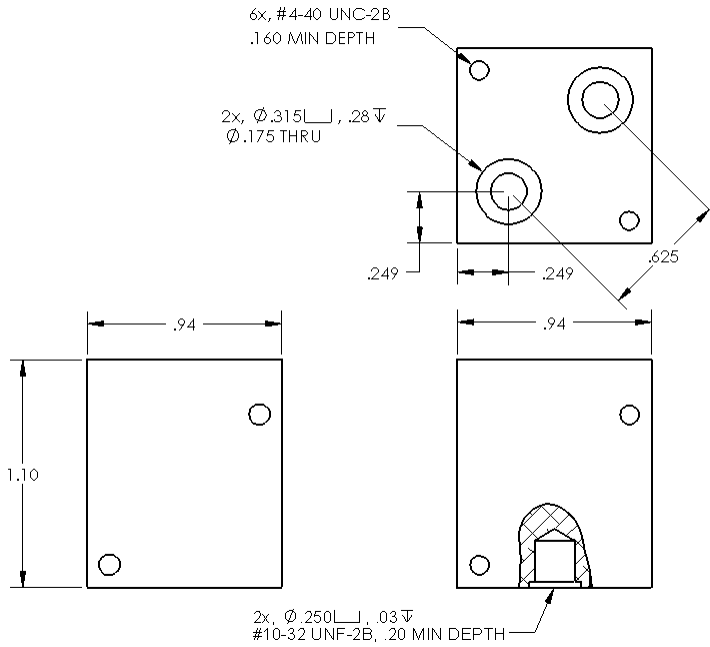


Triaxial Mounting Blocks

Model: AC-D02652

Used with Accelerometers: 4000A, 4001A, 4002, 4807A

Material: Aluminum, Anodized



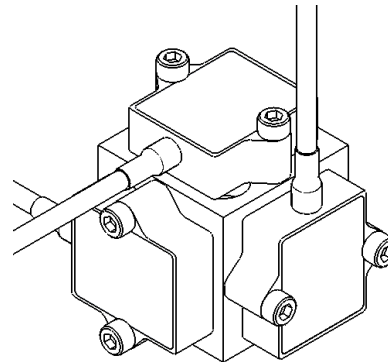
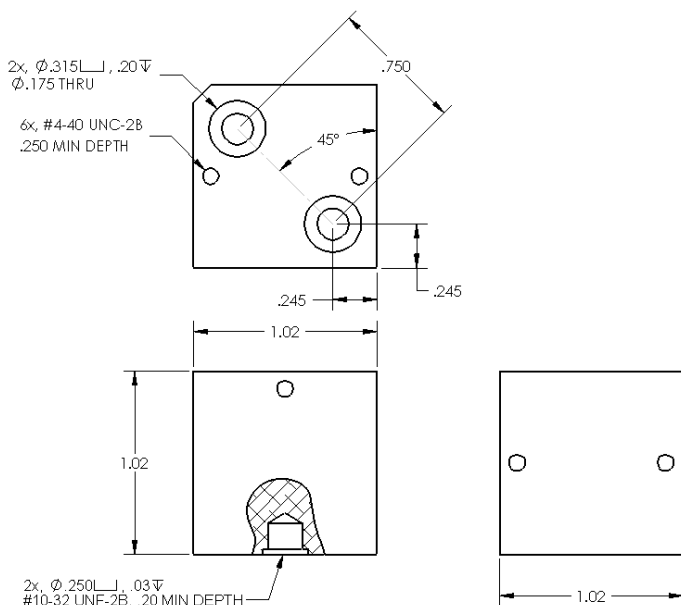
Mounting screws supplied with the triaxial block.

- M4x0.7, 25mm length (2pcs)
- #8-36, 1.0inch length (2pcs)

Model: AC-D02669

Used with Accelerometers: 201, 4600, 4602, 4604, 4605, 4610, 4810A

Material: Aluminum, Anodized

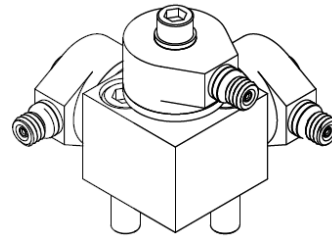
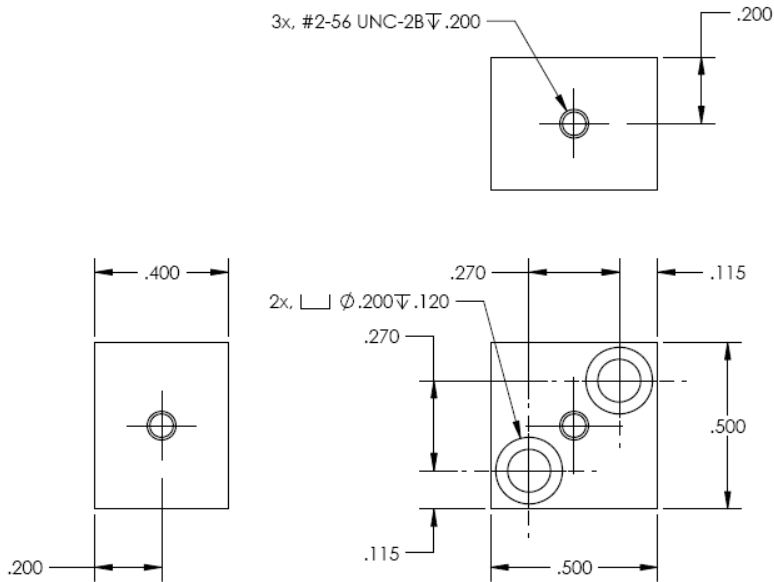


Mounting screws supplied with the triaxial block.

- M4x0.7, 25mm length (2pcs)
- #8-36, 1.0inch length (2pcs)

Triaxial Mounting Blocks

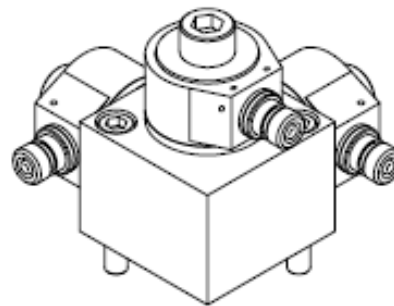
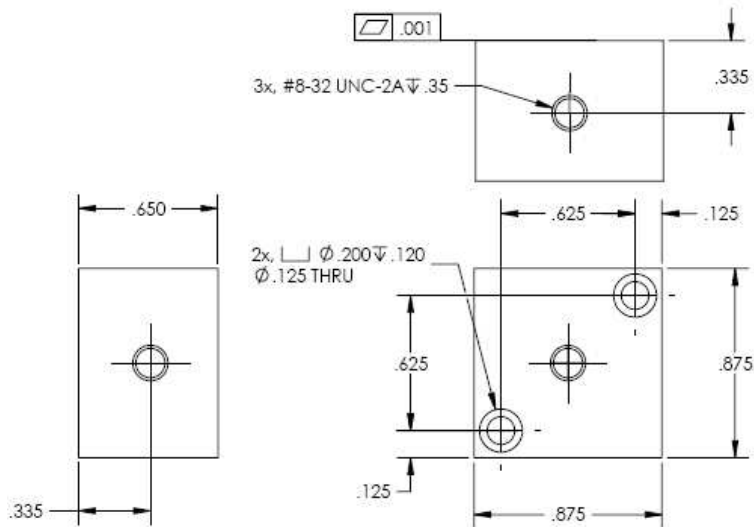
Model: AC-A04018
Used with Accelerometers: 7101A, 7501A
Material: Aluminum, Anodized



Mounting screws supplied with the triaxial block.

- M3x0.5, 14mm length (2pcs)
- #4-40, 1/2 inch length (2pcs)

Model: AC-A03389
Used with Accelerometers: 7100A, 7500A
Material: Aluminum, Anodized

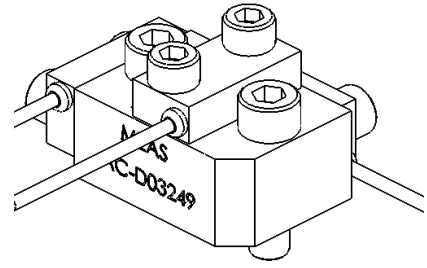
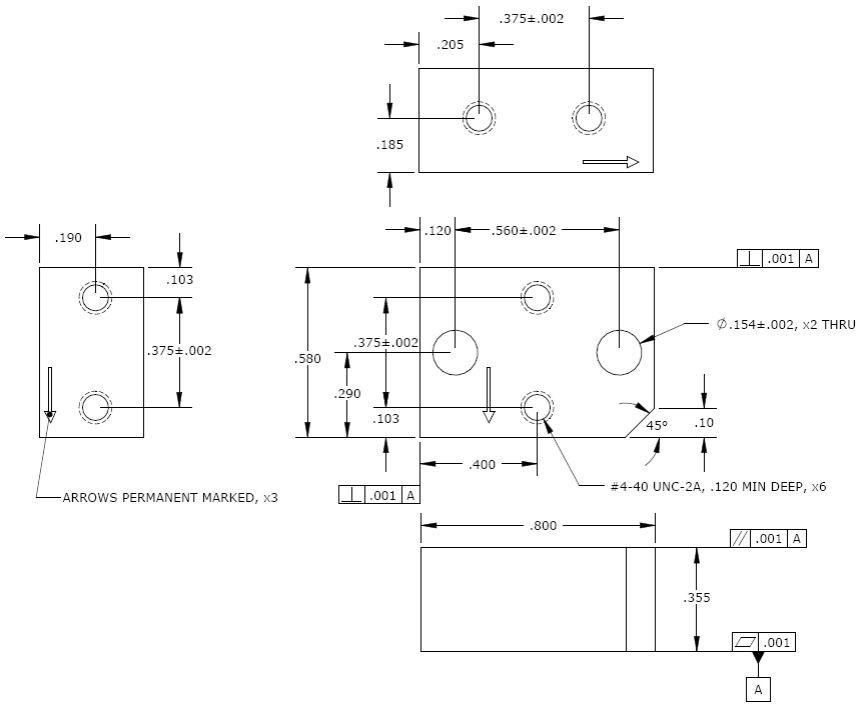


Mounting screws supplied with the triaxial block.

- M3x0.5, 20mm length (2pcs)
- #4-40, 3/4 inch length (2pcs)

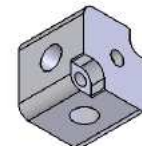
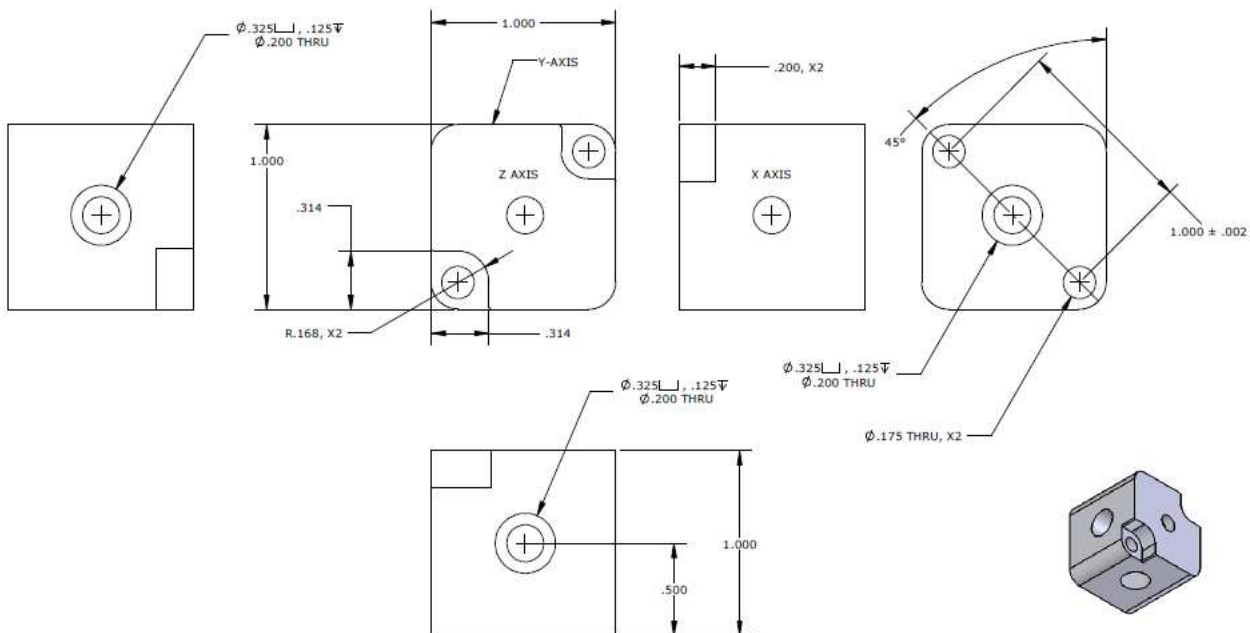
Triaxial Mounting Blocks

Model: AC-D03249
Used with Accelerometers: 3700, 3701
Material: Titanium



Mounting screws supplied with the triaxial block.
 - #6-32, 1/2 inch length (2pcs)

Model: AC-D04716
Used with Accelerometers: 3801A, 4801A, 7114A, 7514A
Material: Aluminum, Anodized



Triaxial Mounting Blocks

Model: MTG-A1 & MTG-A1M

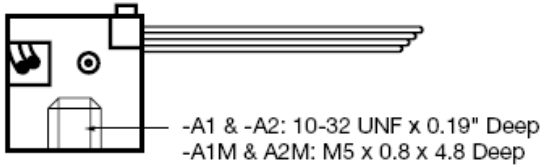
Used with Accelerometers: EGA, EGAX, EGAXT-500 to -2500

Material: Stainless Steel



MTG-A1 & -A1M: 12.7 (.50") x 12.7 (.50") x 12.7 (.50")
 MTG-A2 & -A2M: 13.6 (.535") x 13.6 (.535") x 13.6 (.535")

Shown here with
3 EGA
Accelerometers
mounted

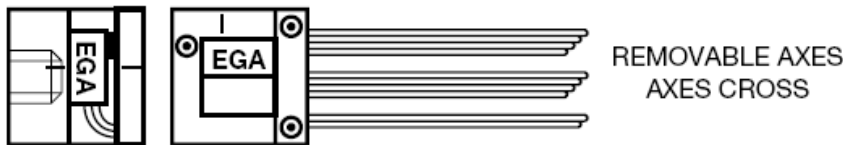


-A1 & -A2: 10-32 UNF x 0.19" Deep
 -A1M & A2M: M5 x 0.8 x 4.8 Deep

Model: MTG-A2 & MTG-A2M

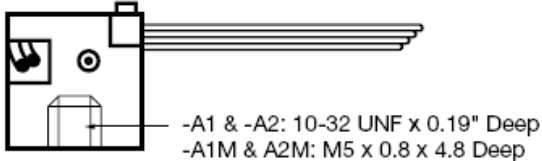
Used with Accelerometers: EGA, EGAX, EGAXT-5 to -250

Material: Stainless Steel



MTG-A1 & -A1M: 12.7 (.50") x 12.7 (.50") x 12.7 (.50")
 MTG-A2 & -A2M: 13.6 (.535") x 13.6 (.535") x 13.6 (.535")

Shown here with
3 EGA
Accelerometers
mounted



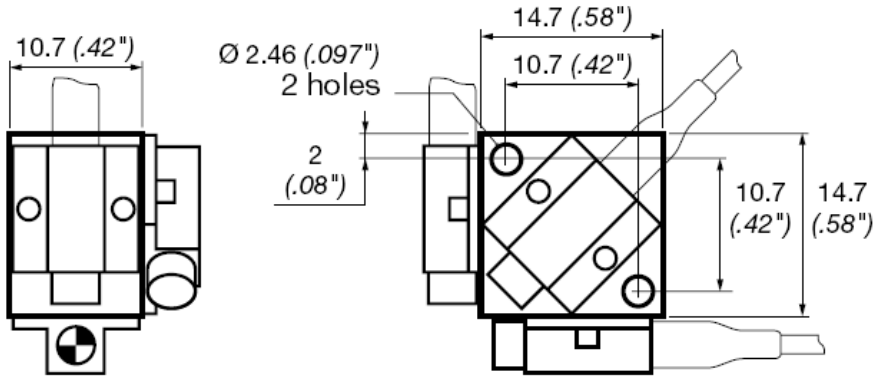
-A1 & -A2: 10-32 UNF x 0.19" Deep
 -A1M & A2M: M5 x 0.8 x 4.8 Deep

Triaxial Mounting Blocks

Model: MTG-E2

Used with Accelerometers: 40A, 64, 64C, 64D

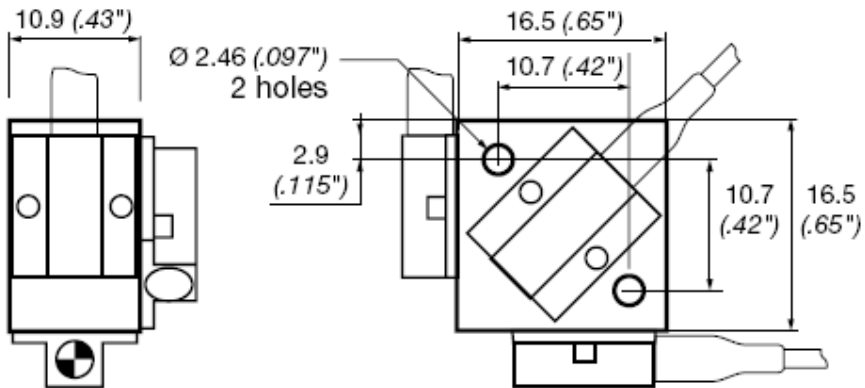
Material: Aluminum, Anodized



Model: MTG-E4

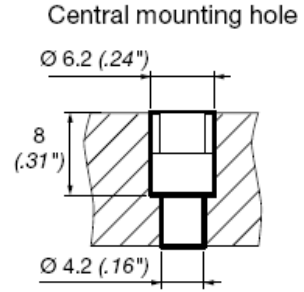
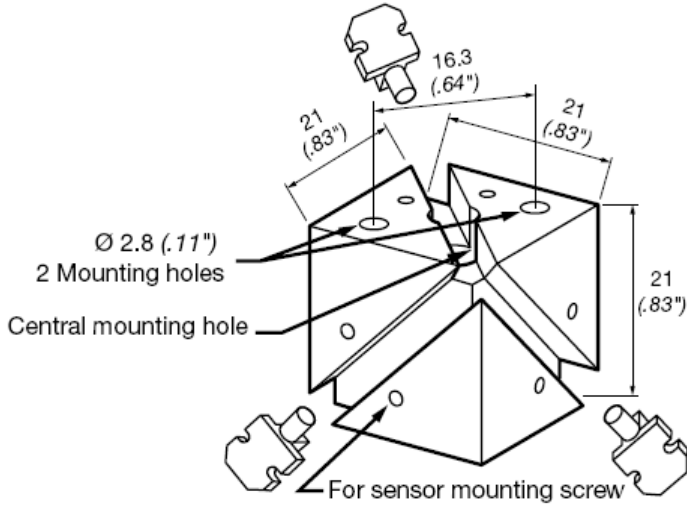
Used with Accelerometers: 40B, 64B

Material: Aluminum, Anodized

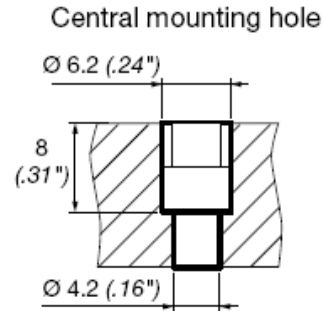
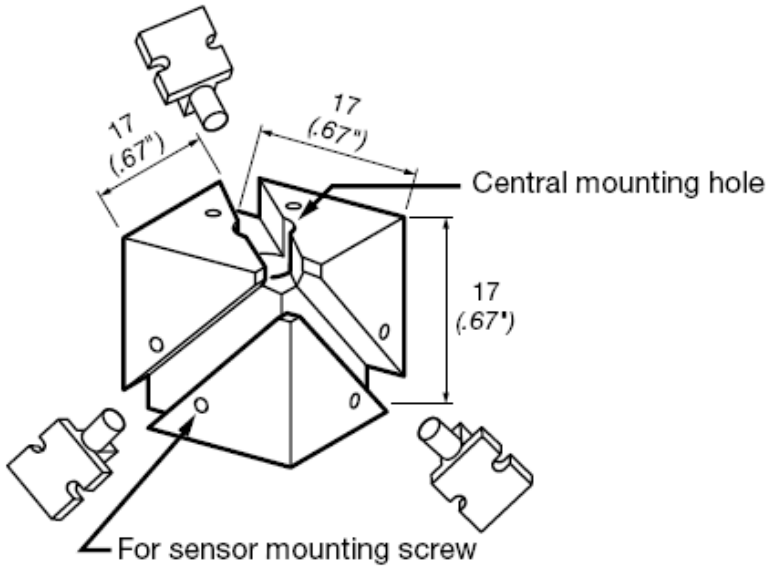


Triaxial Mounting Blocks

Model: MTG-F2
Used with Accelerometers: EGAS-FS & EGAS-FT
Material: Aluminum, Anodized

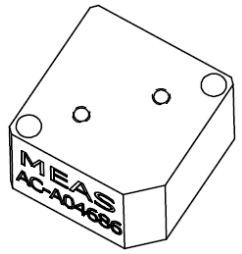
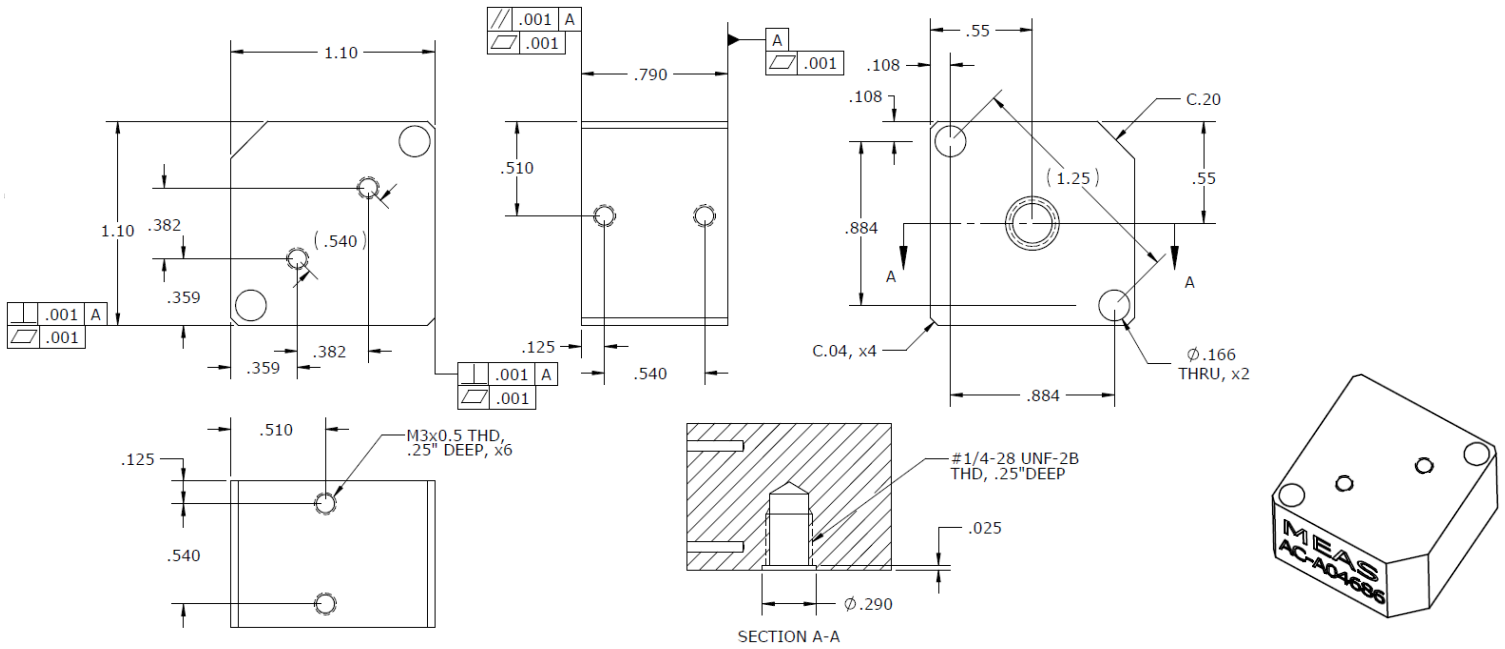


Model: MTG-F3
Used with Accelerometers: EGAS-F
Material: Aluminum, Anodized



Triaxial Mounting Blocks

Model: AC-A04686
Used with Accelerometers: 1207F, 1210F, EGCS-D0
Material: Aluminum, Anodized



ORDERING

NORTH AMERICA

Measurement Specialties, Inc.
1000 Lucas Way
Hampton, VA 23666
USA
Sales and Customer Service
Tel: +1-800-745-8008 or
+1-757-766-1500
Fax: +1-757-766-4297
t&m@meas-spec.com

EUROPE

**Measurement Specialties
(Europe) Ltd.**
26 Rue des Dames
F78340 Les Clayes-sous-Bois
France
Sales and Customer Service
Tel: +33 (0) 1 79 33 00
Fax: +33(0)1 34 81 03 59
t&m@meas-spec.com

ASIA

**Measurement Specialties
(China), Ltd.**
No. 26 Langshan Road
Shenzhen High-Tech Park (North)
Nanshan District
Shenzhen, China 518057
Sales and Customer Service
Tel: +86 755 3330 5088
Fax: +86 755 3330 5099
t&m@meas-spec.com

The information in this sheet has been carefully reviewed and is believed to be accurate; however, no responsibility is assumed for inaccuracies. Furthermore, this information does not convey to the purchaser of such devices any license under the patent rights to the manufacturer. Measurement Specialties, Inc. reserves the right to make changes without further notice to any product herein. Measurement Specialties, Inc. makes no warranty, representation or guarantee regarding the suitability of its product for any particular purpose, nor does Measurement Specialties, Inc. assume any liability arising out of the application or use of any product or circuit and specifically disclaims any and all liability, including without limitation consequential or incidental damages. Typical parameters can and do vary in different applications. All operating parameters must be validated for each customer application by customer's technical experts. Measurement Specialties, Inc. does not convey any license under its patent rights nor the rights of others.